



# TABLE OF CONTENTS

|                    |                              |
|--------------------|------------------------------|
| A-PL-5413673-0-0   | H7150 POWER SUPPLY (PL)      |
| D-CS-5413673-0-0   | H7150 POWER SUPPLY (CS)      |
| D-IA-7016530-0-0   | POWER ENTRY ASSY. (SWITCHER) |
| K-PL-4514001-0-DBP | LA120 KEYBOARD TERMINATOR    |
| D-UA-5414001-0-0   | LA120 KEYBOARD TERMINATOR    |
| D-CS-5414001-1-0   | LA120 KEYBOARD TERMINATOR    |

|       |                  |              |                         |                     |          |
|-------|------------------|--------------|-------------------------|---------------------|----------|
| TITLE | LA120 UNIT ASSY. | SHEET 2 OF 2 | SIZE CODE<br><b>BTC</b> | NUMBER<br>LA120-0-3 | REV<br>C |
|-------|------------------|--------------|-------------------------|---------------------|----------|



| FIND NO. | DRAWING NO.      | DESCRIPTION                              | TYPE | FIND NO. | DRAWING NO. | DESCRIPTION | TYPE |
|----------|------------------|--|------|----------|-------------|-------------|------|
| 1        | B-PL-LA12X-AL-Ø  | 20 MA OPTION PKG.                        | E/M  |          |             |             |      |
|          | C-UA-BCØ5F-Ø-Ø   | CABLE, INTERFACE BCØ5F                   | E/M  |          |             |             |      |
|          | D-IA-7016186-0-0 | HARNESS, INTERNAL 20 MA ADAPTER          | E/M  |          |             |             |      |
|          | B-PL-LA12X-AL    | SHIPPING LIST LA12X-AL                   | -    |          |             |             |      |
| 2        | D-AD-7016059-0-0 | 20 MA ASSY.                              | M    |          |             |             |      |
|          | D-MD-7421168-0-0 | PLATE, INTERFACE                         | M    |          |             |             |      |
| 3        | D-IA-7015273-0-0 | 20 MA ADAPTER ASSY.                      | E/M  |          |             |             |      |
| 4        | B-DD-5413206-0   | 20 MA ADAPTER BOARD                      | E/M  |          |             |             |      |
| 5        | D-IA-7015503-0-0 | 20 MA LOOPBACK CONNECTION                | E    |          |             |             |      |
| 6        | EK-LA12X-IN-ØØ1  | INSTALLATION PROCEDURE, 20 MA OPTION KIT | E/M  |          |             |             |      |

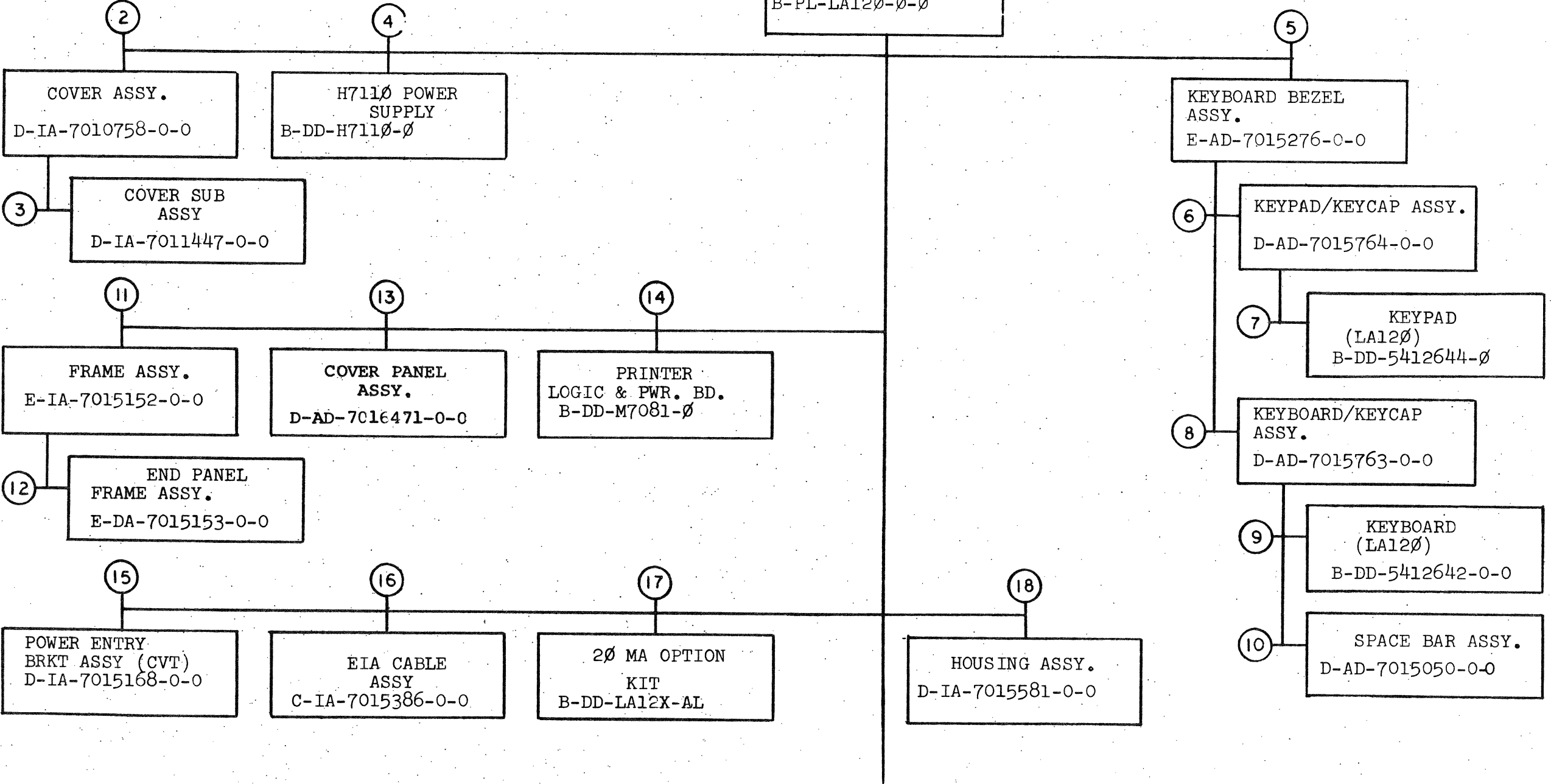
TYPE: E ELECTRICAL  
M MECHANICAL  
E/M ELECTRO/MECHANICAL





"THIS DRAWING AND SPECIFICATIONS, HEREIN, ARE THE PROPERTY OF DIGITAL EQUIPMENT CORPORATION AND SHALL NOT BE REPRODUCED OR COPIED OR USED IN WHOLE OR IN PART AS THE BASIS FOR THE MANUFACTURE OR SALE OF ITEMS WITHOUT WRITTEN PERMISSION. 1978  
 COPYRIGHT © DIGITAL EQUIPMENT CORPORATION"

1  
 LA120 UNIT ASSY.  
 E-UA-LA120-0-0  
 B-PL-LA120-0-0



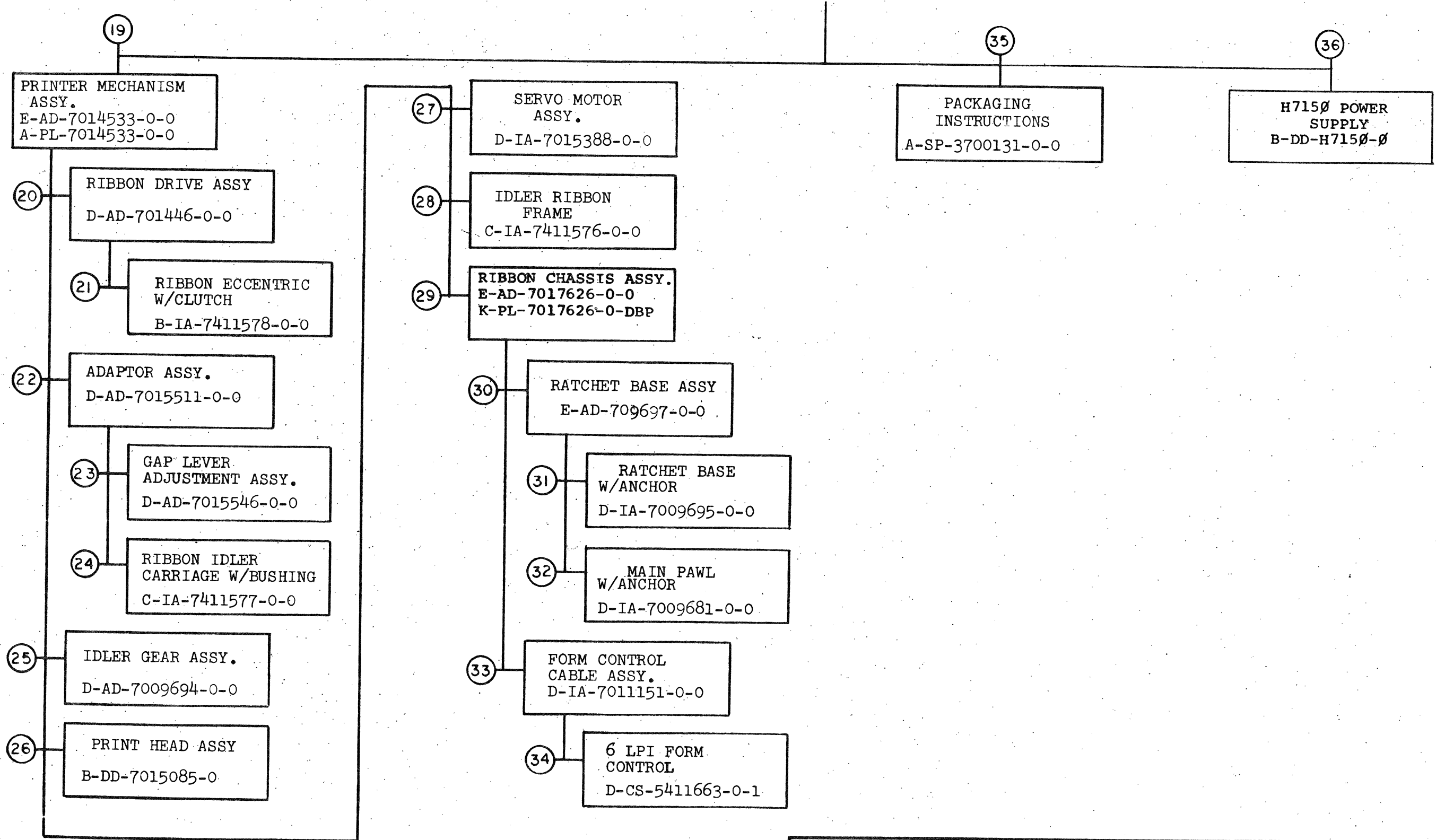
CONTINUED ON SHEET 3

|       |                 |           |      |              |         |     |   |
|-------|-----------------|-----------|------|--------------|---------|-----|---|
| TITLE | LA120 UNIT ASSY | SIZE CODE | B DD | NUMBER       | LA120-0 | REV | F |
|       |                 |           |      | SHEET 2 OF 7 |         |     |   |

"THIS DRAWING AND SPECIFICATIONS, HEREIN, ARE THE PROPERTY OF DIGITAL EQUIPMENT CORPORATION AND SHALL NOT BE REPRODUCED OR COPIED OR USED IN WHOLE OR IN PART AS THE BASIS FOR THE MANUFACTURE OR SALE OF ITEMS WITHOUT WRITTEN PERMISSION. 1978  
 COPYRIGHT © DIGITAL EQUIPMENT CORPORATION"

CONTINUED FROM SHEET 2

REV F LA120-0 NUMBER SIZE B DD



|              |                 |           |      |        |         |     |   |
|--------------|-----------------|-----------|------|--------|---------|-----|---|
| TITLE        | LA120 UNIT ASSY | SIZE CODE | B DD | NUMBER | LA120-0 | REV | F |
| SHEET 3 OF 7 |                 |           |      |        |         |     |   |

PN

| FIND NO. | DRAWING NO.      | DESCRIPTION                         | TYPE | FIND NO. | DRAWING NO.      | DESCRIPTION           | TYPE |
|----------|------------------|-------------------------------------|------|----------|------------------|-----------------------|------|
|          | E-UA-LA120-0-0   | LA120 UNIT ASSY.                    | E/M  | 6        | D-AD-7015764-0-0 | KEYPAD/KEYCAP ASSY.   | E/M  |
|          | B-PL-LA120-0-0   | LA120 UNIT ASSY. (PL)               | E/M  |          | D-PS-1214333-0-0 | KEY CAPS (NUMBERS)    | M    |
|          | B-DD-LA120-0-2   | LA120 BLOCK DIAGRAM                 | E    |          | D-PS-1214332-0-0 | ADAPTOR, KEY CAPS     | M    |
|          | D-IA-7015408-0-0 | HARNESS, LOGIC POWER                | E/M  |          |                  |                       |      |
|          | C-IA-7015552-0-0 | GROUND WIRE - POWER SUPPLY CHASSIS  | E/M  |          |                  |                       |      |
|          | A-PS-1700107-0-0 | HEAD CABLE ASSY.                    | E/M  | 7        | B-DD-5412644-0   | KEYPAD (LA120)        | E/M  |
|          | D-IA-7412158-0-0 | PAPER GUIDE                         | M    |          |                  |                       |      |
|          | C-MD-7412424-0-0 | SWITCH, FORMS REWORK                | M    |          |                  |                       |      |
|          | E-IA-7015387-0-0 | SWITCHES, HARNESS ASSY.             | E/M  |          |                  |                       |      |
|          | A-PS-1700083-0-0 | POWER CORD                          | E/M  | 8        | D-AD-7015763-0-0 | KEYBOARD/KEYCAP ASSY. | E/M  |
|          | A-DC-7412197-0-0 | DECAL, U.L.                         | M    |          | C-MD-7420120-0-0 | CLIP, EQUALIZER       | M    |
|          | A-PS-1700107-0-0 | HEAD CABLE ASSY.                    | E/M  |          | D-PS-1214333-0-0 | KEYCAPS SET           | M    |
|          | D-BD-LA120-0-4   | BLOCK DIAGRAM ( 115-230V 50-60 HZ ) | E    |          | D-PS-1214352-0-0 | ADAPTOR KEYCAP        | M    |
|          |                  |                                     |      |          |                  |                       |      |
|          |                  |                                     |      | 9        | B-DD-5412642-0   | KEYBOARD (LA120)      | E/M  |
|          |                  |                                     |      |          |                  |                       |      |
|          |                  |                                     |      | 10       | D-AD-7015050-0-0 | SPACE BAR ASSY.       | M    |
|          |                  |                                     |      |          | B-MD-7420119-0-0 | BRACKET, SPACE BAR    | M    |
| 2        | D-IA-7010758-0-0 | COVER ASSY.                         | M    |          | E-PS-1211857-0-0 | BAR, SPACE            | M    |
|          | C-MD-7411818-0-0 | CLIP, COVER                         | M    |          | C-PS-1211858-0-0 | BAR, EQUALIZER        | M    |
|          |                  |                                     |      |          | D-PS-1211860-0-0 | ADAPTOR, KEYCAP SET   | M    |
|          |                  |                                     |      |          |                  |                       |      |
|          |                  |                                     |      | 11       | E-IA-7015152-0-0 | FRAME ASSY.           | M    |
| 3        | D-IA-7011447-0-0 | COVER, SUB ASSY.                    | M    |          | E-IA-7420117-0-0 | BASE                  | M    |
|          | E-MD-7411122-0-0 | COVER                               | M    |          | B-MD-7420217-0-0 | BRACKET, FAN MOUNTING | M    |
|          |                  |                                     |      |          | C-MD-7420218-0-0 | PANEL, SHIELDING      | M    |
|          |                  |                                     |      |          | E-IA-7420116-0-0 | HOUSING, COMPONENT    | M    |
|          |                  |                                     |      |          |                  |                       |      |
| 4        | B-DD-H7110-0     | H7110 POWER SUPPLY                  | E/M  |          |                  |                       |      |
|          |                  |                                     |      |          |                  |                       |      |
|          |                  |                                     |      | 12       | E-DA-7015153-0-0 | END PANEL FRAME ASSY. | M    |
| 5        | E-AD-7015276-0-0 | KEYBOARD BEZEL ASSY.                | E/M  |          | C-IA-7411117-0-0 | FOOT FRAME ASSY.      | M    |
|          | E-PS-1214563-0-0 | BEZEL, KEYBOARD                     | M    |          |                  |                       |      |
|          | D-PS-1215053-0-0 | CLOSURE OPTIONS                     | M    |          |                  |                       |      |

TYPE: E ELECTRICAL  
M MECHANICAL  
E/M ELECTRO/MECHANICAL

digital

TITLE

LA120 UNIT ASSY.

SHEET 4 OF 7

SIZE CODE  
B DD

NUMBER  
LA120-0

REV  
F





| FIND NO. | DRAWING NO.      | DESCRIPTION                     | TYPE | FIND NO. | DRAWING NO.                 | DESCRIPTION                         | TYPE         |
|----------|------------------|---------------------------------|------|----------|-----------------------------|-------------------------------------|--------------|
| 22       | D-AD-7015511-0-0 | ADAPTER ASSY.                   | M    | 29       | E-AD-7017626-0-0            | RIBBON CHASSIS ASSY.                | M            |
|          | E-MD-7420634-0-0 | ADAPTER                         | M    |          | D-IA-7417870-0-0            | CHASSIS, RIBBON                     | M            |
|          | B-MD-7420293-0-0 | SPRING, FRONT BEARING           | M    |          | C-MD-7411090-0-0            | SPRING, MAIN PAWL                   | M            |
|          | B-MD-7420641-0-0 | SPRING CARRIAGE                 | M    |          | C-MD-7411105-0-0            | SPRING, UPPER PAWL                  | M            |
|          | B-MD-7411115-0-0 | SHAFT, IDLER CARRIAGE           | M    |          | D-MD-7411048-0-0            | DRIVER SPOOL                        | M            |
|          |                  |                                 |      |          | D-MD-7411432-0-0            | RATCHET, WHEEL                      | M            |
|          |                  |                                 |      |          | B-IA-7411405-0-0            | DISK, FRICTION                      | M            |
|          |                  |                                 |      |          | B-MD-7411098-0-0            | COLLAR, SIDE PLATE                  | M            |
|          |                  |                                 |      |          | B-MD-7411103-0-0            | PIVOT, RATCHET                      | M            |
| 23       | D-AD-7015546-0-0 | GAP LEVER ADJUSTMENT ASSY.      | M    |          | B-MD-7411061-0-0            | WASHER, RATCHET                     | M            |
|          | C-MD-7420633-0-0 | BEARING TUBE (EXTRUDED)         | M    |          | D-MD-7411058-0-0            | INTERPOSER                          | M            |
|          | B-MD-7420422-0-0 | BEARING                         | M    |          | C-MD-7411419-0-0            | GUIDE SHOE                          | M            |
|          | D-MD-7420736-0-0 | LEVER, GAP ADJUSTMENT           | M    |          | D-MD-7411060-0-0            | SENSOR, REVERSE                     | M            |
|          | B-MD-7420605-0-0 | RESERVOIR, OIL                  | M    |          | C-MD-7411087-0-0            | SPRING, INTERPOSER                  | M            |
|          |                  |                                 |      |          | B-MD-7412976-0-0            | CAP, STAND OFF-SPOOL                | E/M          |
|          |                  |                                 |      |          | <del>C-IA-7012781-0-0</del> | <del>SWITCH, ROTARY ASSY.</del>     | <del>M</del> |
|          |                  |                                 |      |          | <del>C-MD-7418875-0-0</del> | <del>PLATE, SWITCH</del>            | <del>M</del> |
|          |                  |                                 |      |          | C-MD-7412977-0-0            | STANDOFF, SPOOL RIBBON              | M            |
| 24       | C-IA-7411577-0-0 | RIBBON IDLER CARRIAGE W/BUSHING | M    |          | B-MD-7416620-0-0            | RETAINING LINE, SPECIAL             | M            |
|          | C-MD-7411102-0-0 | IDLER, CARRIAGE RIBBON          | M    |          | <del>D-IA-7011151-0-0</del> | <del>FORM CONTROL CABLE ASSY.</del> | <del>M</del> |
|          |                  |                                 |      |          | <del>A-DC-7412552-0-0</del> | <del>LABEL VFO SWITCH</del>         | <del>M</del> |
|          |                  |                                 |      |          | <del>A-DC-7416535-0-0</del> | <del>DECAL PARITY SWITCH</del>      | <del>M</del> |
|          |                  |                                 |      |          | D-MD-7424154-0-0            | RIBBON TENSION SPRING               |              |
|          |                  |                                 |      |          | E-MD-7424155-0-0            | SPRING RETAINING BRACKET            |              |
| 25       | D-AD-7009694-0-0 | IDLER GEAR ASSY.                | M    | 30       | E-AD-7009697-0-0            | RATCHET BASE ASSY.                  | M            |
|          | B-MD-7411420-0-0 | BRACKET, GEAR                   | M    |          | D-MD-7411054-0-0            | RATCHET, UPPER BASE                 | M            |
|          | C-MD-7416219-0-0 | STAND OFF GEAR                  | M    |          | B-MD-7411063-0-0            | PAWL, PIVOT                         | M            |
|          |                  |                                 |      |          |                             |                                     |              |
| 26       | B-DD-7015085-0   | PRINT HEAD ASSY.                | E/M  |          |                             |                                     |              |
|          |                  |                                 |      |          |                             |                                     |              |
|          |                  |                                 |      |          |                             |                                     |              |
| 27       | D-IA-7015388-0-0 | SERVO MOTOR ASSY.               | E/M  | 31       | C-IA-7009695-0-0            | RATCHET BASE W/ANCHOR               | M            |
|          | D-MD-7416402-0-0 | CLAMP, PULLEY                   | M    |          | D-MD-7411055-0-0            | BASE, RATCHET                       | M            |
|          |                  |                                 |      |          | B-MD-7411104-0-0            | ANCHOR, SPRING                      | M            |
|          |                  |                                 |      |          |                             |                                     |              |
|          |                  |                                 |      |          |                             |                                     |              |
| 28       | C-IA-7011576-0-0 | IDLER, RIBBON FRAME             | M    | 32       | D-IA-7009681-0-0            | MAIN PAWL W/ANCHOR                  | M            |
|          | D-MD-7411085-0-0 | IDLER, FRAME RIBBON             | M    |          | D-MD-7411059-0-0            | PAWL, MAIN                          | M            |
|          |                  |                                 |      |          | B-MD-7411104-0-0            | ANCHOR, SPRING                      | M            |
|          |                  |                                 |      |          |                             |                                     |              |
|          |                  |                                 |      |          |                             |                                     |              |

TYPE: E ELECTRICAL  
M MECHANICAL  
E/M ELECTRO/MECHANICAL



TITLE LA12Ø UNIT ASSY. SHEET 6 OF 7 SIZE CODE B DD NUMBER LA12Ø-Ø REV F

*Handwritten mark*

| FIND NO. | DRAWING NO.      | DESCRIPTION                    | TYPE | FIND NO. | DRAWING NO. | DESCRIPTION | TYPE |
|----------|------------------|--------------------------------|------|----------|-------------|-------------|------|
| 33       | D-IA-7011151-0-0 | FORM CONTROL CABLE ASSY.       | E/M  |          |             |             |      |
| 34       | D-CS-5411663-0-1 | 6 LPI FORM CONTROL             | E/M  |          |             |             |      |
| 35       | A-SP-3700131-00  | PACKAGING INSTRUCTIONS         | M    |          |             |             |      |
|          | A-PS-9905651-0-0 | SKID, WOOD                     | M    |          |             |             |      |
|          | A-PS-9905601-00  | TUBE, STITCHED                 | M    |          |             |             |      |
|          | A-PS-9905639-0-0 | PAD WITH FORM (LA36/LA35 ONLY) | M    |          |             |             |      |
|          | A-PS-9905651-01  | BRACE, WOOD                    | M    |          |             |             |      |
|          | 9009290-03       | BOLT, HEX-HEAD 3/8-16 x 3      | M    |          |             |             |      |
|          | A-PS-3612520-0-0 | TAG, CAUTION                   | M    |          |             |             |      |
|          | A-PS-9009634-0-0 | TAPE, STAIN RESISTANT          | M    |          |             |             |      |
|          | A-PS-9007032-0-0 | TIE, CABLE PANDUIT             | M    |          |             |             |      |
|          | A-PS-9905734-02  | STRAPPING, POLYPROPYLENE       | M    |          |             |             |      |
|          | A-PS-9008319-0-0 | WASHER, FLAT                   | M    |          |             |             |      |
|          | A-PS-9905129-33  | BAG, POLY                      | M    |          |             |             |      |
| 36       | B-DD-H715Ø-Ø     | H715Ø POWER SUPPLY             | E/M  |          |             |             |      |

TYPE: E ELECTRICAL  
M MECHANICAL  
E/M ELECTRO/MECHANICAL



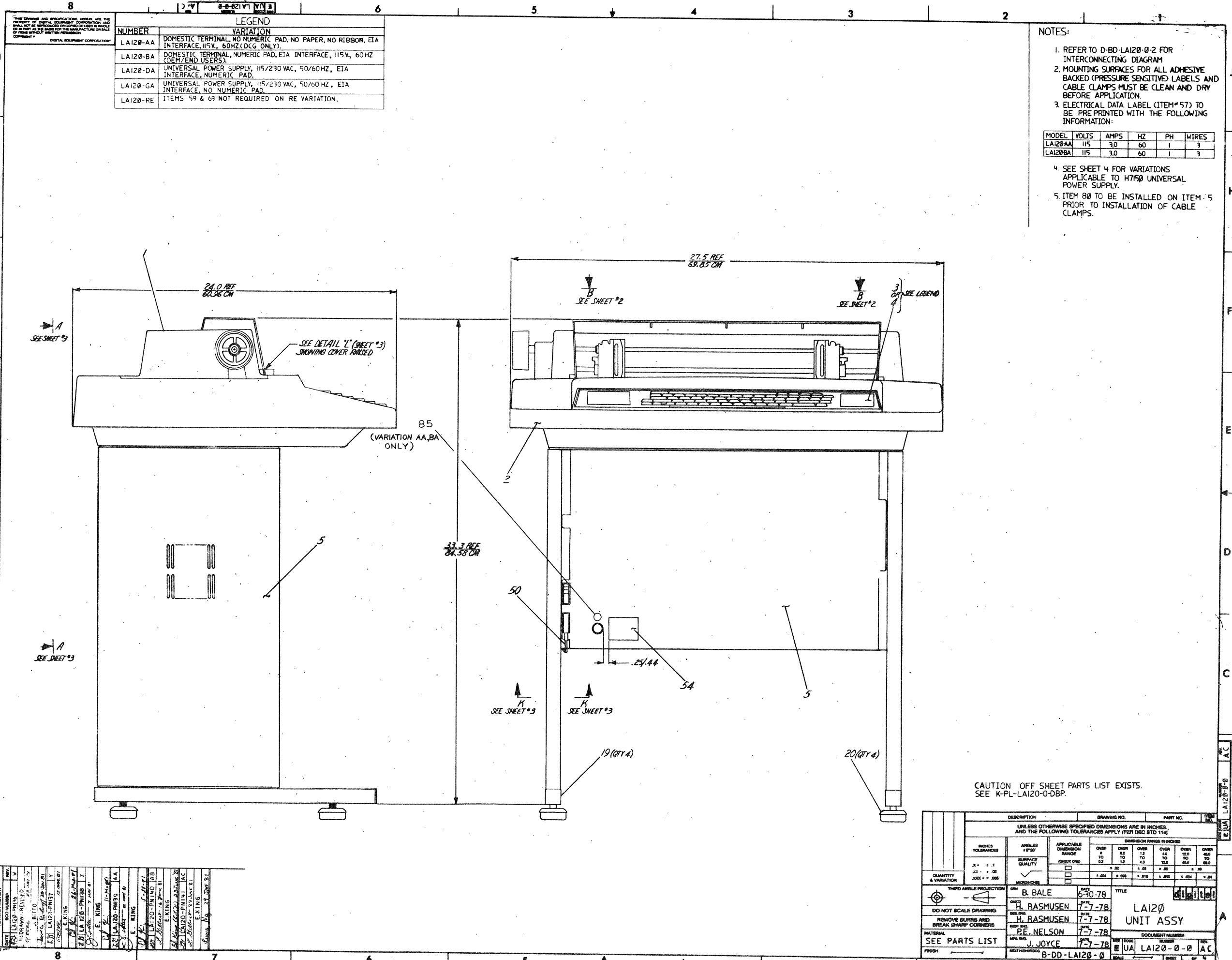
TITLE LA12Ø UNIT ASSY.

SHEET 7 OF 7

SIZE CODE  
**B DD**

NUMBER  
LA12Ø - Ø

REV  
**F**



| LEGEND   |  |
|----------|--|
| NUMBER   | VARIATION  |
| LA120-AA | DOMESTIC TERMINAL, NO NUMERIC PAD, NO PAPER, NO RIBBON, EIA INTERFACE, 115V, 60HZ (DCG ONLY) |
| LA120-BA | DOMESTIC TERMINAL, NUMERIC PAD, EIA INTERFACE, 115V, 60HZ (OEM/END USERS)                    |
| LA120-DA | UNIVERSAL POWER SUPPLY, 115/230 VAC, 50/60HZ, EIA INTERFACE, NUMERIC PAD                     |
| LA120-GA | UNIVERSAL POWER SUPPLY, 115/230 VAC, 50/60 HZ, EIA INTERFACE, NO NUMERIC PAD                 |
| LA120-RE | ITEMS 59 & 69 NOT REQUIRED ON RE VARIATION.  |

- NOTES:
- REFER TO D-BD-LA120-0-2 FOR INTERCONNECTING DIAGRAM
  - MOUNTING SURFACES FOR ALL ADHESIVE BACKED (PRESSURE SENSITIVE) LABELS AND CABLE CLAMPS MUST BE CLEAN AND DRY BEFORE APPLICATION.
  - ELECTRICAL DATA LABEL (ITEM #57) TO BE PRE-PRINTED WITH THE FOLLOWING INFORMATION:
- | MODEL   | VOLTS | AMPS | HZ | PH | WIRES |
|---------|-------|------|----|----|-------|
| LA120AA | 115   | 3.0  | 60 | 1  | 3     |
| LA120BA | 115   | 3.0  | 60 | 1  | 3     |
- SEE SHEET 4 FOR VARIATIONS APPLICABLE TO H7750 UNIVERSAL POWER SUPPLY.
  - ITEM 80 TO BE INSTALLED ON ITEM 5 PRIOR TO INSTALLATION OF CABLE CLAMPS.

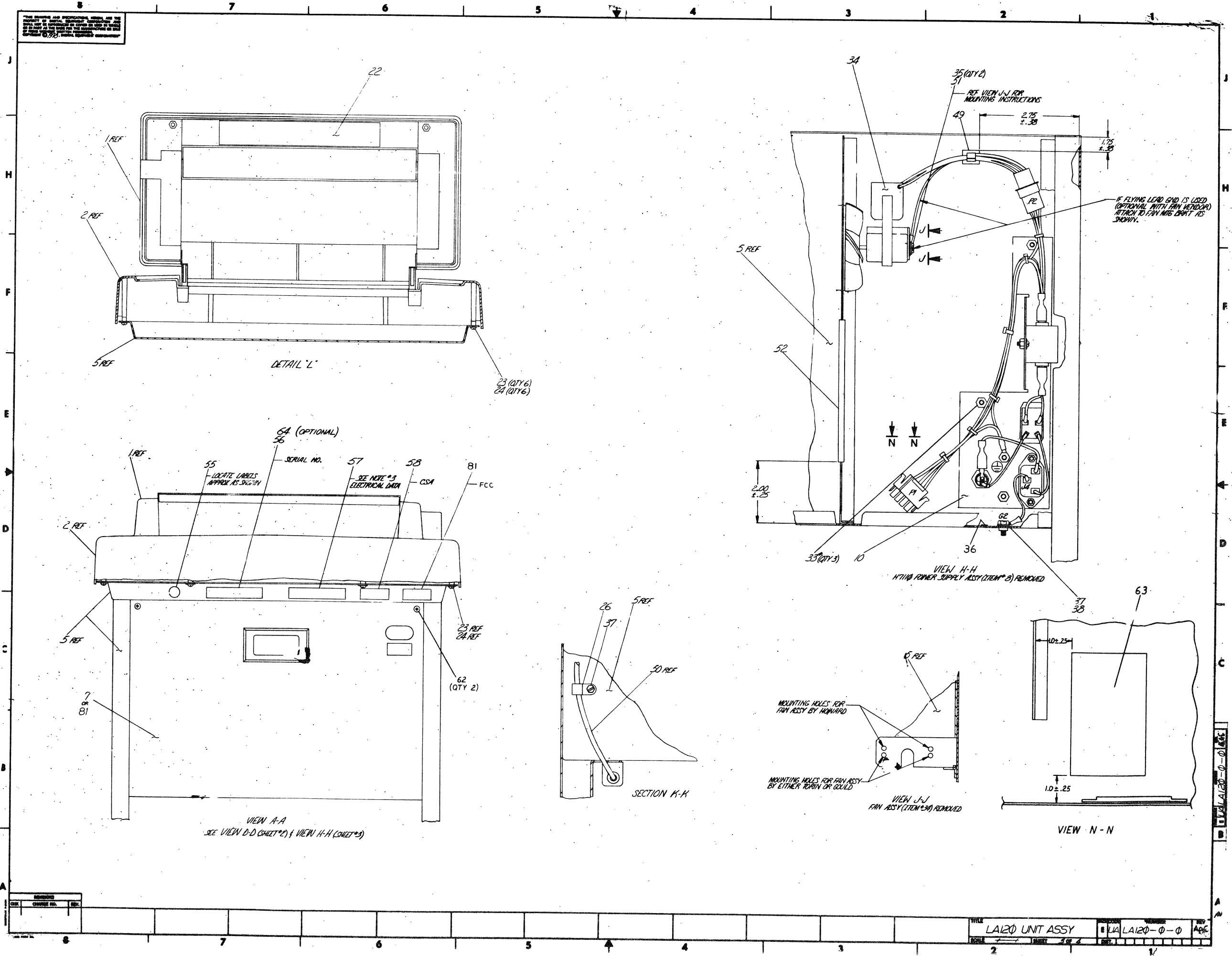
| REV | DESCRIPTION | DATE     |
|-----|-------------|----------|
| 1   | LA120-PN150 | 11-24-77 |
| 2   | LA120-PN150 | 11-24-77 |
| 3   | LA120-PN150 | 11-24-77 |
| 4   | LA120-PN150 | 11-24-77 |
| 5   | LA120-PN150 | 11-24-77 |
| 6   | LA120-PN150 | 11-24-77 |
| 7   | LA120-PN150 | 11-24-77 |
| 8   | LA120-PN150 | 11-24-77 |

CAUTION OFF SHEET PARTS LIST EXISTS. SEE K-PL-LA120-0-DBP.

| DESCRIPTION   |                    | DRAWING NO.                | PART NO.        | REV.            |
|---|--------------------|----------------------------|-----------------|-----------------|
| UNLESS OTHERWISE SPECIFIED DIMENSIONS ARE IN INCHES. AND THE FOLLOWING TOLERANCES APPLY (PER DEC STD 114) |                    |                            |                 |                 |
| RICHES TOLERANCES   | ANGLES ±0°30'      | DIMENSION RANGES IN INCHES |                 |                 |
| APPLICABLE DIMENSION RANGE  |                    | OVER 0 TO 0.2              | OVER 0.2 TO 1.2 | OVER 1.2 TO 3.0 |
| SURFACE QUALITY (CHECK ONE)   |                    | ±.005                      | ±.008           | ±.010           |
| QUANTITY & VARIATION  |                    | ±.015                      | ±.020           | ±.025           |
| THIRD ANGLE PROJECTION  | DATE               | TITLE                      |                 |                 |
| DO NOT SCALE DRAWING  | B. BALE 6-30-78    | LA120 UNIT ASSY            |                 |                 |
| REMOVE BURRS AND BREAK SHARP CORNERS  | H. RASMUSEN 7-7-78 |                            |                 |                 |
| MATERIAL  | P.E. NELSON 7-7-78 |                            |                 |                 |
| SEE PARTS LIST  | J. JOYCE 7-7-78    |                            |                 |                 |
| FINISH  | B-DD-LA120-0       |                            |                 |                 |



THE DRAWING AND SPECIFICATIONS SHALL BE THE PROPERTY OF BENTON ELECTRONIC CORPORATION AND SHALL BE RETURNED TO THE COMPANY OR TO THE OFFICE OF THE GENERAL MANAGER OF THE COMPANY AT THE TIME OF THE DELIVERY OF THE GOODS OR SERVICES ORDERED BY THE COMPANY.



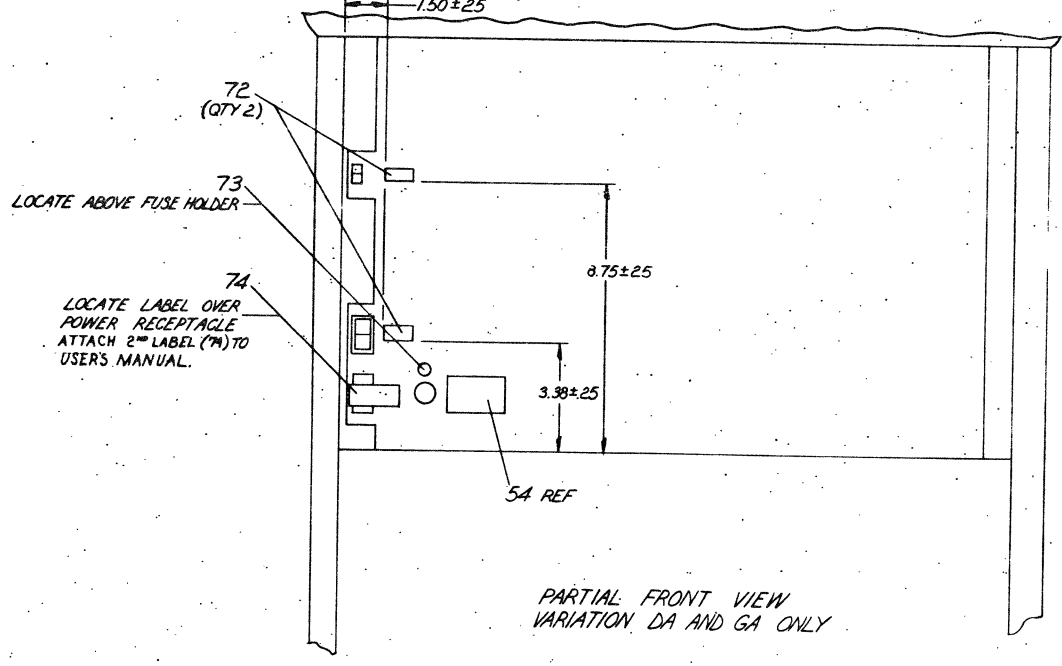
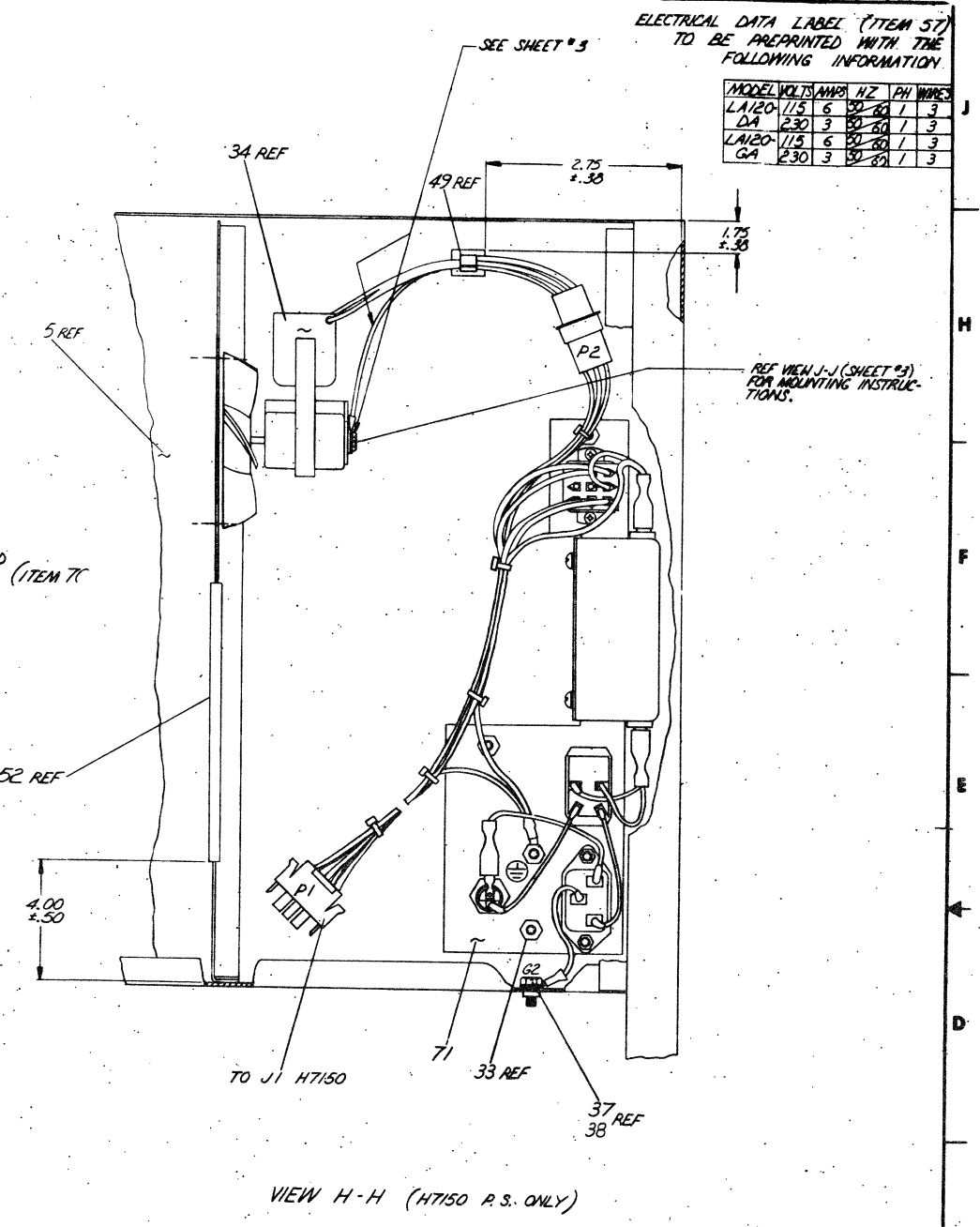
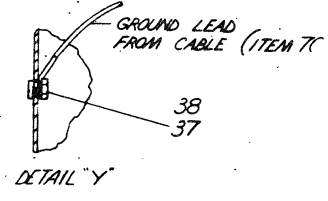
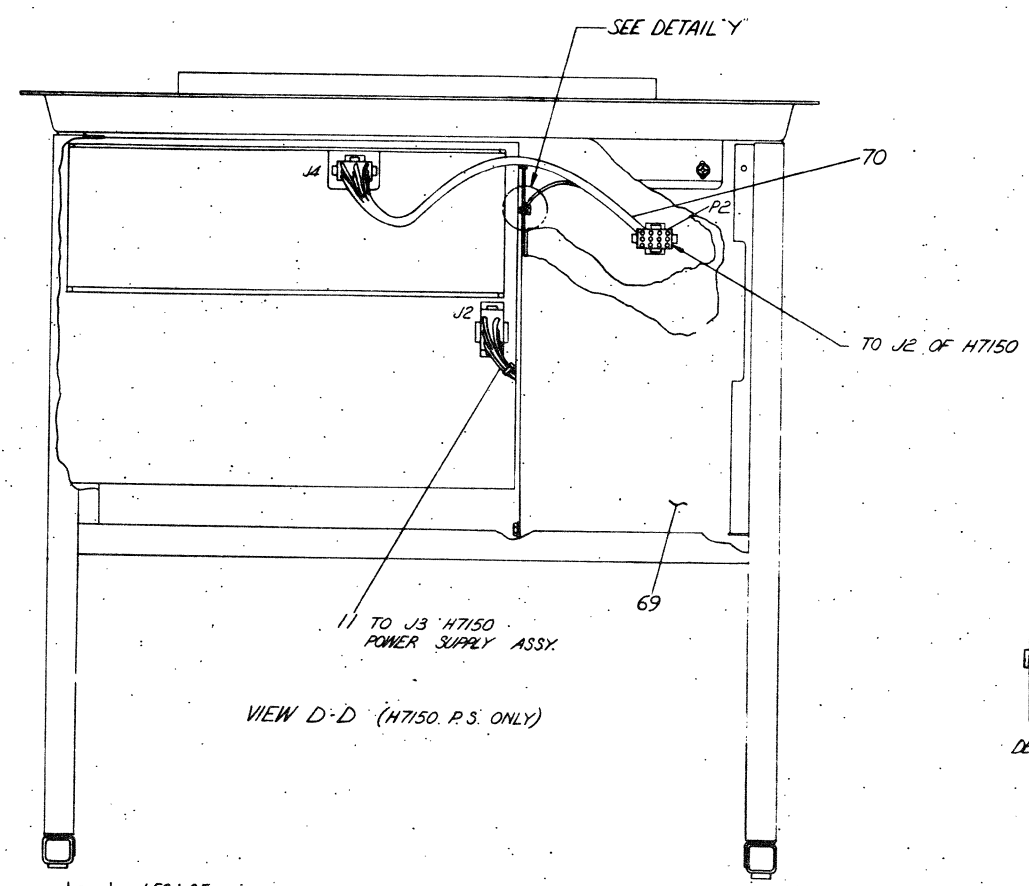
| REV. | DESCRIPTION | DATE |
|------|-------------|------|
|      |             |      |
|      |             |      |

|       |                 |        |     |
|-------|-----------------|--------|-----|
| TITLE | LA120 UNIT ASSY | REV.   | APC |
| SCALE | AS SHOWN        | DESIGN |     |
| SHEET | 2 OF 4          | DATE   |     |

THESE DRAWINGS AND SPECIFICATIONS ARE THE PROPERTY OF BUNNEN ELECTRONIC COMPANY AND SHALL NOT BE REPRODUCED OR USED IN WHOLE OR IN PART FOR ANY OTHER PROJECT OR DRAWING WITHOUT THE WRITTEN CONSENT OF BUNNEN ELECTRONIC COMPANY.

ELECTRICAL DATA LABEL (ITEM 57) TO BE PREPRINTED WITH THE FOLLOWING INFORMATION

| MODEL    | VOLTS | WATTS | Hz    | PH | WIRES |
|----------|-------|-------|-------|----|-------|
| LA120-DA | 115   | 6     | 50/60 | 1  | 3     |
| LA120-GA | 230   | 3     | 50/60 | 1  | 3     |
| LA120-DA | 115   | 6     | 50/60 | 1  | 3     |
| LA120-GA | 230   | 3     | 50/60 | 1  | 3     |



| REV | DESCRIPTION |
|-----|-------------|
|     |             |

| LINE | ITEM | DOCUMENT NUMBER  | PART NUMBER | DESCRIPTION                      | QUANTITY PER VARIATION |    |    |    |    |
|------|------|------------------|-------------|----------------------------------|------------------------|----|----|----|----|
|      |      |                  |             |                                  | AA                     | BA | DA | GA | RE |
| 1    | 1    | D-IA-7010758-0-0 | 7010758-00  | COVER ASSY DOC LA180/120         | 1                      | 1  | 1  | 1  | 1  |
| 2    | 2    | D-IA-7015581-0-0 | 7015581-00  | HOUSING ASSY,LA120               | 1                      | 1  | 1  | 1  | 1  |
| 3    | 3    | E-AD-7015276-0-0 | 7015276-00  | KEYBOARD BEZEL ASSY              | 1                      | -  | -  | 1  | -  |
| 4    | 4    | E-AD-7015276-0-0 | 7015276-01  | KEYBOARD BEZEL                   | -                      | 1  | 1  | -  | -  |
| 5    | 5    | E-IA-7015152-0-0 | 7015152-00  | FRAME ASSY                       | 1                      | 1  | 1  | 1  | 1  |
| 6    | 6    | E-AD-7014533-0-0 | 7014533-00  | PRINTER MECHANISM LA120          | 1                      | 1  | 1  | 1  | 1  |
| 7    | 7    | D-AD-7016471-0-0 | 7016471-00  | DOOR,LA120                       | 1                      | 1  | -  | -  | 1  |
| 8    | 8    | E-UA-H7110-0-0   | H7110-00    | LA120 PS, 115/230VAC             | 1                      | 1  | -  | -  | 1  |
| 9    | 9    | E-UA-M7081-0-0   | M7081-00    | PRINTER LOGIC AND POWER BOARD    | 1                      | 1  | 1  | 1  | 1  |
| 10   | 10   | D-IA-7015168-0-0 | 7015168-00  | POWER ENTRY BRKT ASSY (CV)       | 1                      | 1  | -  | -  | 1  |
| 11   | 11   | D-IA-7015408-0-0 | 7015408-00  | LOGIC POWER CABLE ASSY           | 1                      | 1  | 1  | 1  | 1  |
| 12   | 12   | C-IA-7015552-0-0 | 7015552-00  | WIRE, GROUND PWR SUPPLY CHASSIS  | 1                      | 1  | 1  | 1  | 1  |
| 13   | 13   | C-IA-7015386-0-0 | 7015386-0J  | EIA CABLE (LA120)                | 1                      | 1  | 1  | 1  | 1  |
| 14   | 14   | A-SP-3700131-0-0 | 3700131-00  | PACKAGING INSTRUCTIONS DECRITER  | 1                      | 1  | 1  | 1  | 1  |
| 15   | 15   | E-IA-7015387-0-0 | 7015387-00  | SWITCHES HARNESS ASSY            | 1                      | 1  | 1  | 1  | 1  |
| 16   | 16   | D-IA-7412158-0-0 | 7412158-00  | GUIDE PAPER (LA180-P)            | 1                      | 1  | 1  | 1  | 1  |
| 17   | 17   | B-MD-7412424-0-0 | 7412424-00  | PAPER OUT SWITCH                 | 1                      | 1  | 1  | 1  | 1  |
| 18   | 18   |                  | 1700107-01  | CABLE,ASSY,24 COND. 16POS        | 1                      | 1  | 1  | 1  | 1  |
| 19   | 19   |                  | 1211067-02  | TUBING CLOSURE ID=15GAUGE        | 4                      | 4  | 4  | 4  | 4  |
| 20   | 20   |                  | 9009685-00  | FOOT, LEVELER, 1-7/16 LG.        | 4                      | 4  | 4  | 4  | 4  |
| 21   | 21   |                  | 9008896-00  | NUT,WELL 10-32 BR IN             | 4                      | 4  | 4  | 4  | 4  |
| 22   | 22   |                  | 7416178-00  | DECAL (LA180)                    | 1                      | 1  | 1  | 1  | 1  |
| 23   | 23   |                  | 9009630-01  | SCREW,TAPPING,TYPE BF,PAN ,PHIL, | 6                      | 6  | 6  | 6  | 6  |
| 24   | 24   |                  | 9006653-00  | WASHER, FLAT, .375 O.D. X .156 I | 6                      | 6  | 6  | 6  | 6  |
| 25   | 25   |                  | 9009301-00  | NUT, SPEED, 6-32X.44LGX.28WIDE X | 1                      | 1  | 1  | 1  | 1  |
| 26   | 26   |                  | 9007082-00  | CLAMP,CABLE,SCREW HTD. 5/16"     | 1                      | 1  | 1  | 1  | 1  |
| 27   | 27   |                  | 9008033-01  | SCREW,PAN,PHIL 4-40X 9/16 SS     | 2                      | 2  | 2  | 2  | 2  |
| 28   | 28   |                  | 9006557-00  | NUT,KEP , 4-40X 1/4 AF           | 3                      | 3  | 3  | 3  | 3  |
| 29   | 29   |                  | 1215050-00  | SPEAKER,2.5"DIA,8OHM,ROUND       | 1                      | 1  | 1  | 1  | 1  |
| 30   | 30   | A-EK-LA120-R-G   |             | REF.CARD,OPERATOR LA120          | 1                      | 1  | 1  | 1  | 1  |

| REVISION HISTORY |             |     | BASIC PART NO: LA120     |  | DRN:             | D. BRIDGERS | DATE:                | 11-JAN-80 |  |  |  | DIGITAL                 |    |             |    |
|------------------|-------------|-----|--------------------------|--|------------------|-------------|----------------------|-----------|--|--|--|-------------------------|----|-------------|----|
| ENG!             | ECO NUMBER  | REV | SECTION A OF A           |  | CHK'D:           | L. GILBERT  | DATE:                | 11-JAN-80 |  |  |  | PARTS LIST              |    |             |    |
| ---              | INITIAL     | T   | SECTION. VARIATION INDEX |  | CHK'D:           | L. GILBERT  | DATE:                | 11-JAN-80 |  |  |  | TITLE PARTS LIST        |    |             |    |
| JB               | LA120-PN133 | U   | [A] AA,BA,DA,GA,RE       |  |                  |             |                      |           |  |  |  | LA120 UNIT ASSY         |    |             |    |
| JB               | LA120-PN134 | V   |                          |  |                  |             |                      |           |  |  |  |                         |    |             |    |
| JB               | LA120-PN135 | W   | [B]                      |  | DES.ENG.:        | H. RASMUSEN | DATE:                | 07-JUL-78 |  |  |  |                         |    |             |    |
| EK               | LA120-PN137 | Y   |                          |  |                  |             |                      |           |  |  |  |                         |    |             |    |
| JB               | LA120-PN138 | Z   | [C]                      |  |                  |             |                      |           |  |  |  | DOCUMENT NUMBER         |    |             |    |
| JB               | LA120-PN139 | AA  |                          |  | RESP.ENG.:       | P. NELSON   | DATE:                | 07-JUL-78 |  |  |  |                         |    |             |    |
| JB               | LA120-PN140 | AB  | [D]                      |  |                  |             |                      |           |  |  |  | SIZE!CODE! NUMBER ! REV |    |             |    |
| EK               | LA120-PN141 | AC  |                          |  |                  |             |                      |           |  |  |  |                         |    |             |    |
|                  |             |     | [E]                      |  | MFG.ENG.:        | J. JOYCE    | DATE:                | 07-JUL-78 |  |  |  | K                       | PL | LA120-0-DBP | AC |
|                  |             |     | [F]                      |  | ASSEMBLY NUMBER: |             | TOP DOCUMENT NUMBER: |           |  |  |  | FILE NAME:              |    | EDIT #      |    |
|                  |             |     |                          |  | E-UA-LA120-0-0   |             | B-DD-LA120-0-0       |           |  |  |  | Z120AC.PLS              |    | 17          |    |

THIS DRAWING AND SPECIFICATIONS HEREIN, ARE THE PROPERTY OF DIGITAL EQUIPMENT CORPORATION AND SHALL NOT BE REPRODUCED OR COPIED OR USED IN WHOLE OR IN PART AS THE BASIS FOR THE MANUFACTURE OR SALE OF ITEMS WITHOUT WRITTEN PERMISSION. COPYRIGHT (C) 1981. DIGITAL EQUIPMENT CORPORATION



| LINE | ITEM | DOCUMENT NUMBER  | PART NUMBER | DESCRIPTION                      | QUANTITY PER VARIATION |    |    |    |    |
|------|------|------------------|-------------|----------------------------------|------------------------|----|----|----|----|
|      |      |                  |             |                                  | AA                     | BA | DA | GA | RE |
| 31   | 31   |                  | 9006453-00  | SCREW,HEX,SLOT,SEMS 6-32X .375L  | 4                      | 4  | 4  | 4  | 4  |
| 32   | 32   | A-EK-LA120-U-G   |             | GUIDE,USER LA120                 | 1                      | 1  | 1  | 1  | 1  |
| 33   | 33   |                  | 9006563-00  | NUT,KEP , 8-32 X11/32AF          | 3                      | 3  | 3  | 3  | 3  |
| 34   | 34   |                  | 1212581-00  | FAN, 35CFM,115VAC,3"DIA          | 1                      | 1  | 1  | 1  | 1  |
| 35   | 35   |                  | 9009985-00  | SCREW,HEX,SLOT,SEMS 10-32X .312L | 2                      | 2  | 2  | 2  | 2  |
| 36   | 36   |                  | 3612680-03  | DECAL, GROUND SIGN W/CIRCLE,WHT  | 1                      | 1  | 1  | 1  | 1  |
| 37   | 37   |                  | 9009988-08  | SCREW, SEMS,SLOTTED HEX HD 8-32  | 12                     | 12 | 12 | 12 | 12 |
| 38   | 38   |                  | 9008072-00  | WASHER, LOCK, EXTERNAL TOOTH #8  | 8                      | 8  | 8  | 8  | 8  |
| 39   | 39   | D-IA-7016747-0-0 | 7016747-02  | ASSY.KEYBOARD COVER CHARCOAL DEC | -                      | -  | -  | -  | 1  |
| 40   | 40   |                  | 9009988-04  | SCREW, SEMS, SLOTTED HEX HD 10-  | 4                      | 4  | 4  | 4  | 4  |
| 41   | 41   | D-UA-5414001-0-0 | 5414001-00  | LA120 KEYBOARD TERMINATOR        | -                      | -  | -  | -  | 1  |
| 42   | 42   |                  | 3612680-01  | DECAL, GROUND SIGN PER 3S6 *     | 3                      | 3  | 3  | 3  | 3  |
| 43   | 43   |                  | 1214563-00  | BEZEL,PLASTIC MOLDED FOR KEYBD A | -                      | -  | -  | -  | 1  |
| 44   | 44   |                  | 9006020-01  | SCREW,PAN,PHIL 6-32X 1/4 SS      | 1                      | 1  | 1  | 1  | 1  |
| 45   | 45   |                  | 9009718-02  | GROMMET, EXTRUDED, 2-3/4 LONG    | 1                      | 1  | -  | -  | 1  |
| 46   | 46   |                  | 9009988-12  | SCREW,SEMS,SLOT,HEX HD 6-32X .2  | 3                      | 3  | 3  | 3  | 3  |
| 47   | 47   |                  | 9009988-13  | SCREW,SEMS,SLOT,HEX HD 6-32X .4  | 4                      | 4  | 4  | 4  | 4  |
| 48   | 48   |                  | 9009636-00  | CLAMP, CABLE, FOR FLAT CABLE     | 8                      | 8  | 8  | 8  | 8  |
| 49   | 49   |                  | 9008340-00  | CLIP,PVC HARNESS, DESKLASP,1/2"W | 4                      | 4  | 4  | 4  | 4  |
| 50   | 50   |                  | 1700083-07  | PWR CORD,TERM, 75IN,16-3,125V 13 | 1                      | 1  | 1  | 1  | 1  |
| 51   | 51   |                  | 9007651-00  | WASHER, LOCK, EXTERNAL TOOTH #10 | 1                      | 1  | 1  | 1  | 1  |
| 52   | 52   |                  | 9009718-04  | GROMMET, EXTRUDED, 5.5LONG       | 1                      | 1  | 1  | 1  | 1  |
| 53   | 53   |                  | 9000021-02  | BUSHING,SNAP,NYLON 2 M6THOLE     | 2                      | 2  | 2  | 2  | 2  |
| 54   | 54   |                  | 3615811-00  | LABEL,FUSE WARNING,BLACK FOR LA1 | 1                      | 1  | 1  | 1  | 1  |
| 55   | 55   | A-DC-7416197-0-0 | 7416197-02  | DECAL-UL LISTED EDP              | 1                      | 1  | 1  | 1  | 1  |
| 56   | 56   |                  | 3613210-02  | LABEL,ELECTRICAL DATA            | 1                      | 1  | 1  | 1  | 1  |
| 57   | 57   |                  | 3613210-01  | LABEL,ELECTRICAL DATA            | 1                      | 1  | 1  | 1  | 1  |
| 58   | 58   |                  | 3613211-00  | DECAL,CLEAR PREPRINTED CSA 1-1/4 | 1                      | 1  | 1  | 1  | 1  |
| 59   | 59   |                  | 3615918-00  | LABEL,SET UP COMMAND,LA120       | 1                      | 1  | 1  | 1  | -  |
| 60   | 60   |                  | 9000096-00  | *** THIS ITEM IS NOT USED ***    | -                      | -  | -  | -  | -  |
| 61   | 61   |                  | 9007834-00  | TAPE, DOUBLE COATED, 1/2" WIDE,  | 1                      | 1  | 1  | 1  | 1  |
| 62   | 62   |                  | 9009683-01  | SCREW, HEX WASHER HD. 8-32X3/8   | 2                      | 2  | 2  | 2  | 2  |
| 63   | 63   |                  | 1212461-00  | FOAM,ACOUSTIC,ADH BACK,3.0X4.5X. | 1                      | 1  | 1  | 1  | -  |
| 64   | 64   | A-SP-3613209-0-0 | 3613209-00  | *** THIS ITEM IS NOT USED ***    | -                      | -  | -  | -  | -  |
| 65   | 65   |                  | 3612153-00  | RIBBON,PRINTER .500"X60"LA180 NY | -                      | 1  | 1  | -  | 1  |
| 66   | 66   |                  | 1212008-00  | SPOOL,PRINTER RIBBON,LA180,3.75" | 1                      | 1  | 1  | 1  | 1  |
| 67   | 67   |                  | 7412103-00  | PAPER PRPKG 132 COL 147/8W-11LG  | -                      | 1  | 1  | -  | 1  |
| 68   | 68   |                  | 9905129-03  | /REPLACED-BY 99-05128-36 HK      | 1                      | 1  | 1  | 1  | 1  |
| 69   | 69   |                  | 3616786-00  | LABEL,ECO STATUS FOR LA120       | 1                      | 1  | 1  | 1  | 1  |
| 70   | 70   | E-UA-H7150-0-0   | H7150-00    | _A120 PS: +24V 2.4A,-24V 2.8A,+5 | -                      | -  | 1  | 1  | -  |
| 71   | 71   | D-IA-7016537-0-0 | 7016537-00  | CABLE ASSY POWER SUPPLY (POWER)  | -                      | -  | 1  | 1  | -  |
| 72   | 72   | D-IA-7016530-0-0 | 7016530-00  | POWER ENTRY ASSY "SWITCHER"      | -                      | -  | 1  | 1  | -  |
| 73   | 73   |                  | 3615759-00  | LABEL,VOLTAGE SETTING FOR VT100  | -                      | -  | 2  | 2  | -  |
| 74   | 74   |                  | 3616040-00  | LABEL,250V 5A FOR LA120          | -                      | -  | 2  | 2  | -  |
| 75   | 75   |                  | 3616157-00  | LABEL,CORRECT VOLTAGE SETTING,CA | -                      | -  | 1  | 1  | -  |
| 76   | 76   |                  | 9009643-00  | SCREW,PAN,PHIL,SEMS 4-40X .375L  | 1                      | 1  | 1  | 1  | 1  |
| 77   | 77   | A-SP-3613209-0-0 | 3613209-02  | *** THIS ITEM IS NOT USED ***    | -                      | -  | -  | -  | -  |
| 78   | 78   | A-EK-LA120-U-G   |             | GUIDE,USER LA120                 | 1                      | 1  | 1  | 1  | 1  |

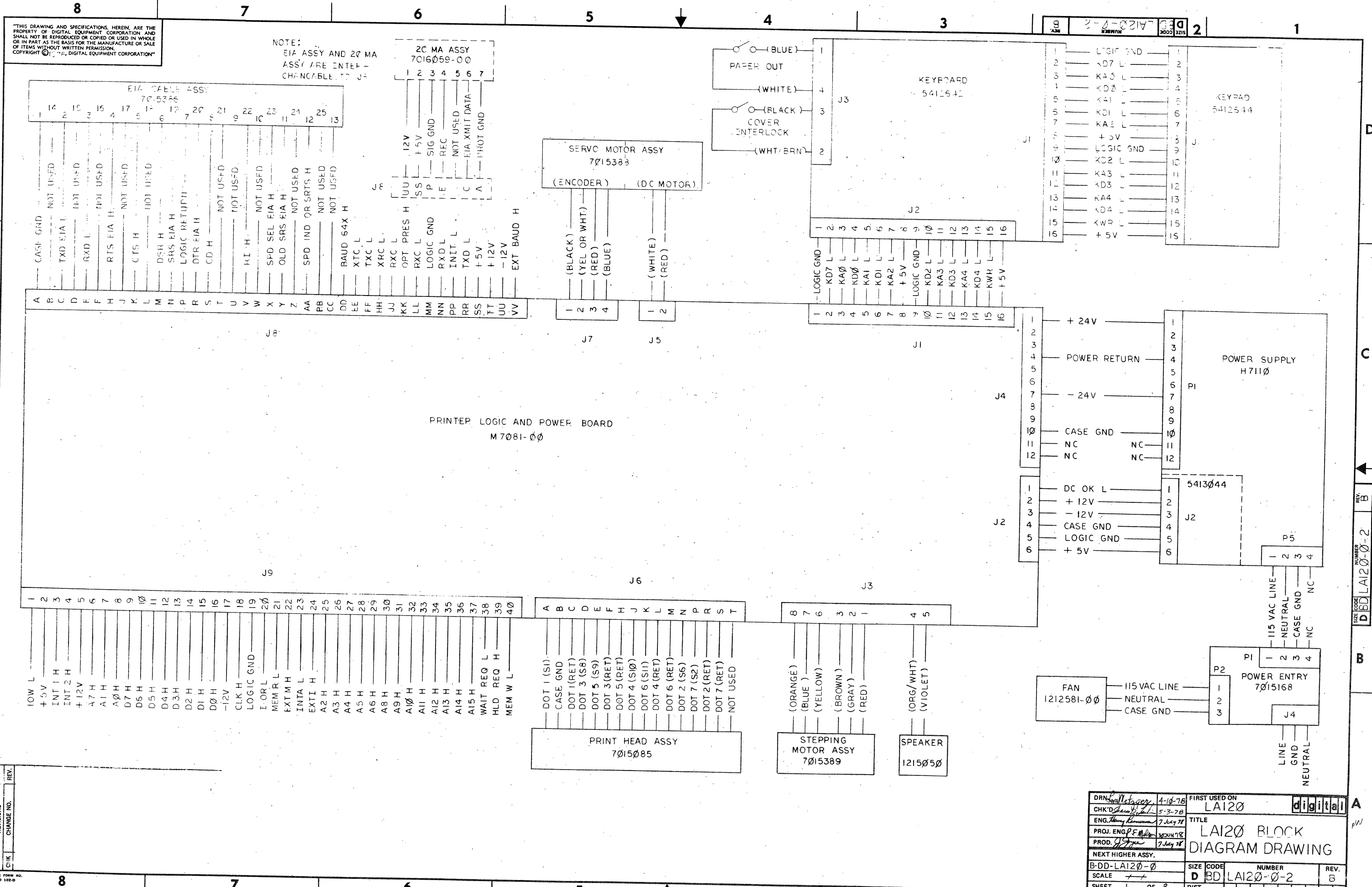
14127 4112 MOORE BUSINESS FORMS, INC.

|                 |                 |                 |                 |                 |                 |                 |                 |                 |                 |
|-----------------|-----------------|-----------------|-----------------|-----------------|-----------------|-----------------|-----------------|-----------------|-----------------|
| ! ! ! ! ! ! ! ! | TITLE           | ! ! ! ! ! ! ! ! | ! ! ! ! ! ! ! ! | ! ! ! ! ! ! ! ! | ! ! ! ! ! ! ! ! | ! ! ! ! ! ! ! ! | ! ! ! ! ! ! ! ! | ! ! ! ! ! ! ! ! | ! ! ! ! ! ! ! ! |
| ! ! ! ! ! ! ! ! | LA120 UNIT ASSY | ! ! ! ! ! ! ! ! | SECTION A       | ! ! ! ! ! ! ! ! | OF A            | ! ! ! ! ! ! ! ! | ! ! ! ! ! ! ! ! | ! ! ! ! ! ! ! ! | ! ! ! ! ! ! ! ! |
| ! ! ! ! ! ! ! ! |                 | ! ! ! ! ! ! ! ! |                 | ! ! ! ! ! ! ! ! |                 | ! ! ! ! ! ! ! ! | ! ! ! ! ! ! ! ! | ! ! ! ! ! ! ! ! | ! ! ! ! ! ! ! ! |
| ! ! ! ! ! ! ! ! |                 | ! ! ! ! ! ! ! ! |                 | ! ! ! ! ! ! ! ! |                 | ! ! ! ! ! ! ! ! | ! ! ! ! ! ! ! ! | ! ! ! ! ! ! ! ! | ! ! ! ! ! ! ! ! |

| LINE | ITEM | DOCUMENT NUMBER  | PART NUMBER | DESCRIPTION                    | QUANTITY PER VARIATION |    |    |    |    |
|------|------|------------------|-------------|--------------------------------|------------------------|----|----|----|----|
|      |      |                  |             |                                | AA                     | BA | DA | GA | RE |
| 79   | 79   | A-EK-LA120-R-G   |             | REFERENCE CARD, OPERATOR LA120 | 1                      | 1  | 1  | 1  | 1  |
| 80   | 80   | E-MD-7423859-0-0 | 7423859-00  | ACOUSTIC FOAM                  | 1                      | 1  | 1  | 1  | 1  |
| 81   | 81   |                  | 3617880-03  | LABEL, FCC CLASS A PERIPHERAL  | 1                      | 1  | 1  | 1  | 1  |
| 82   | 82   |                  | 3618307-05  | ASSY, 04, 01                   | 1                      | 1  | 1  | 1  | 1  |
| 83   | 83   |                  | 3618331-01  | *** THIS ITEM IS NOT USED ***  | -                      | -  | -  | -  | -  |
| 84   | 84   | D-AD-7016471-0-0 | 7016471-01  | COVER PANEL ASSY.              | -                      | -  | 1  | 1  | -  |
| 85   | 85   |                  | 3615285-00  | LABEL, FUSE HOLDER             | 1                      | 1  | -  | -  | -  |

86 NOTE: 1. ITEM 64 AND ITEM 77 ARE OPTIONAL.

|   |   |   |   |   |   |   |                 |           |      |      |      |                 |     |
|---|---|---|---|---|---|---|-----------------|-----------|------|------|------|-----------------|-----|
| D | I | G | I | T | A | L | TITLE           | SECTION A | OF A | SIZE | CODE | DOCUMENT NUMBER | REV |
|   |   |   |   |   |   |   | LA120 UNIT ASSY |           |      | K    | PL   | LA120-0-DBP     | AC  |

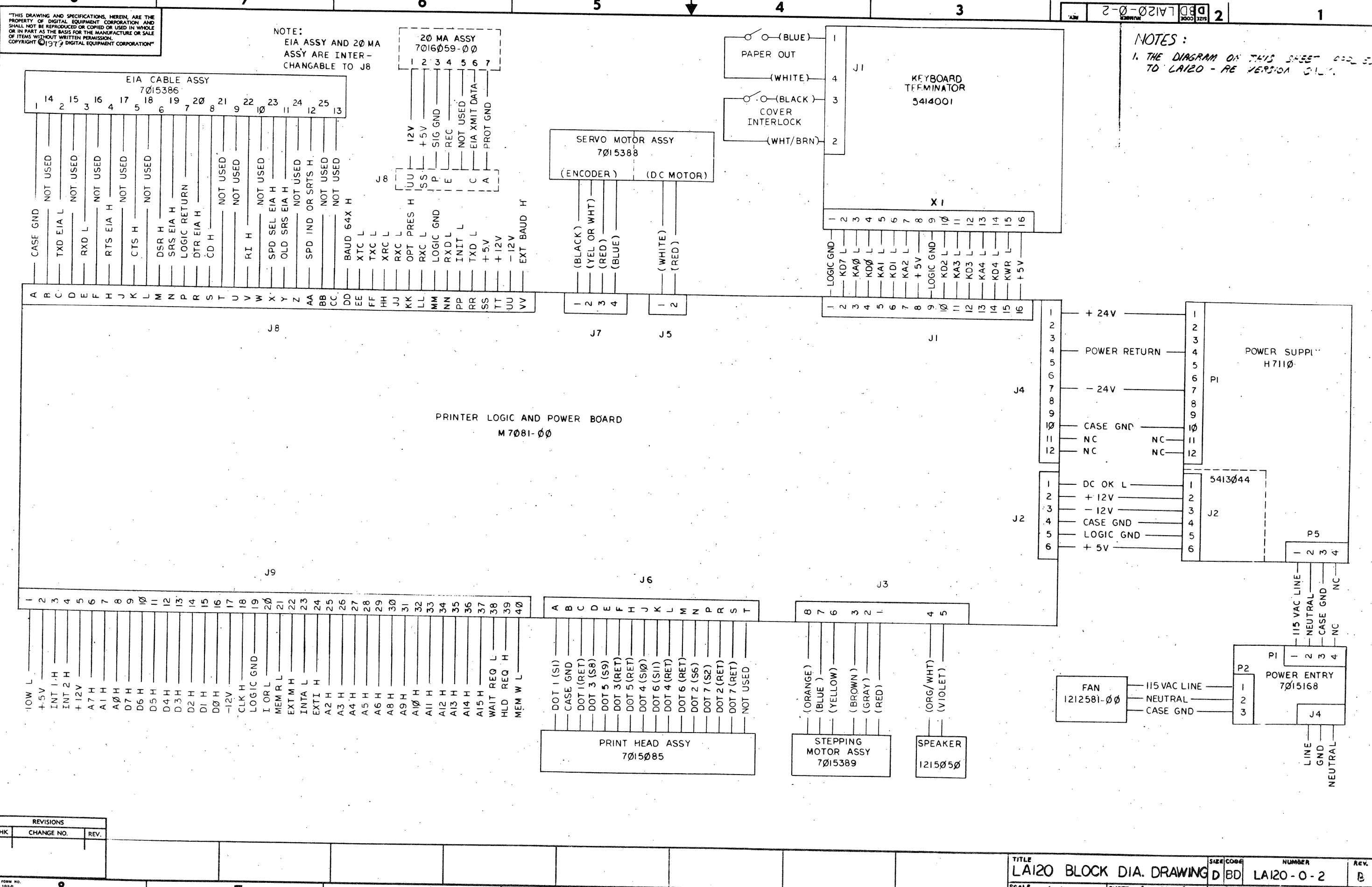


"THIS DRAWING AND SPECIFICATIONS, HEREIN, ARE THE PROPERTY OF DIGITAL EQUIPMENT CORPORATION AND SHALL NOT BE REPRODUCED OR COPIED OR USED IN WHOLE OR IN PART AS THE BASIS FOR THE MANUFACTURE OR SALE OF ITEMS WITHOUT WRITTEN PERMISSION. COPYRIGHT © 1972, DIGITAL EQUIPMENT CORPORATION"

NOTE:  
EIA ASSY AND 20 MA ASSY ARE INTER-CHANGEABLE TO JA

|                          |           |               |                             |         |
|--------------------------|-----------|---------------|-----------------------------|---------|
| DRN. <i>W. H. H. H.</i>  | 4-16-76   | FIRST USED ON | LA120                       | digital |
| CHK'D <i>W. H. H. H.</i> | 5-3-78    | TITLE         | LA120 BLOCK DIAGRAM DRAWING |         |
| ENG. <i>W. H. H. H.</i>  | 7 July 78 | PROJECT       | LA120                       |         |
| PROD. <i>W. H. H. H.</i> | 7 July 78 | PROJ. NO.     | 30200128                    |         |
| NEXT HIGHER ASSY.        |           | SCALE         | 1 OF 2                      |         |
| B-DD-LA120-0             |           | SIZE CODE     | D                           |         |
| SHEET                    |           | DIST.         | BD LA120-0-2                |         |
| REV. B                   |           |               |                             |         |

|          |      |
|----------|------|
| REV. NO. | REV. |
| 1        |      |
| 2        |      |
| 3        |      |
| 4        |      |
| 5        |      |
| 6        |      |
| 7        |      |
| 8        |      |



"THIS DRAWING AND SPECIFICATIONS, HEREIN, ARE THE PROPERTY OF DIGITAL EQUIPMENT CORPORATION AND SHALL NOT BE REPRODUCED OR COPIED OR USED IN WHOLE OR IN PART AS THE BASIS FOR THE MANUFACTURE OR SALE OF ITEMS WITHOUT WRITTEN PERMISSION. COPYRIGHT © 1979 DIGITAL EQUIPMENT CORPORATION"

NOTE:  
EIA ASSY AND 20 MA ASSY ARE INTER-CHANGABLE TO J8

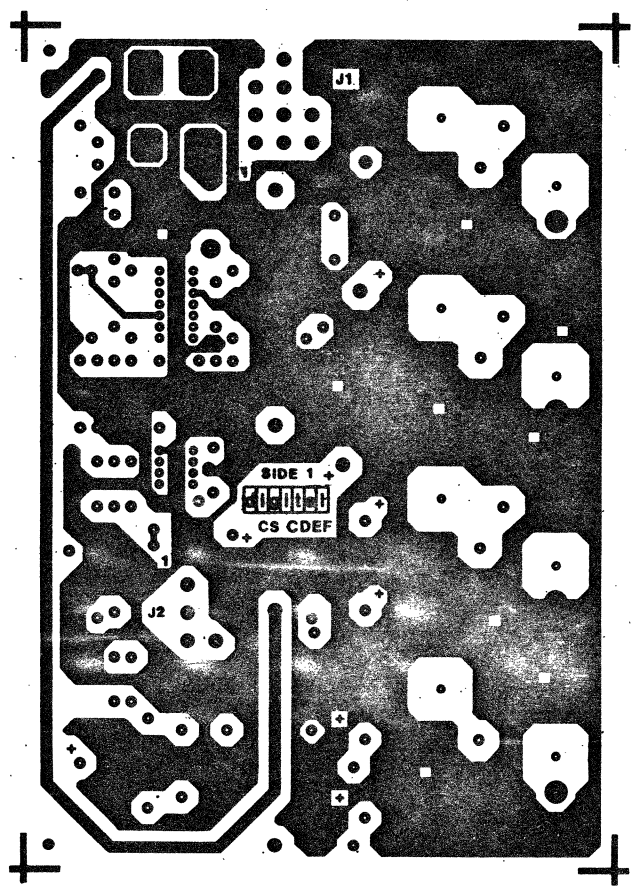
NOTES:  
1. THE DIAGRAM ON THIS SHEET WAS CHANGED TO LA120 - RE VERSION 011.

| REVISIONS |            |      |
|-----------|------------|------|
| CHK       | CHANGE NO. | REV. |
|           |            |      |



THIS DRAWING AND SPECIFICATION, HEREIN, ARE THE PROPERTY OF DIGITAL EQUIPMENT CORPORATION AND SHALL NOT BE REPRODUCED OR COPIED IN WHOLE OR IN PART AS THE BASIS FOR THE MANUFACTURE OR SALE OF ANYTHING WITHOUT WRITTEN PERMISSION.  
 COPYRIGHT © 1977, DIGITAL EQUIPMENT CORPORATION

5013043D  
 5413044



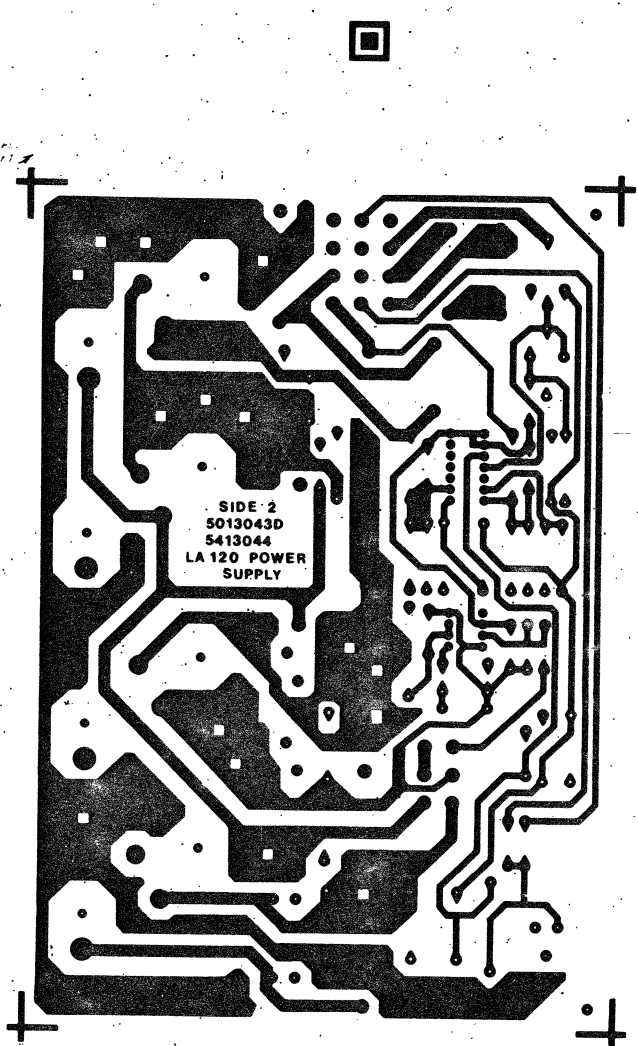
VIEWED FROM SIDE 1

| REVISIONS |            |      |
|-----------|------------|------|
| CHK       | CHANGE NO. | REV. |
|           |            |      |

|       |                    |            |     |        |             |       |      |
|-------|--------------------|------------|-----|--------|-------------|-------|------|
| TITLE | LAI20 POWER SUPPLY | PROJ. CODE | EUA | NUMBER | 5413044-0-0 | REV.  | J    |
| SCALE | 2/1                | SHEET      | 2   | OF     | 3           | DIST. | 1 PW |

EUA 5413044-0-0 J

THESE DRAWINGS AND SPECIFICATIONS HEREBY ARE THE PROPERTY OF DIGITAL EQUIPMENT CORPORATION AND SHALL NOT BE REPRODUCED OR COPIED OR USED IN WHOLE OR IN PART AS THE BASIS FOR THE MANUFACTURE OR SALE OF ITEMS WITHOUT WRITTEN PERMISSION.  
 COPYRIGHT © 1977 BY DIGITAL EQUIPMENT CORPORATION



VIEWED FROM SIDE 2

| REVISIONS |            |      |
|-----------|------------|------|
| CHK       | CHANGE NO. | REV. |
|           |            |      |

|                          |              |                |                    |       |
|--------------------------|--------------|----------------|--------------------|-------|
| TITLE LA120 POWER SUPPLY |              | DATE CODE E UA | NUMBER 5413044-0-0 | REV J |
| SCALE 2/1                | SHEET 3 of 3 | DIST.          | 1 PW               |       |

EUA 5413044-0-0 J

| LINE | ITEM | DOCUMENT NUMBER  | PART NUMBER | DESCRIPTION                     | QTY | PER VARIATION | REFERENCE DESIGNATOR                        |
|------|------|------------------|-------------|---------------------------------|-----|---------------|---|
|      |      |                  |             |                                 | 00  |               |   |
| 1    | 1    | E-MD-5013043-0-0 | 5013043-00  | LA120 PWR SUPPLY MAIN, BRD      | 1   |               |   |
| 2    | 2    |                  | 1000075-00  | 25 MFD 25V +75-10% AL EL        | 1   |               | C15   |
| 3    | 3    |                  | 1001610-00  | .01 MFD 50V +80-20% 25U CER     | 2   |               | C17,C18                                     |
| 4    | 4    |                  | 1005507-00  | 1 MFD 100V +50-10% AL EL        | 1   |               | C19   |
| 5    | 5    |                  | 1009433-00  | 190 MFD 12V +75-10% AL EL       | 1   |               | C16   |
| 6    | 6    |                  | 1012607-00  | 560 MFD 20V+100-10% AL EL       | 2   |               | C3,C4                                       |
| 7    | 7    |                  | 1012607-04  | 270 MFD 40V+100-10% AL EL       | 1   |               | C20   |
| 8    | 8    |                  | 1013466-11  | .22 MFD 50V +80-20% Z5U CER     | 10  |               | C5,C6,C7,C8,C9,C10,C11,C12,C13,<br>CONT C14 |
| 9    | 9    |                  | 1014526-00  | 180 MFD 40V+100-10% AL EL       | 2   |               | C1,C2                                       |
| 10   | 10   |                  | 1105796-00  | 1N 4004 PIV=400 I= 1A D041 SP   | 2   |               | D3,D4                                       |
| 11   | 11   |                  | 1105873-00  | 4M5-1AZ1 VZ= 5.1 1% .400W       | 1   |               | D5  |
| 12   | 12   |                  | 1109502-00  | 1N 4742 VZ= 12.0 10% 1W Y       | 1   |               | D6  |
| 13   | 13   |                  | 1110615-00  | MR 752 PIV=200 I=22A A264 SM    | 2   |               | D1,D2                                       |
| 14   | 14   |                  | 1205747-00  | FUSE, SUB-MINI, 5.000A, 125V, A | 1   |               | F1  |
| 15   | 15   |                  | 1209336-00  | JACK, 1LINE                     | 2   |               |   |
| 16   | 16   |                  | 1212297-05  | MATE-N-LOK 6PIN UNIV HEADER     | 1   |               | J2  |
| 17   | 17   |                  | 1212297-06  | MATE-N-LOK 12PIN UNIV HEADER    | 1   |               | J1  |
| 18   | 18   |                  | 1213071-02  | INSULATOR,RUBBER SILICONE SM    | 2   |               |   |
| 19   | 19   |                  | 1215217-00  | HEAT SINK,TO-3,ALUM             | 1   |               |   |
| 20   | 20   |                  | 1300288-00  | 270.0 2.0 W10.0 %               | 1   |               | R1  |
| 21   | 21   |                  | 1300296-00  | 330.0 .50 W 5.0 %               | 1   |               | R25   |
| 22   | 22   |                  | 1300319-00  | 470.0 1.0 W 5.0 %               | 1   |               | R24   |
| 23   | 23   |                  | 1300365-00  | 1.0 K .25 W 5.0 %               | 2   |               | R3,R4                                       |
| 24   | 24   |                  | 1300400-00  | 1.80 K .50 W10.0 %              | 2   |               | R7,R8                                       |
| 25   | 25   |                  | 1300426-00  | 2.70 K .25 W 5.0 %              | 1   |               | R23   |
| 26   | 26   |                  | 1302092-00  | 220.0 K .25 W 5.0 %             | 2   |               | R13,R14                                     |
| 27   | 27   |                  | 1302124-00  | 18.0 .25 W 5.0 %                | 1   |               | R2  |
| 28   | 28   |                  | 1302465-00  | 18.0 K .25 W 5.0 %              | 1   |               | R26   |
| 29   | 29   |                  | 1303114-00  | 1.0 K .25 W 1.0 % RN55D=F10     | 2   |               | R11,R12                                     |

| REVISION HISTORY |               | BASIC PART NO: 5413044 |                          | DRN: VIN PARECHANIAN DATE: 13-MAR-78 |                | D I G I T A L        |                       |
|------------------|---------------|------------------------|--------------------------|--------------------------------------|----------------|----------------------|-----------------------|
| ENG              | ECD NUMBER    | REV                    | SECTION A OF A           | CHK'D:                               | T SHETRAWSKI   | DATE:                | 5-APR-78              |
| ---              | INT           | C                      | SECTION, VARIATION INDEX |                                      |                | TITLE                | PARTS LIST            |
| JB               | 1EN001        | D                      | [A] 00                   |                                      |                |                      | LA120 POWER SUPPLY    |
| JB               | 5413044-PN002 | E                      | [B]                      |                                      |                |                      |                       |
| JB               | 5413044-PN003 | F                      | [C]                      | DES.ENG:                             | CHARLES BUTALA | DATE:                | 13-MAR-78             |
| JB               | 5413044-PN004 | H                      | [D]                      |                                      |                |                      |                       |
| JB               | 5413044-PN005 | J                      | [E]                      |                                      |                |                      |                       |
| EK               | 5413044-PN006 | K                      | [F]                      | RESP.ENG.:                           | CHARLES BUTALA | DATE:                | 13-MAR-78             |
|                  |               |                        | [H]                      |                                      |                | DOCUMENT NUMBER      |                       |
|                  |               |                        | [J]                      |                                      |                | SIZE CODE NUMBER     | REV                   |
|                  |               |                        | [K]                      | MFG.ENG.:                            | JAMES JOYCE    | DATE:                | 30-MAR-78             |
|                  |               |                        | [L]                      |                                      |                | K PL 5413044-0-DBP   | K                     |
|                  |               |                        | [M]                      | ASSEMBLY NUMBER:                     |                | TOP DOCUMENT NUMBER: |                       |
|                  |               |                        | [N]                      | E-UA-5413044-0-0                     |                | H7110                | FILE NAME: 13044K,PLS |
|                  |               |                        |                          |                                      |                |                      | EDIT # 20             |

"THIS DRAWING AND SPECIFICATIONS HEREIN, ARE THE PROPERTY OF DIGITAL EQUIPMENT CORPORATION AND SHALL NOT BE REPRODUCED OR COPIED OR USED IN WHOLE OR IN PART AS THE BASIS FOR THE MANUFACTURE OR SALE OF ITEMS WITHOUT WRITTEN PERMISSION. COPYRIGHT (C) 1981, DIGITAL EQUIPMENT CORPORATION"



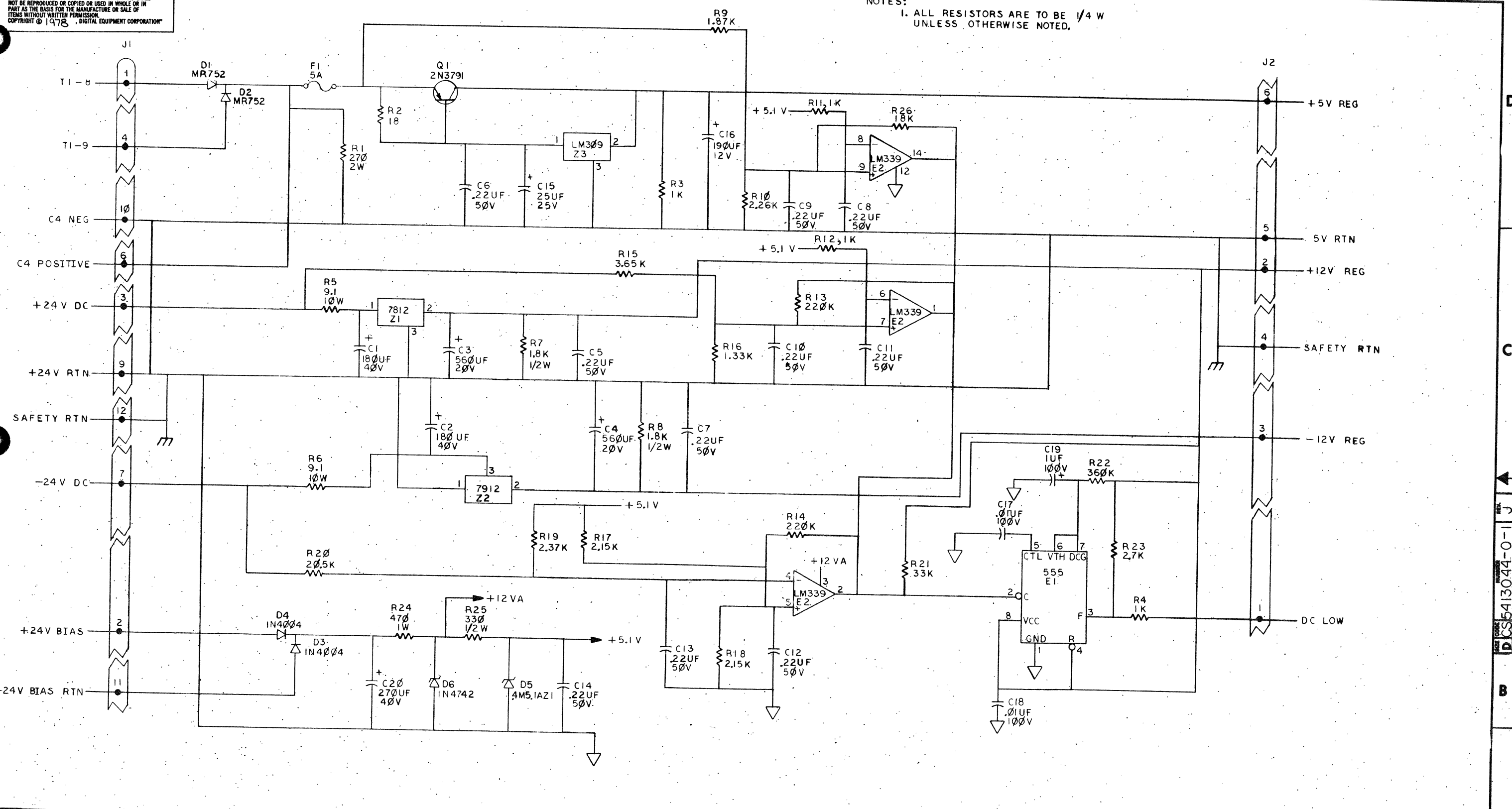
| LINE | ITEM | DOCUMENT NUMBER  | PART NUMBER | DESCRIPTION                        | QTY | PER VARIATION | REFERENCE DESIGNATOR |
|------|------|------------------|-------------|------------------------------------|-----|---------------|----------------------|
|      |      |                  |             |                                    | 00  |               |                      |
| 30   | 30   |                  | 1304835-00  | /REPLACED BY 13-05337-00           |     |               |                      |
| 31   | 31   |                  | 1310630-00  | 1.33 K .25 W 1.0 % RN55D-F10       | 1   |               | PM                   |
| 32   | 32   |                  | 1310632-00  | 2.37 K .25 W 1.0 % RN55D-F10       | 1   |               | R15                  |
| 33   | 33   |                  | 1311653-00  | 2.15 K .25 W 1.0 % RN55D-F10       | 1   |               | R16                  |
| 34   | 34   |                  | 1312933-00  | 360.0 K .25 W 5.0 % CC             | 2   |               | R19                  |
| 35   | 35   |                  | 1313349-00  | 33.0 K .25 W 5.0 % CC              | 1   |               | R17,R18              |
| 36   | 36   |                  | 1313846-00  | 2.26 K .25 W 1.0 % RN55D-F10       | 1   |               | R22                  |
| 37   | 37   |                  | 1314520-00  | 9.10 10.0 W 5.0 % WW               | 2   |               | R21                  |
| 38   | 38   |                  | 1315096-00  | 1.87 K .25 W 1.0 % RN55D-F10       | 1   |               | R10                  |
| 39   | 39   |                  | 1315097-00  | 20.50 K .25 W 1.0 % RN55D-F10      | 1   |               | R5,R6                |
| 40   | 40   |                  | 1509581-00  | 2N 3791 PNP 150WC SI 60 30 M       | 1   |               | R9                   |
| 41   | 41   |                  | 1910460-00  | DEC 309 VOLT REG, FIX +15V         | 1   |               | R20                  |
| 42   | 42   |                  | 1911944-00  | 555CN TIMER, FUNCT, BLOCK          | 1   |               | Q1                   |
| 43   | 43   |                  | 1912048-00  | DEC 7812 VOLT REG, FIX +12V        | 1   |               | Z3                   |
| 44   | 44   |                  | 1912108-00  | 339 VOLT CMPRTR, QUAD              | 1   |               | E1                   |
| 45   | 45   |                  | 1914517-00  | 7912 VOLT REG, FIX -12V            | 1   |               | Z1                   |
| 46   | 46   |                  | 9006507-00  | RIVET, BLIND, .125 DIA X .257 LG   | 4   |               | E2                   |
| 47   | 47   |                  | 9006658-00  | WASHER, FLAT, .375 O.D. X .144 I   | 4   |               | Z2                   |
| 48   | 48   |                  | 9006707-00  | WASHER, NYLON, FLAT #6 .312 OD     | 4   |               |                      |
| 49   | 49   |                  | 9007793-01  | SCREW, PAN, PHIL 6-32X 9/16 SS     | 8   |               |                      |
| 50   | 50   |                  | 9007801-00  | WASHER, LOCK, S.S. #6              | 8   |               |                      |
| 51   | 51   |                  | 9008957-00  | NUT, HEX 6-32X 1/4 AF X 3          | 8   |               |                      |
| 52   | 52   |                  | 9009676-00  | TERM LUG 1POS SOLDER               | 4   |               |                      |
| 53   | 53   |                  | 9006656-00  | WASHER, FLAT, .312 O.D. X .156 I   | 8   |               |                      |
| 54   | 54   |                  | 9009798-00  | SPACER, CERAMIC, .186 ODX, .078 ID | 4   |               |                      |
| 55   | 55   | A-SP-3700440-0-0 | 3700440-00  | INSTR PKG MODULE 5413044           |     | REF           |                      |
| 56   | 56   | A-SP-3700438-0-0 | 3700438-00  | INSTR PKG, BULK CARTON 99-06476-   |     | REF           |                      |

57 NOTE: 1. FOR INDIVIDUAL FIELD SERVICE/CUSTOMER SPARES SHIPMENTS  
 58 NOTE: USE PKG. INSTRUCTIONS A-SP-3700440-0-0. FOR BULK INTERPLANT  
 59 NOTE: SHIPMENTS USE PKG. INSTRUCTION A-SP-3700438-0-0.

|   |   |   |   |   |   |   |                    |           |    |   |      |      |                 |     |
|---|---|---|---|---|---|---|--------------------|-----------|----|---|------|------|-----------------|-----|
| D | I | G | I | T | A | L | TITLE              | SECTION A | OF | A | SIZE | CODE | DOCUMENT NUMBER | REV |
|   |   |   |   |   |   |   | LA120 POWER SUPPLY |           |    |   | K    | PL   | 5413044-0-DBP   | K   |

THIS DRAWING AND SPECIFICATIONS, HEREIN, ARE THE PROPERTY OF DIGITAL EQUIPMENT CORPORATION AND SHALL NOT BE REPRODUCED OR COPIED OR USED IN WHOLE OR IN PART AS THE BASIS FOR THE MANUFACTURE OR SALE OF ITEMS WITHOUT WRITTEN PERMISSION. COPYRIGHT © 1978, DIGITAL EQUIPMENT CORPORATION

NOTES:  
1. ALL RESISTORS ARE TO BE 1/4 W UNLESS OTHERWISE NOTED.

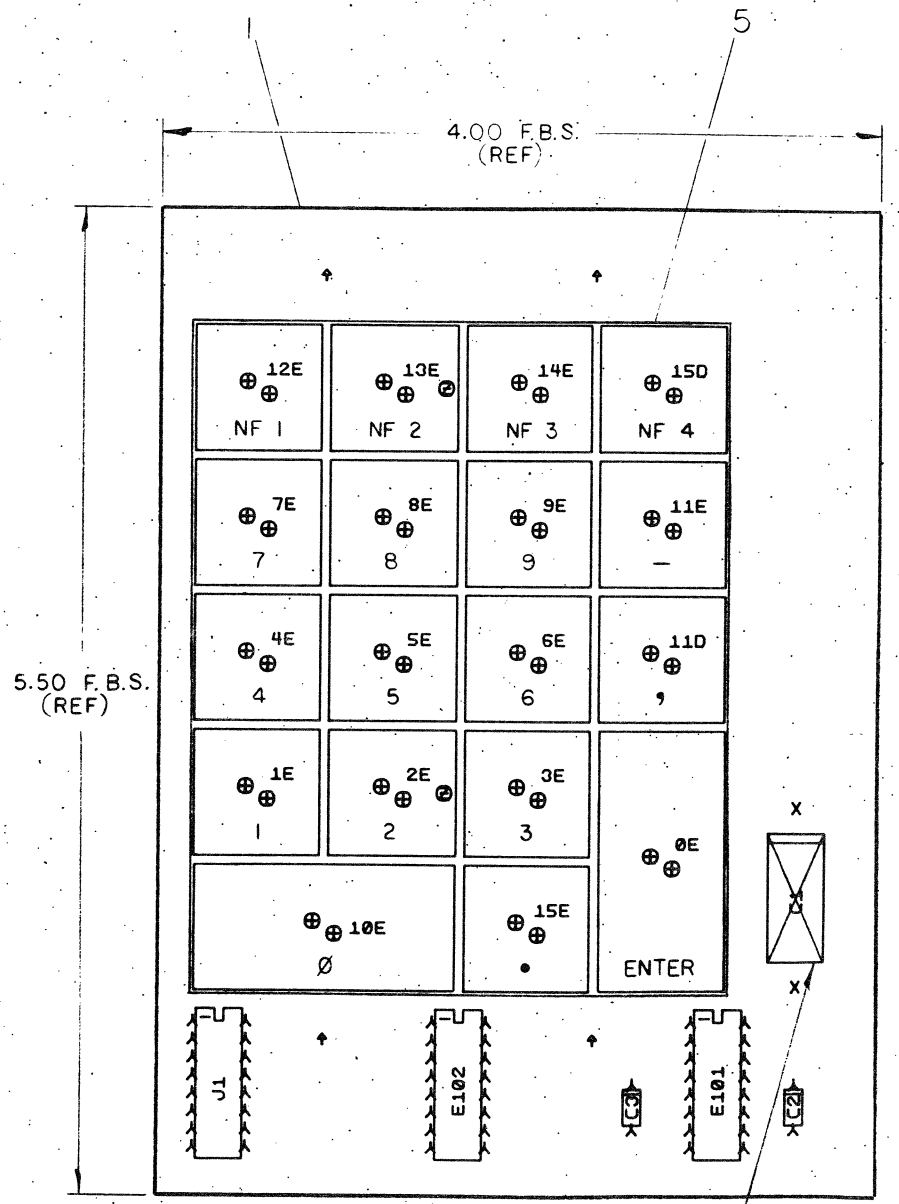


| REV. | CHG. | BY       | DATE    |
|------|------|----------|---------|
| 1    | 1    | J. BITTO | 1-28-78 |
| 2    | 1    | J. BITTO | 2-28-78 |
| 3    | 1    | J. BITTO | 3-28-78 |
| 4    | 1    | J. BITTO | 4-28-78 |
| 5    | 1    | J. BITTO | 5-28-78 |
| 6    | 1    | J. BITTO | 6-28-78 |
| 7    | 1    | J. BITTO | 7-28-78 |
| 8    | 1    | J. BITTO | 8-28-78 |

|                          |           |                   |                    |         |
|--------------------------|-----------|-------------------|--------------------|---------|
| DRN. <i>[Signature]</i>  | 11 JAN 78 | FIRST USED ON     | H7110/LA120        | digital |
| CHK'D <i>[Signature]</i> | 5/1/78    | TITLE             | LA120 POWER SUPPLY |         |
| ENG. <i>[Signature]</i>  | 5/1/78    | PROJ. ENG.        | F.M. [Signature]   |         |
| PROD. <i>[Signature]</i> | 12/12/78  | NEXT HIGHER ASSY. |                    |         |
| B-DD-5413044-0           | SCALE     | SIZE              | CODE               | NUMBER  |
| SHEET                    | OF        | DIST.             | CS 5413044-0-1     | REV. J  |

THIS DRAWING AND SPECIFICATIONS, HEREIN, ARE THE PROPERTY OF DIGITAL EQUIPMENT CORPORATION AND SHALL NOT BE REPRODUCED OR COPIED IN WHOLE OR IN PART AS THE BASIS FOR THE MANUFACTURE OR SALE OF ITEMS WITHOUT WRITTEN PERMISSION.  
 COPYRIGHT © DIGITAL EQUIPMENT CORPORATION

COMPONENT SIDE VIEW



SEE NOTE 1

NOTES: 1. C1 IS NOT USED.

| CHK CHANGE NO     | REV | DATE | BY |
|-------------------|-----|------|----|
| 502643-PROD       | C   |      |    |
| REVISED - REDRAWN |     |      |    |
| J. BITTO          |     |      |    |
| J. BITTO          | D   |      |    |
| J. BITTO          |     |      |    |

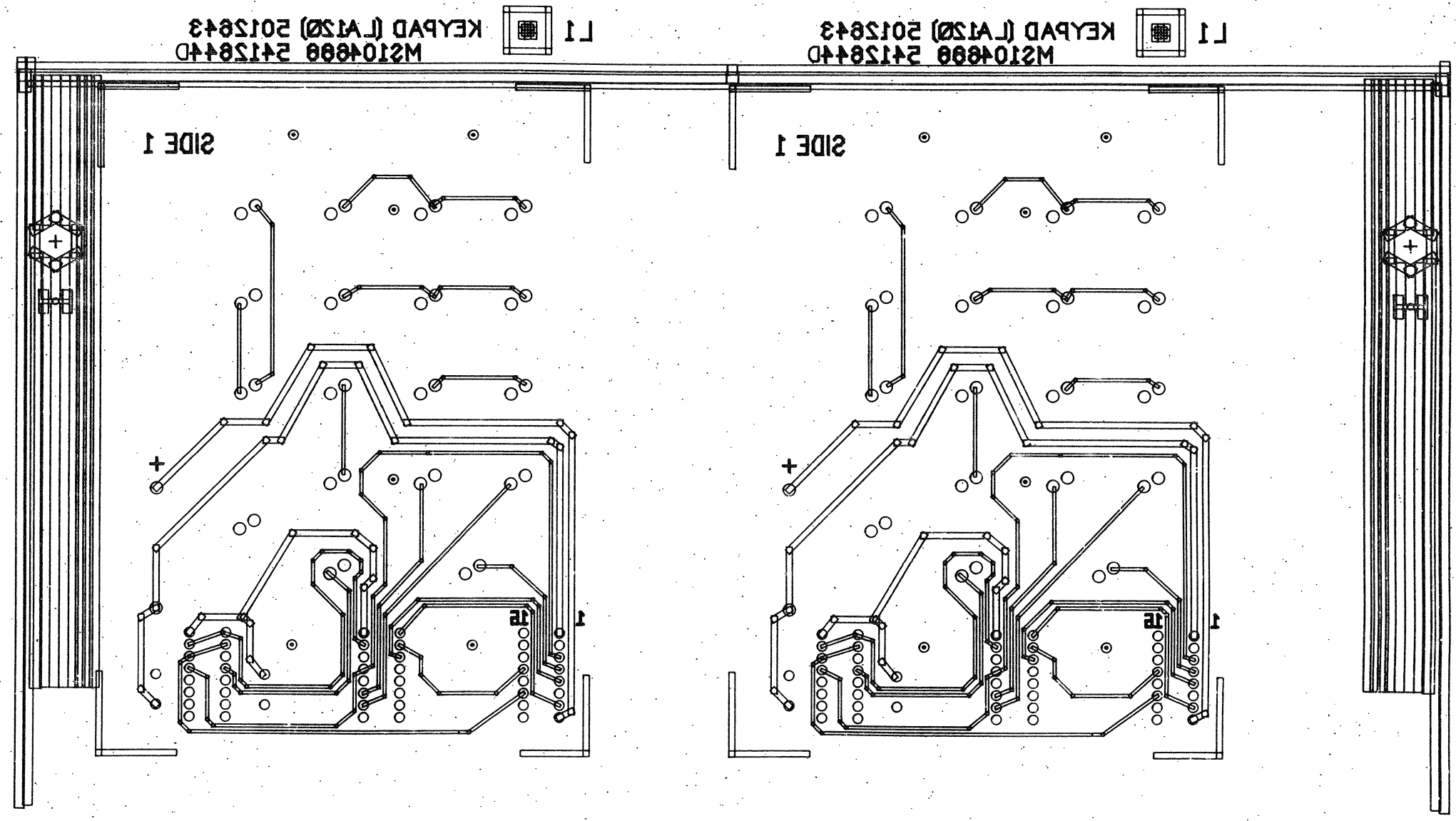
| STEP   | ↑ Y AXIS | STEP | TIMES |
|--------|----------|------|-------|
| REPEAT | → X AXIS | STEP | TIMES |

|           |   |
|-----------|---|
| ETCH REV. | D |
|-----------|---|

| SIGNATURES                       |            | DATE      | digital                   |
|----------------------------------|------------|-----------|---------------------------|
| DRN.                             | M. RIPLEY  | 3-16-77   |                           |
| CHK'D.                           | R. H.      | 4-4-77    |                           |
| MECH. ENG.                       | R. LOMICKA | 4-4-77    | TITLE<br>KFYAD<br>(LA 50) |
| PROJ. ENG.                       | R. LOMICKA | 4-4-77    |                           |
| PROD.                            | J. JOYCE   | 4-4-77    | NUMBER<br>542344          |
| SCALE                            | 2/1        | SIZE CODE | LA                        |
| SHT.                             | 1 OF 3     | REV       |                           |
| NEXT HIGHER ASSY. B-DD-5412644-C |            |           |                           |

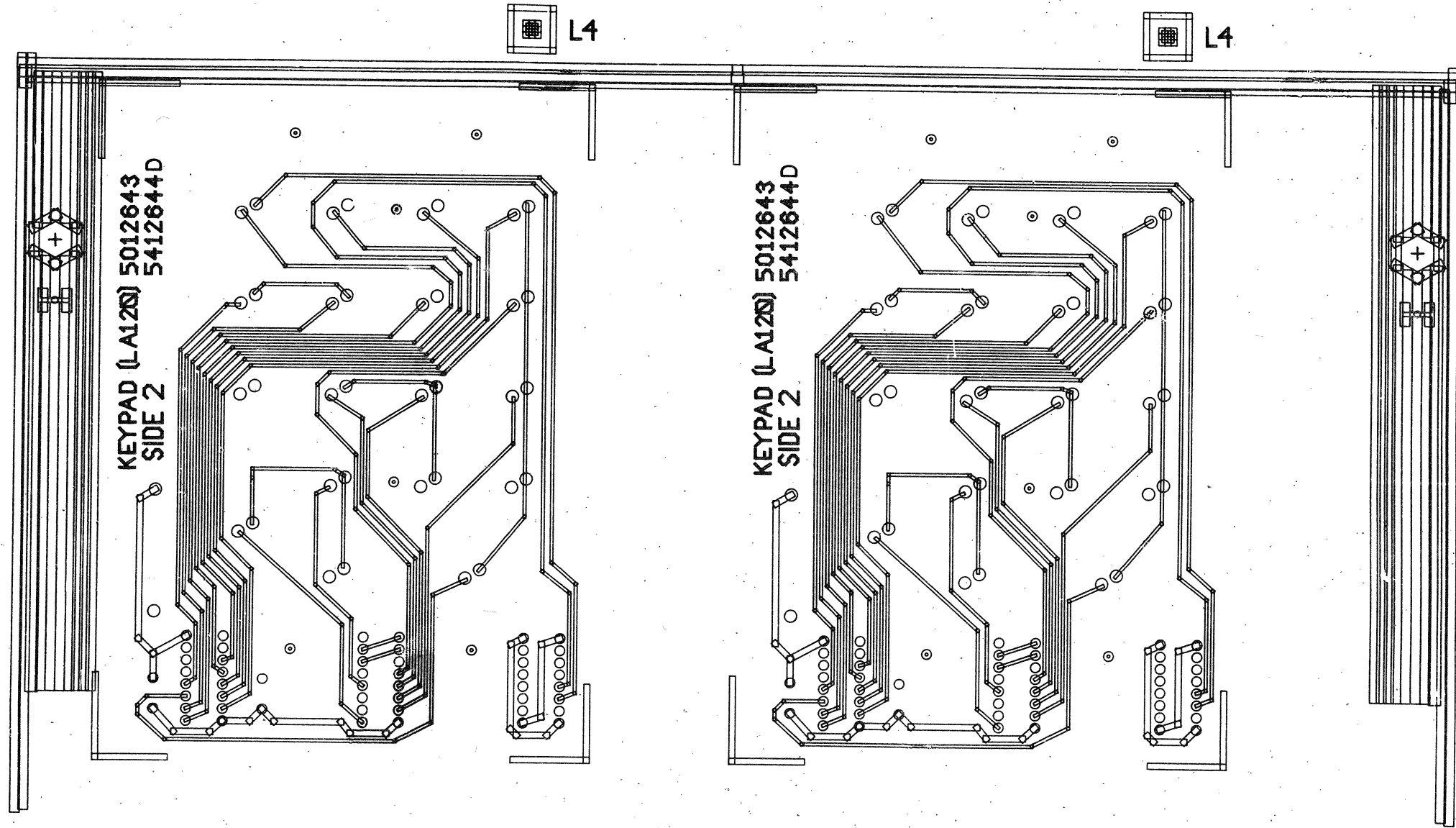
1 MS# 045

THIS DRAWING AND SPECIFICATIONS, HEREIN, ARE THE PROPERTY OF WESTERN ELECTRIC CORPORATION AND SHALL NOT BE REPRODUCED OR USED IN WHOLE OR IN PART IN THE UNITED STATES OR IN ANY OTHER COUNTRY WITHOUT THE WRITTEN PERMISSION OF WESTERN ELECTRIC CORPORATION.



THIS DRAWING AND SPECIFICATIONS, HEREIN, ARE THE PROPERTY OF DIGITAL EQUIPMENT CORPORATION AND SHALL NOT BE REPRODUCED OR COPIED OR USED IN WHOLE OR IN PART AS THE BASIS FOR THE MANUFACTURE OR SALE OF ITEMS WITHOUT WRITTEN PERMISSION.  
COPYRIGHT © 1977 DIGITAL EQUIPMENT CORPORATION

1  
2  
DUA 5412644 - 0 - 0



SHEET 3 OF 3  
SIZE CODE D UA  
NUMBER 5412644 - 0 - 0  
REV D  
1 MS#

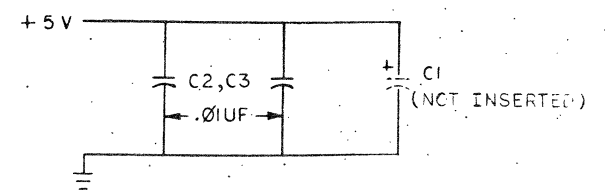
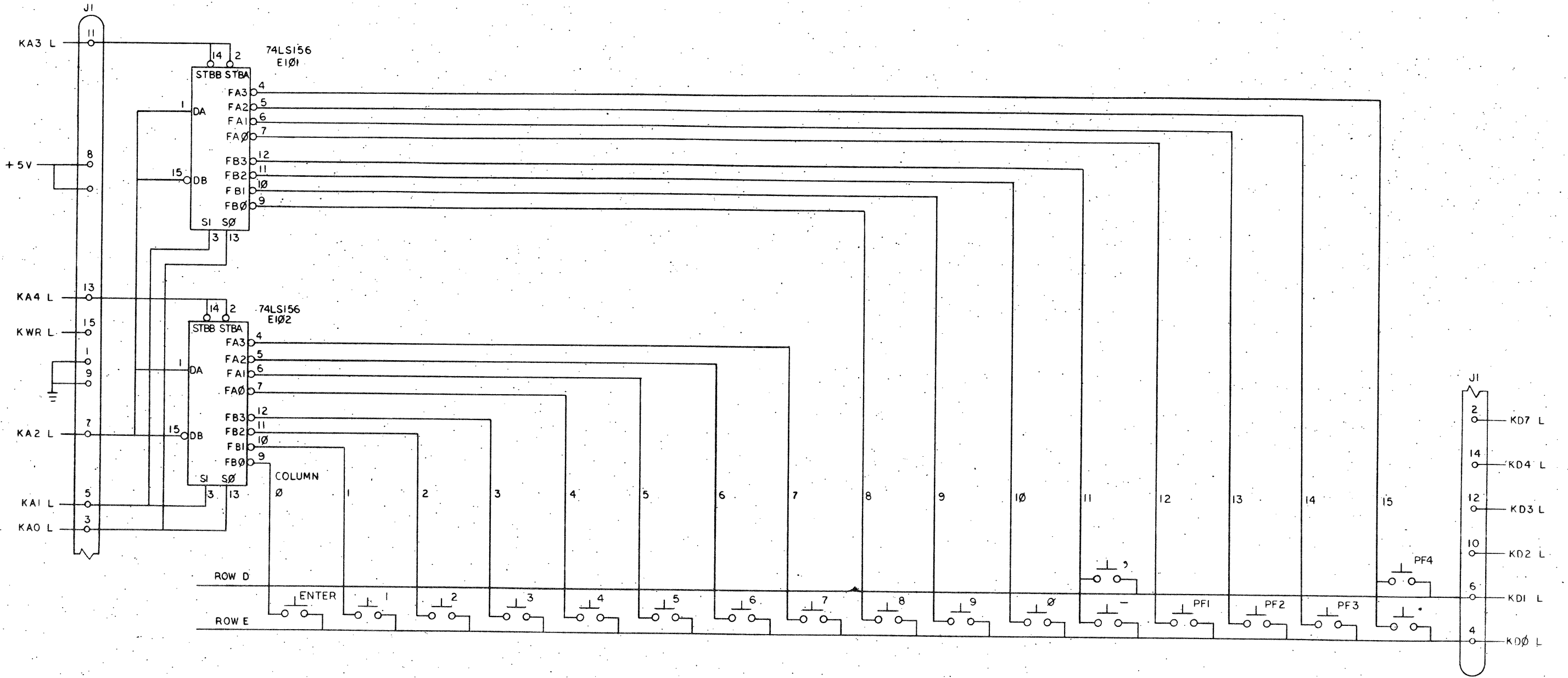
DUA 5412644 - 0 - 0

| LINE ITEM | DOCUMENT NUMBER | PART NUMBER | DESCRIPTION                    | QTY PER VARIATION<br>00 | REFERENCE DESIGNATOR |
|-----------|-----------------|-------------|--------------------------------|-------------------------|----------------------|
| 1         | 1               | 5012643=00  | KEY PAD (LA120) (ETCH BRD.)    | 1                       |                      |
| 2         | 2               | 1001610=00  | .01 MFD 50V -20+80 Z5U AXIAL   | 2                       | C2,C3                |
| 3         | 3               | 1211813=02  | SOCKET 16PIN IC LOW PROFILE,   | 1                       | J1                   |
| 4         | 4               | 1913950=00  | LS156 DECODER,2 OF 4(DUAL)     | 2                       | E101,E102            |
| 5         | 5               | 7014561=00  | 18 KEY NUMERIC PAD ASSY        | 1                       |                      |
| 6         | 6               | 9010033=00  | SCREW,PAN,PHILLIPS, 4-24 X 3/8 | 2                       |                      |

| REVISION HISTORY |               | BASIC PART NO: 5412644 |                         | DRN:                  | DATE:                | DIGITAL            |            |
|------------------|---------------|------------------------|-------------------------|-----------------------|----------------------|--------------------|------------|
| ENG:             | ECO NUMBER    | REV                    | SECTION A OF A          | CHK'D:                | DATE:                | TITLE              | PARTS LIST |
| ---              | INIT          | B                      | SECTION VARIATION INDEX | M. RIPLEY             | 15-FEB-78            | KEYPAD (LA120)     |            |
| JB               | 5412644-PN001 | D                      | [A] 00                  | M. PICARD             | 15-FEB-78            |                    |            |
|                  |               |                        | [B]                     |                       |                      |                    |            |
|                  |               |                        | [C]                     | DES. ENG: R. LOMICKA  | 07-MAR-78            |                    |            |
|                  |               |                        | [D]                     |                       |                      |                    |            |
|                  |               |                        | [E]                     | RESP. ENG: R. LOMICKA | 07-MAR-78            | DOCUMENT NUMBER    |            |
|                  |               |                        | [F]                     |                       |                      |                    |            |
|                  |               |                        | [G]                     |                       |                      |                    |            |
|                  |               |                        | [H]                     |                       |                      |                    |            |
|                  |               |                        | [I]                     | MFG. ENG: J. JOYCE    | 07-MAR-78            | SIZE: CODE: NUMBER | REV        |
|                  |               |                        | [J]                     |                       |                      | K PL 5412644-0-DBP | D          |
|                  |               |                        | [K]                     | ASSEMBLY NUMBER:      | TOP DOCUMENT NUMBER: | FILE NAME:         | EDIT #     |
|                  |               |                        | [L]                     | D-UA-5412644-0=0      | LA120                | 12644D.PLS         | 12         |
|                  |               |                        | [M]                     |                       |                      |                    |            |
|                  |               |                        | [N]                     |                       |                      |                    |            |

"THIS DRAWING AND SPECIFICATIONS HEREIN, ARE THE PROPERTY OF DIGITAL EQUIPMENT CORPORATION AND SHALL NOT BE REPRODUCED OR COPIED OR USED IN WHOLE OR IN PART AS THE BASIS FOR THE MANUFACTURE OR SALE OF ITEMS WITHOUT WRITTEN PERMISSION. COPYRIGHT (C) 1980, DIGITAL EQUIPMENT CORPORATION"

THIS DRAWING AND SPECIFICATIONS HEREIN ARE THE PROPERTY OF DIGITAL EQUIPMENT CORPORATION AND SHALL NOT BE REPRODUCED OR COPIED OR USED IN WHOLE OR IN PART AS THE BASIS FOR THE MANUFACTURE OR SALE OF ITEMS WITHOUT WRITTEN PERMISSION. COPYRIGHT © 1977, DIGITAL EQUIPMENT CORPORATION.

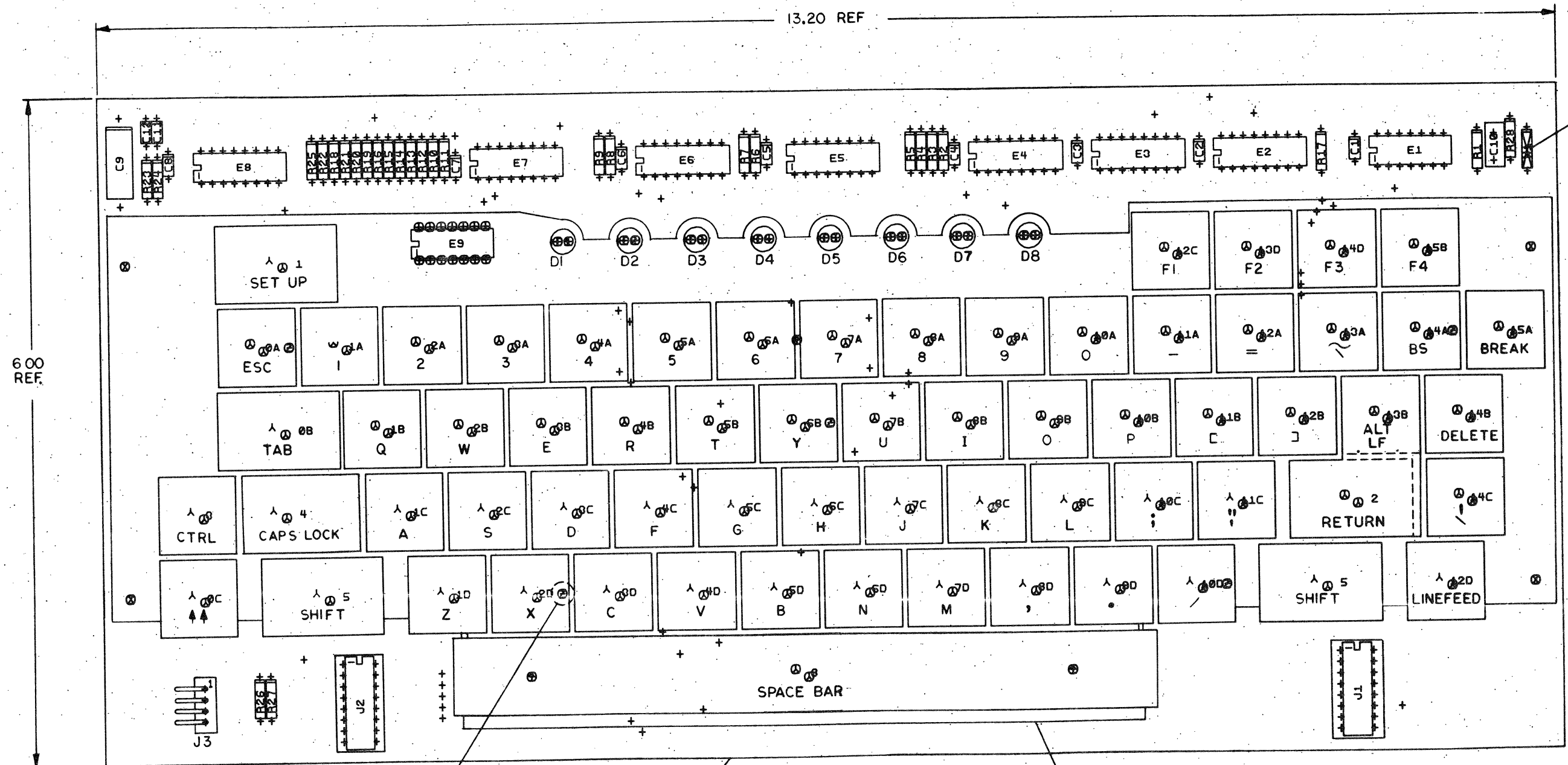


| REV | CHG | NO | DATE     | BY       | CHK      |
|-----|-----|----|----------|----------|----------|
| 1   |     | 1  | 12/21/77 | J. BITTO | J. BITTO |
| 2   |     | 2  | 1/11/78  | J. BITTO | J. BITTO |
| 3   |     | 3  | 1/11/78  | J. BITTO | J. BITTO |
| 4   |     | 4  | 1/11/78  | J. BITTO | J. BITTO |
| 5   |     | 5  | 1/11/78  | J. BITTO | J. BITTO |
| 6   |     | 6  | 1/11/78  | J. BITTO | J. BITTO |
| 7   |     | 7  | 1/11/78  | J. BITTO | J. BITTO |
| 8   |     | 8  | 1/11/78  | J. BITTO | J. BITTO |

|                                    |                               |                            |
|------------------------------------|-------------------------------|----------------------------|
| DRN: <i>John McNamee</i> 12/21/77  | FIRST USED ON<br>LA120        | digital                    |
| CHK'D: <i>Ray L...</i> 3-6-78      | ENG: <i>Ray L...</i> 1/11/78  |                            |
| PROJ. ENG. <i>Ray L...</i> 1/11/78 | PROD. <i>Ray L...</i> 1/11/78 | TITLE<br>KEYPAD<br>(LA120) |
| NEXT HIGHER ASSY.                  | SIZE CODE<br>D CS 5412644-0-1 | NUMBER<br>1                |
| SCALE                              | SHEET                         | REV.<br>1                  |

THIS DRAWING AND SPECIFICATIONS, HEREIN, ARE THE PROPERTY OF DIGITAL EQUIPMENT CORPORATION AND SHALL NOT BE REPRODUCED OR COPIED IN WHOLE OR IN PART OR THE BASIS FOR THE MANUFACTURE OR SALE OF ITEMS WITHOUT WRITING PERMISSION.  
 COPYRIGHT © MAR 1978 DIGITAL EQUIPMENT CORPORATION

COMPONENT SIDE VIEW



NOTES: 1. WI NOT USED.

| CHG | NO            | REV | DATE | BY       | CHK'D |
|-----|---------------|-----|------|----------|-------|
| 1   | 5412642-PN001 | D   |      | J. BITTO |       |
| 2   |               |     |      |          |       |
| 3   |               |     |      |          |       |
| 4   |               |     |      |          |       |

|                            |    |
|----------------------------|----|
| ETCH REV.                  | D  |
| P.C. DESIGN DATA BASE REV. | DL |

| SIGNATURES                       |  | DATE      | digital |
|----------------------------------|--|-----------|---------|
| DRN. M. Ridley                   |  | 3/14/78   |         |
| CHK'D. R. Hymowitz               |  | 15/MAR/78 |         |
| ENG. Roy Lomicka                 |  | HAR 78    |         |
| PROJ. ENG. Roy Lomicka           |  | HAR 78    |         |
| PROD. Jim J...                   |  | 1/PMR/78  |         |
| SCALE 2/1                        |  |           |         |
| SHT. 1 OF 3                      |  |           |         |
| NEXT HIGHER ASSY. B-DD-5412642-0 |  |           |         |

TITLE KEYBOARD LA120

NUMBER REV  
 0 UA 5412642-0-0 D

PN 1 MS#104687

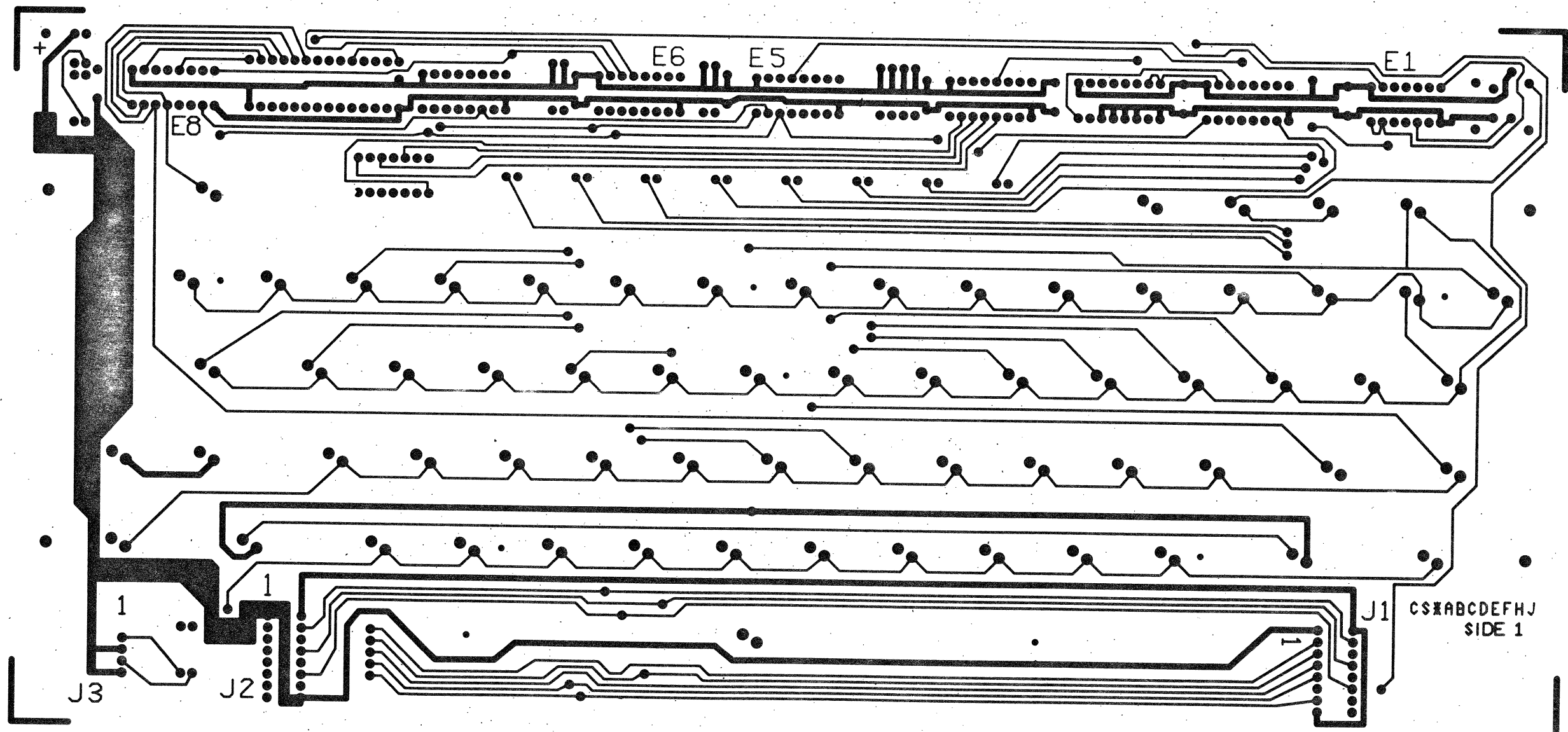


"THIS DRAWING AND SPECIFICATIONS, HEREIN ARE THE PROPERTY OF DIGITAL EQUIPMENT CORPORATION AND SHALL NOT BE REPRODUCED OR COPIED OR USED IN WHOLE OR IN PART AS THE BASIS FOR THE MANUFACTURE OR SALE OF ITEMS WITHOUT WRITTEN PERMISSION. COPYRIGHT © 1978, DIGITAL EQUIPMENT CORPORATION"

L1

5412642

5012641D

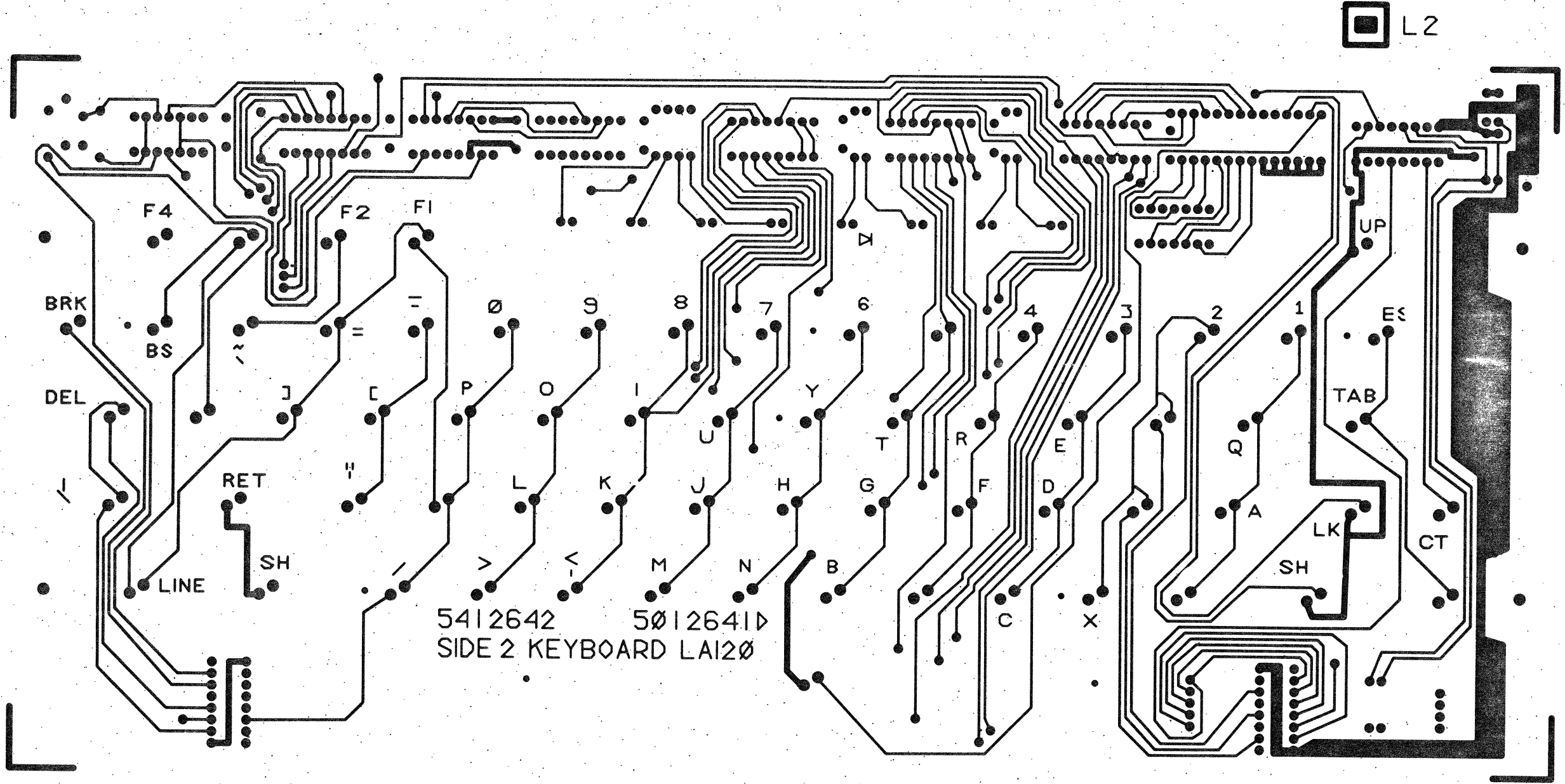


CSXABCDEFHJ  
SIDE 1

| REVISIONS |           |     |
|-----------|-----------|-----|
| CHK       | CHANGE NO | REV |
|           |           |     |

|       |               |           |     |        |             |       |     |
|-------|---------------|-----------|-----|--------|-------------|-------|-----|
| TITLE | KEYBOARD LA20 | SIZE CODE | DUA | NUMBER | 5412642-0-0 | REV.  | D   |
| SCALE | 2/1           | SHEET     | 2   | OF     | 3           | DIST. | PHN |

THIS DRAWING AND SPECIFICATIONS, HEREIN, ARE THE PROPERTY OF DIGITAL EQUIPMENT CORPORATION AND SHALL NOT BE REPRODUCED OR COPIED OR USED IN WHOLE OR IN PART AS THE BASIS FOR THE MANUFACTURE OR SALE OF ITEMS WITHOUT WRITTEN PERMISSION. COPYRIGHT © 1978, DIGITAL EQUIPMENT CORPORATION.



5412642 5012641D  
SIDE 2 KEYBOARD LA120

| REVISIONS |           |     |
|-----------|-----------|-----|
| CHK       | CHANGE NO | REV |
|           |           |     |

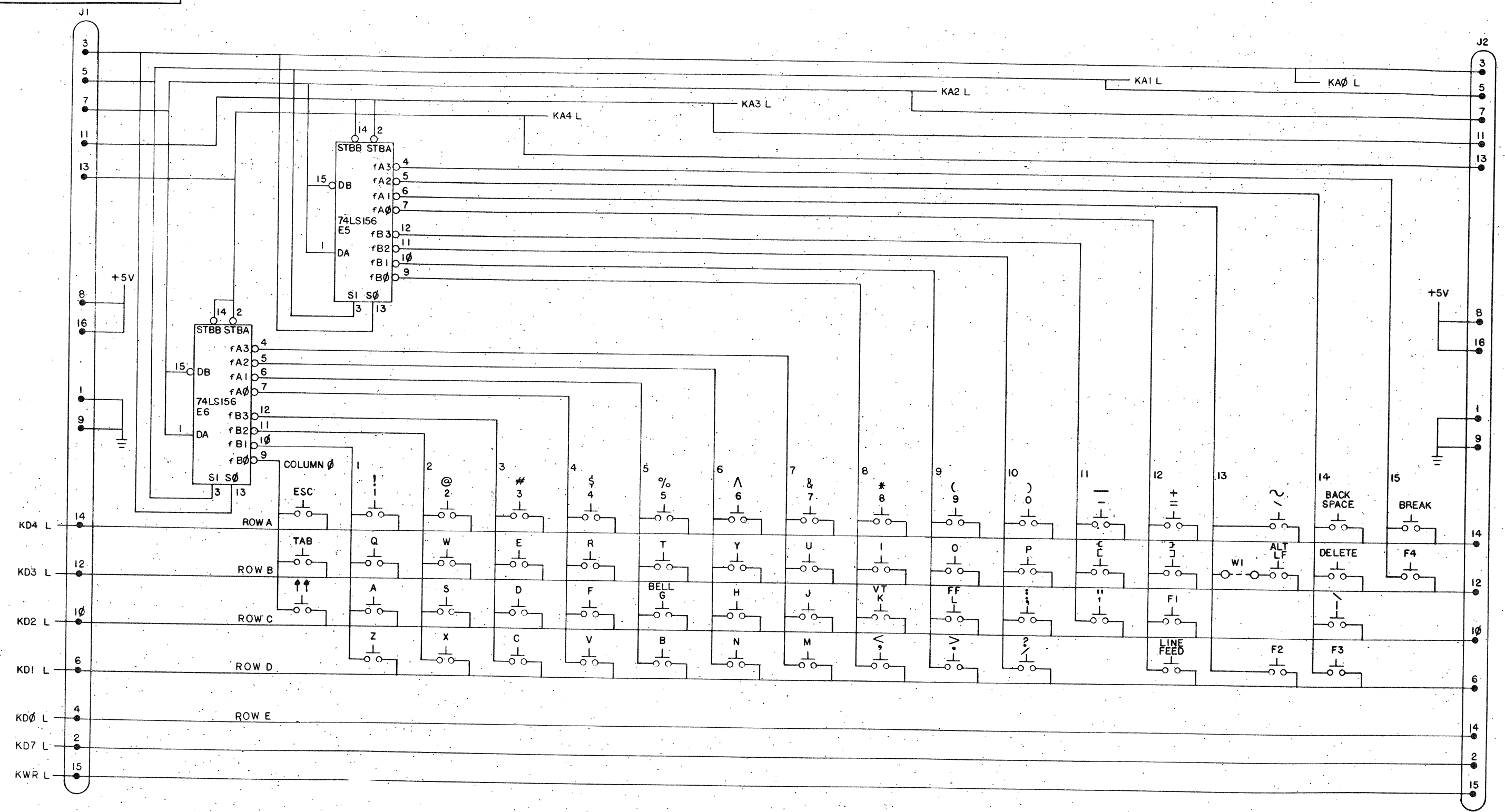
|       |                |           |        |        |             |      |   |
|-------|----------------|-----------|--------|--------|-------------|------|---|
| TITLE | KEYBOARD LA120 | SIZE CODE | DUA    | NUMBER | 5412642-0-0 | REV. | D |
| SCALE | 2/1            | SHEET     | 3 OF 3 | DIST.  |             |      |   |

| LINE | ITEM | DOCUMENT NUMBER | PART NUMBER | DESCRIPTION                    | QTY PER VARIATION | REFERENCE DESIGNATOR |
|------|------|-----------------|-------------|--------------------------------|-------------------|----------------------|
| 1    | 1    |                 | 5012641-00  | KEY BOARD (LA120) (ETCH BOARD) | 1                 |                      |
| 2    | 2    |                 | 1000042-00  | 1000.0 MMF 100V 5%200PPM DM15S | 1                 | C10                  |
| 3    | 3    |                 | 1001610-01  | .01 MFD 100V -20+80 Z5U DISC   | 10                | C1-C8,C11,C12        |
| 4    | 4    |                 | 1012084-01  | 8 MFD 25V G% 30D AL EL         | 1                 | C9                   |
| 5    | 5    |                 | 1110864-00  | LED 2MCD@10MA                  | 8                 | D1-D8                |
| 6    | 6    |                 | 1114589-00  | LED,4-DIGIT,10MA,3V,RED        | 1                 | E9                   |
| 7    | 7    |                 | 1215006-02  | SOCKET 16PIN IC LOW PROFILE    | 2                 | J1,J2                |
| 8    | 8    |                 | 1214981-00  | CONN 4PIN RT ANGLE             | 1                 | J3                   |
| 9    | 9    |                 | 1300309-00  | 390.0 .25 W 5.0 % CC           | 10                | R26-R28,R10-R16      |
| 10   | 10   |                 | 1300316-00  | 470.0 .25 W 5.0 % CC           | 9                 | R2-R9,R17            |
| 11   | 11   |                 | 1300479-00  | 10.0 K .25 W 5.0 % CC          | 8                 | R18-R25              |
| 12   | 12   |                 | 1302957-00  | 121.0 .25 W 1.0 % RN55D-F10    | 1                 | R1                   |
| 13   | 13   |                 | 1910047-00  | 74145 DECODER&DRIVER           | 1                 | E4                   |
| 14   | 14   |                 | 1911637-00  | 74132 NAND GATE-QUAD 2 IN      | 1                 | E1                   |
| 15   | 15   |                 | 1912648-00  | LS251 MUX 8 INPUT,TRI-STA      | 1                 | E8                   |
| 16   | 16   |                 | 1912849-00  | LS161 COUNTER,SYNCHR,4BIT      | 1                 | E3                   |
| 17   | 17   |                 | 1912860-00  | LS259 LATCH 8BIT               | 1                 | E2                   |
| 18   | 18   |                 | 1913950-00  | LS156 DECODER,2 OF 4(DUAL)     | 2                 | E5,E6                |
| 19   | 19   |                 | 2114580-00  | DECODER BCD-7/DRIVER           | 1                 | E7                   |
| 20   | 20   |                 | 7013910-00  | KEYBOARD ARRAY ASSY            | 1                 |                      |
| 21   | 21   |                 | 9010033-00  | SCREW,PAN,PHILLIPS, 4-24 X 3/8 | 5                 |                      |

| REVISION HISTORY |            | BASIC PART NO: 5412642 |                         | DRN:             | P.KENDIRCK | DATE:                | 15-FEB-78 | DIGITAL          |      |               |     |
|------------------|------------|------------------------|-------------------------|------------------|------------|----------------------|-----------|------------------|------|---------------|-----|
| ENG              | ECO NUMBER | REV                    | SECTION A OF A          | CHK'D:           | W.CASSIDY  | DATE:                | 15-FEB-78 | TITLE            |      |               |     |
| ---              | INIT       | C                      | SECTION VARIATION INDEX |                  |            |                      |           | PARTS LIST       |      |               |     |
| JB               | PN001      | D                      | [A] 00                  |                  |            |                      |           | KEYBOARD (LA120) |      |               |     |
|                  |            |                        | [B]                     | DES,ENG:         | R. LOMICKA | DATE:                | 18-APR-78 |                  |      |               |     |
|                  |            |                        | [C]                     | RESP,ENG,:       | R. LOMICKA | DATE:                | 18-APR-78 | DOCUMENT NUMBER  |      |               |     |
|                  |            |                        | [D]                     |                  |            |                      |           | SIZE             | CODE | NUMBER        | REV |
|                  |            |                        | [E]                     | MFG,ENG,:        | J. JOYCE   | DATE:                | 18-APR-78 | K                | PL   | 5412642-0-DBP | D   |
|                  |            |                        | [F]                     | ASSEMBLY NUMBER: |            | TOP DOCUMENT NUMBER: |           | FILE NAME:       |      | EDIT #        |     |
|                  |            |                        | [G]                     | D-UA-5412642-0-0 |            | LA120                |           | 12642D.PLS       |      | 20            |     |
|                  |            |                        | [H]                     |                  |            |                      |           |                  |      |               |     |
|                  |            |                        | [I]                     |                  |            |                      |           |                  |      |               |     |
|                  |            |                        | [J]                     |                  |            |                      |           |                  |      |               |     |
|                  |            |                        | [K]                     |                  |            |                      |           |                  |      |               |     |
|                  |            |                        | [L]                     |                  |            |                      |           |                  |      |               |     |
|                  |            |                        | [M]                     |                  |            |                      |           |                  |      |               |     |
|                  |            |                        | [N]                     |                  |            |                      |           |                  |      |               |     |

"THIS DRAWING AND SPECIFICATIONS HEREIN, ARE THE PROPERTY OF DIGITAL EQUIPMENT CORPORATION AND SHALL NOT BE REPRODUCED OR COPIED OR USED IN WHOLE OR IN PART AS THE BASIS FOR THE MANUFACTURE OR SALE OF ITEMS WITHOUT WRITTEN PERMISSION. COPYRIGHT (C) 1980, DIGITAL EQUIPMENT CORPORATION "

"THIS DRAWING AND SPECIFICATIONS, HEREIN, ARE THE PROPERTY OF DIGITAL EQUIPMENT CORPORATION AND SHALL NOT BE REPRODUCED OR COPIED OR USED IN WHOLE OR IN PART AS THE BASIS FOR THE MANUFACTURE OR SALE OF ITEMS WITHOUT WRITTEN PERMISSION.  
 COPYRIGHT © 1977, DIGITAL EQUIPMENT CORPORATION"



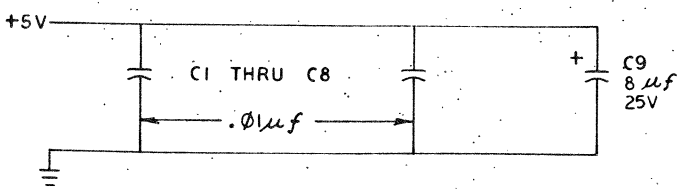
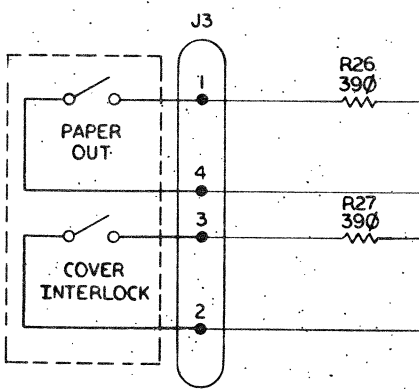
|            |               |
|------------|---------------|
| REV.       | D             |
| CHK        | J. BITTO      |
| CHANGE NO. | 5412642-PN001 |
| DATE       | 5/2/78        |

|                          |          |                   |                |                |
|--------------------------|----------|-------------------|----------------|----------------|
| DRN. <i>Jim Stange</i>   | 10/10/77 | FIRST USED ON     | LAI20          | digital        |
| CHK'D <i>Bob DeBacco</i> | 5/2/78   | TITLE             | KEYBOARD LAI20 |                |
| ENG. <i>Tom Laska</i>    | 4/18/78  | PROJECT           | 44278          |                |
| PROD. <i>Jim Stange</i>  | 10/10/77 | NEXT HIGHER ASSY. |                |                |
| SCALE                    | NONE     | SIZE              | D              | CS 5412642-0-1 |
| SHEET                    | 1 OF 2   | NUMBER            |                | REV. D         |

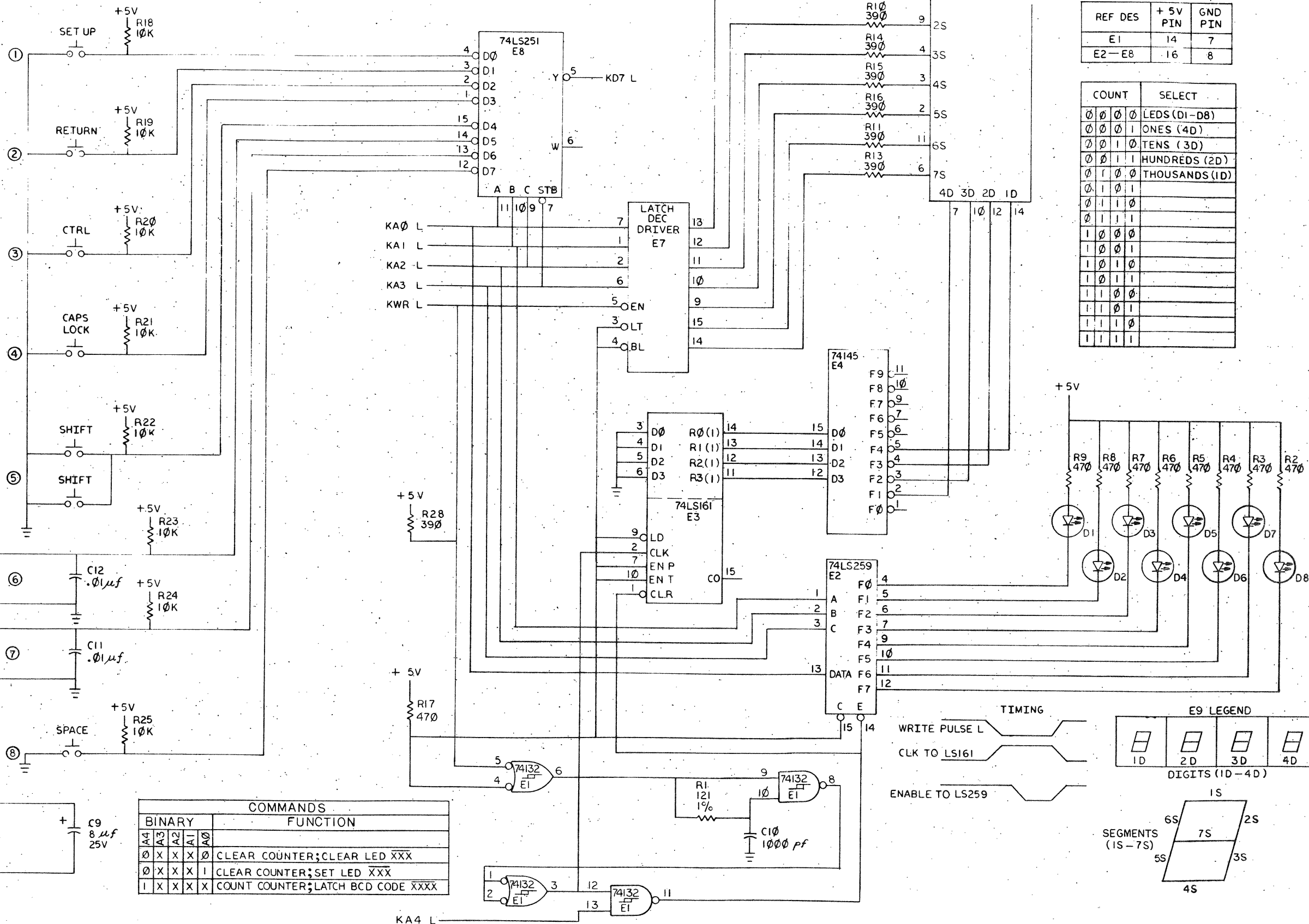
"THIS DRAWING AND SPECIFICATIONS, HEREIN, ARE THE PROPERTY OF DIGITAL EQUIPMENT CORPORATION AND SHALL NOT BE REPRODUCED OR COPIED OR USED IN WHOLE OR IN PART AS THE BASIS FOR THE MANUFACTURE OR SALE OF ITEMS WITHOUT WRITTEN PERMISSION. COPYRIGHT © 1977 DIGITAL EQUIPMENT CORPORATION"

| ADDRESS    | COLUMN    | SWITCHES     |
|------------|-----------|--------------|
| XXXX 10-17 | 0-7       | NOT SELECTED |
| XXXX 20-27 | 8-15      | SELECTED     |
| XXXX 00-07 | NOT VALID |              |
| XXXX 30-37 | NOT VALID |              |

| A4L | A3L | A2L | A1L | A0L | COLUMN # | SWITCH # |
|-----|-----|-----|-----|-----|----------|----------|
| 0   | 1   | 0   | 0   | 0   | 0        |          |
| 0   | 1   | 0   | 0   | 1   | 1        |          |
| 0   | 1   | 0   | 1   | 0   | 2        |          |
| 0   | 1   | 0   | 1   | 1   | 3        |          |
| 0   | 1   | 1   | 0   | 0   | 4        |          |
| 0   | 1   | 1   | 0   | 1   | 5        |          |
| 0   | 1   | 1   | 1   | 0   | 6        |          |
| 0   | 1   | 1   | 1   | 1   | 7        |          |
| 1   | 0   | 0   | 0   | 0   | 8        | ①        |
| 1   | 0   | 0   | 0   | 1   | 9        | ②        |
| 1   | 0   | 0   | 1   | 0   | 10       | ③        |
| 1   | 0   | 0   | 1   | 1   | 11       | ④        |
| 1   | 0   | 1   | 0   | 0   | 12       | ⑤        |
| 1   | 0   | 1   | 0   | 1   | 13       | ⑥        |
| 1   | 0   | 1   | 1   | 0   | 14       | ⑦        |
| 1   | 0   | 1   | 1   | 1   | 15       | ⑧        |

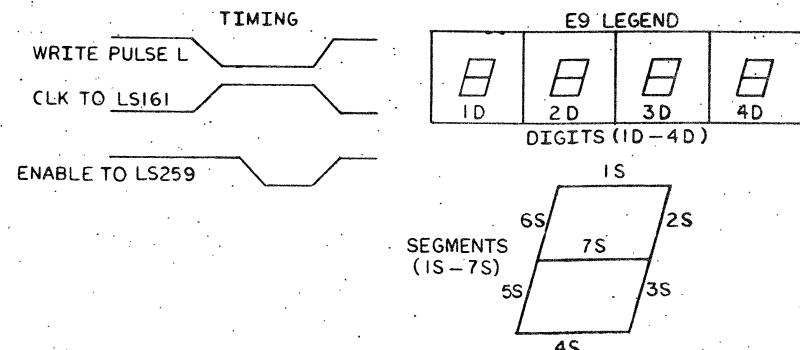
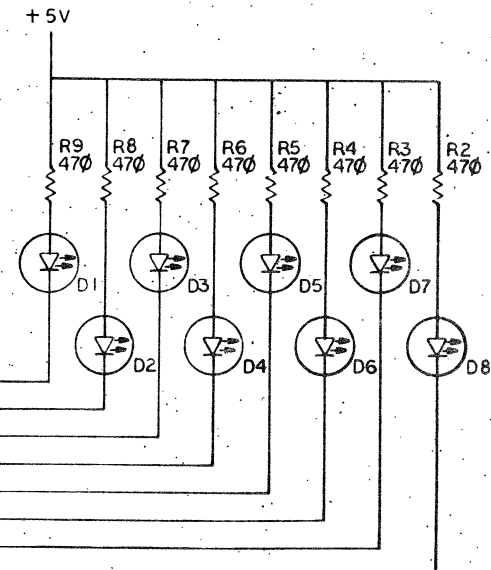


| COMMANDS       |                                    |
|----------------|------------------------------------|
| BINARY         | FUNCTION                           |
| A4 A3 A2 A1 A0 |                                    |
| 0 X X X 0      | CLEAR COUNTER; CLEAR LED XXX       |
| 0 X X X 1      | CLEAR COUNTER; SET LED XXX         |
| 1 X X X X      | COUNT COUNTER; LATCH BCD CODE XXXX |

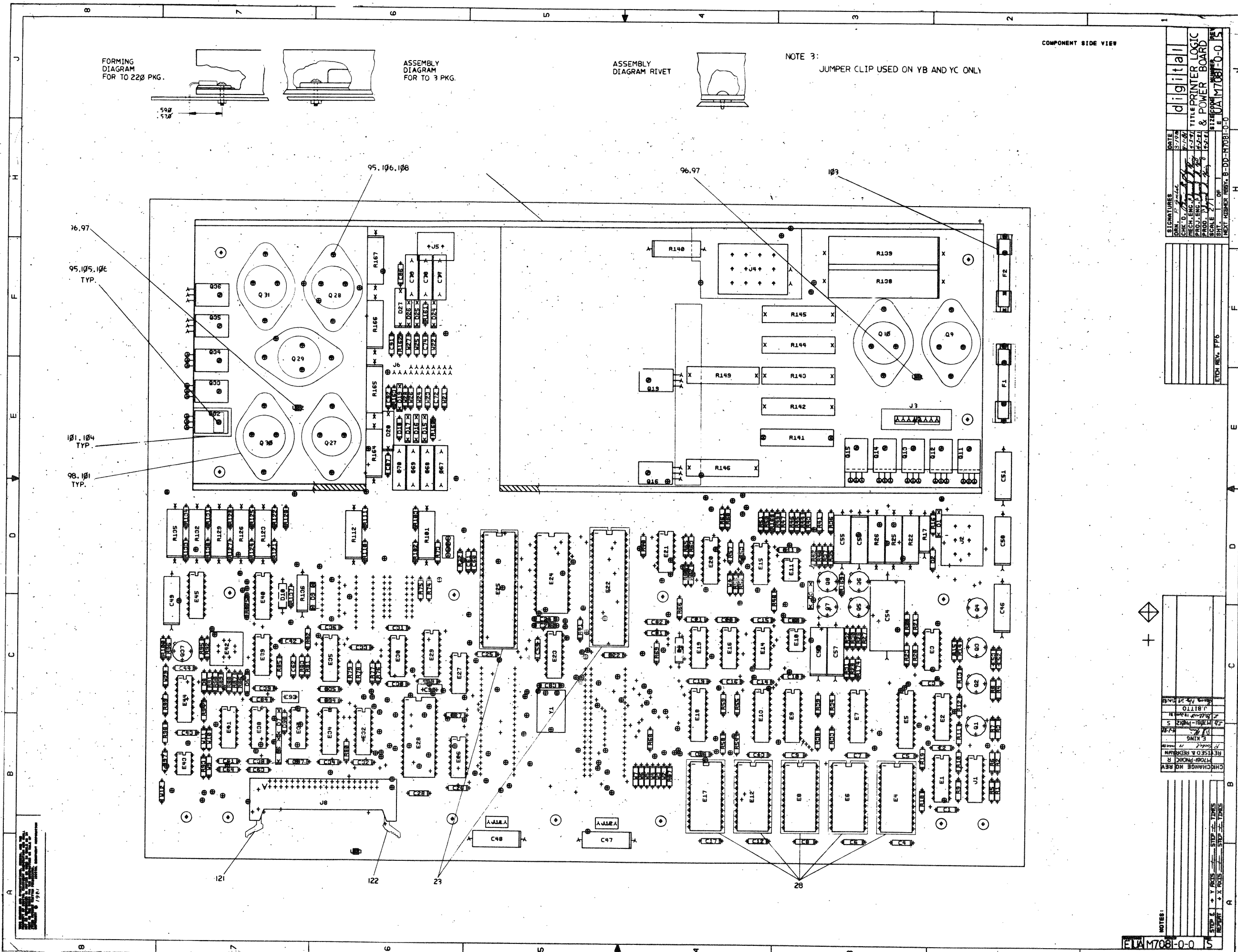


| REF DES | +5V PIN | GND PIN |
|---------|---------|---------|
| E1      | 14      | 7       |
| E2-E8   | 16      | 8       |

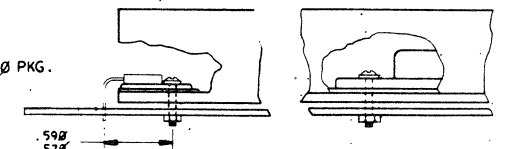
| COUNT   | SELECT         |
|---------|----------------|
| 0 0 0 0 | LEDS (D1-D8)   |
| 0 0 0 1 | ONES (4D)      |
| 0 0 1 0 | TENS (3D)      |
| 0 0 1 1 | HUNDREDS (2D)  |
| 0 1 0 0 | THOUSANDS (1D) |
| 0 1 0 1 |                |
| 0 1 1 0 |                |
| 0 1 1 1 |                |
| 1 0 0 0 |                |
| 1 0 0 1 |                |
| 1 0 1 0 |                |
| 1 0 1 1 |                |
| 1 1 0 0 |                |
| 1 1 0 1 |                |
| 1 1 1 0 |                |
| 1 1 1 1 |                |



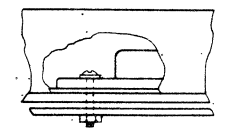
| REVISIONS |            |      |
|-----------|------------|------|
| CHK       | CHANGE NO. | REV. |
|           |            |      |



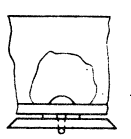
FORMING  
DIAGRAM  
FOR TO 220 PKG.



ASSEMBLY  
DIAGRAM  
FOR TO 3 PKG.



ASSEMBLY  
DIAGRAM  
RIVET



NOTE 3:  
JUMPER CLIP USED ON YB AND YC ONLY

COMPONENT SIDE VIEW

95, 105, 106  
TYP.

101, 104  
TYP.

98, 101  
TYP.

|                        |          |              |                     |
|------------------------|----------|--------------|---------------------|
| SIGNATURES             | DATE     | REV          | DESCRIPTION         |
| CHK. D. [Signature]    | 5/7/76   | 1            | digital             |
| MECH. ENG. [Signature] | 7/7/76   | 2            | TITLE PRINTER LOGIC |
| PROD. [Signature]      | 11/21/76 | 3            | & POWER BOARD       |
| DATE                   | 11/22/76 | 4            | BY [Signature]      |
| SCALE                  | 1/1      | 5            | ITEM # [Signature]  |
| REV. NUMBER            | REV. B   | DD-HY081-0-0 | DATE [Signature]    |
| ETCH REV.              | FP6      | ETAM7081-0-0 | REV. #              |

|                 |             |
|-----------------|-------------|
| CHG. CHANGE NO. | 1           |
| DESIGNED BY     | R. KING     |
| CHECKED BY      | [Signature] |
| DATE            | 5/7/76      |
| REV.            | 1           |
| REV. 2          | 7/7/76      |
| REV. 3          | 11/21/76    |
| REV. 4          | 11/22/76    |
| REV. 5          | [Signature] |
| REV. 6          | [Signature] |
| REV. 7          | [Signature] |
| REV. 8          | [Signature] |
| REV. 9          | [Signature] |
| REV. 10         | [Signature] |

|        |         |
|--------|---------|
| NOTES: |         |
| STEP 1 | Y PAGES |
| STEP 2 | Z PAGES |
| STEP 3 | X PAGES |
| STEP 4 | W PAGES |

| LINE ITEM | DOCUMENT NUMBER | PART NUMBER       | DESCRIPTION                   | QTY PER VARIATION           |    |    | REFERENCE DESIGNATOR  |  |
|-----------|-----------------|-------------------|-------------------------------|-----------------------------|----|----|---|--|
|           |                 |                   |                               | 00                          | YB | YC |   |  |
| 1         | 1               | 5012080-00        | M7081                         | 1                           | 1  | 1  |   |  |
| 2         | 2               | 1000038-00        | .39 MFD 100V 10% MYLR         | 1                           | 1  | 1  | C54   |  |
| 3         | 3               | 1000075-00        | .25 MFD 25V +75-10% AL EL     | 6                           | 6  | 6  | C46-C51   |  |
| 4         | 4               | 1001610-00        | .01 MFD 50V +80-20% Z5U CER   | 47                          | 47 | 47 | C1-C30,C32,C34,C35,C37-C39,<br>CONT C41-C44,C80-C84,C91,C92 |  |
| 5         | 5               | 1002323-00        | .022 MFD 100V 10% MYLR        | 1                           | 1  | 1  | C57   |  |
| 6         | 6               | 1002342-00        | .1 MFD 100V 10% MYLR          | 2                           | 2  | 2  | C56,C58   |  |
| 7         | 7               | 1002423-00        | 3300.0 MMF 100V 5%200PPM MICA | 7                           | 7  | 7  | C67-C70,C77-C79   |  |
| 8         | 8               | 1010031-06        | .68 MFD 50V 10% N.POLYCARB    | 1                           | 1  | 1  | C55   |  |
| 9         | 9               | 1010274-01        | .22 MFD 50V +80-20% Z5U CER   | 2                           | 2  | 2  | C52,C53   |  |
| 10        | 10              | 1013466-12        | 2200.0 MMF 50V 10% X7R CER    | 1                           | 1  | 1  | C62   |  |
| 11        | 11              | 1013466-13        | 39.0 MMF 50V 5% CER           | 3                           | 3  | 3  | C59-C61   |  |
| 12        | 12              | 1013466-16        | .010 MFD 50V 10% X7R CER      | 4                           | 4  | 4  | C72,C74,C86,C87   |  |
| 13        | 13              | 1100114-00        | D 664 QS\75PCB PIV= 25V SP    | 3                           | 3  | 3  | D2,D5,D8  |  |
| 14        | 14              | 1105796-00        | 1N 4004 PIV=400 I= 1A D041 SP | 12                          | 12 | 12 | D1,D3,D6,D7,D9,D15-D17,D19,<br>CONT D24-D26                 |  |
| 15        | 15              | 1105873-00        | 4M5-1AZ1 VZ= 5.1 1% .400W     | 2                           | 2  | 2  | D4,D10  |  |
| 16        | 16              | 1114507-00        | 1N 4749A VZ= 24 5% 1W         | 2                           | 2  | 2  | D20,D27   |  |
| 17        | 17              | 1114588-00        | NSR81408A PIV=50 I=4A T03     | 1                           | 1  | 1  | Q29   |  |
| 18        | 18              | 1209941-02        | HEADER 100 40POS RT ANGLE     | 1                           | 1  | 1  | J8  |  |
| 19        | 19              | 1211813-02        | SKT,IC 16PIN DIP GOLD PLATE   | 1                           | 1  | 1  | J1  |  |
| 20        | 20              | 1212297-00        | MATE=N=LOK 2PIN UNIV HEADER   | 1                           | 1  | 1  | J5  |  |
| 21        | 21              | 1212297-05        | MATE=N=LOK 6PIN UNIV HEADER   | 1                           | 1  | 1  | J2  |  |
| 22        | 22              | 1212297-06        | MATE=N=LOK 12PIN UNIV HEADER  | 1                           | 1  | 1  | J4  |  |
| 23        | 23              | USE WITH E22,E25  | 1215006-08                    | SKT,IC 40PIN DIP TIN PLATEE | 2  | 2  | 2   |  |
| 24        | 24              | 1213477-02        | HEADER 16POS                  | 1                           | 1  | 1  | J6  |  |
| 25        | 25              | 1214886-01        | HEADER 40POS VERTICAL         | 1                           | 1  | 1  | J9  |  |
| 26        | 26              | 1214978-00        | CONN 4POS WAFER-POLARIZIN     | 1                           | 1  | 1  | J7  |  |
| 27        | 27              | 1214978-01        | CONN 8POS WAFER-POLARIZIN     | 1                           | 1  | 1  | J3  |  |
| 28        | 28              | WITH E4,6,8,12,17 | 1215006-06                    | SKT,IC 24PIN DIP TIN PLATEE | 5  | 5  | 5   |  |

| REVISION HISTORY |             |     | BASIC PART NO: M7081    |                  | DRN: J. FITZGERALD |                      | DATE: 24-MAR-78 |                               | DIGITAL |             |     |
|------------------|-------------|-----|-------------------------|------------------|--------------------|----------------------|-----------------|-------------------------------|---------|-------------|-----|
| ENGR             | ECO NUMBER  | REV | SECTION A OF A          | CHK'D:           | R. HUMMERS         | DATE:                | 28-MAR-78       | TITLE PARTS LIST              |         |             |     |
| ---              | INIT        | D   | SECTION VARIATION INDEX |                  |                    |                      |                 | PRINTER LOGIC AND POWER BOARD |         |             |     |
| LG               | M7081-PN001 | E   | [A] 00,YB,YC            |                  |                    |                      |                 |                               |         |             |     |
| JB               | M7081-PN002 | F   | [B]                     |                  |                    |                      |                 |                               |         |             |     |
| RO               | PN003       | H   | [C]                     | DES,ENG:         | R. LOMICKA         | DATE:                | 11-APR-78       | DOCUMENT NUMBER               |         |             |     |
| JB               | PN004       | J   | [D]                     |                  |                    |                      |                 |                               |         |             |     |
| JB               | PN005       | K   | [E]                     |                  |                    |                      |                 |                               |         |             |     |
| JB               | PN006       | L   | [F]                     | RESP,ENG.:       | R. LOMICKA         | DATE:                | 11-APR-78       | SIZE                          | CODE    | NUMBER      | REV |
| JB               | PN007       | M   | [H]                     |                  |                    |                      |                 |                               |         |             |     |
| JB               | M7081-PN008 | N   | [J]                     |                  |                    |                      |                 | K                             | PL      | M7081-0-DBP | T   |
| JB               | M7081-PN009 | P   | [K]                     | MFG,ENG.:        | J. JOYCE           | DATE:                | 11-APR-78       |                               |         |             |     |
| JB               | M7081-PN010 | R   | [L]                     |                  |                    |                      |                 |                               |         |             |     |
| JB               | M7081-PN011 | S   | [M]                     | ASSEMBLY NUMBER: |                    | TOP DOCUMENT NUMBER: |                 | FILE NAME:                    |         | EDIT #:     |     |
| JB               | M7081-PN012 | T   | [N]                     | E-UA-M7081-0-00  |                    | B-DD-M7081-0-0       |                 | M7081T,PLS                    |         | 29          |     |

"THIS DRAWING AND SPECIFICATIONS HEREIN, ARE THE PROPERTY OF DIGITAL EQUIPMENT CORPORATION AND SHALL NOT BE REPRODUCED OR COPIED OR USED IN WHOLE OR IN PART AS THE BASIS FOR THE MANUFACTURE OR SALE OF ITEMS WITHOUT WRITTEN PERMISSION. COPYRIGHT (C) 1981. DIGITAL EQUIPMENT CORPORATION"

| LINE ITEM | DOCUMENT NUMBER | PART NUMBER | DESCRIPTION | QTY PER VARIATION |      |     | REFERENCE DESIGNATOR |                           |    |    |     |   |
|-----------|-----------------|-------------|-------------|-------------------|------|-----|----------------------|---------------------------|----|----|-----|---|
|           |                 |             |             | 00                | YB   | YC  |                      |                           |    |    |     |   |
| 29        | 29              | 1300171-00  | 10.0        | 1.0               | W    | 5.0 | CC                   | 1                         | 1  | 1  | R22 |   |
| 30        | 30              | 1300295-00  | 330.0       |                   | .25  | W   | 5.0                  | CC                        | 3  | 3  | 3   | R12,R69,R96   |
| 31        | 31              | 1300316-00  | 470.0       |                   | .25  | W   | 5.0                  | CC                        | 3  | 3  | 3   | R15,R162,R163   |
| 32        | 32              | 1300365-00  | 1.0         | K                 | .25  | W   | 5.0                  | CC                        | 29 | 29 | 29  | R3,R4,R11,R13,R14,R20,R21,R23,<br>R24,R27,R30,R36,R37,R49,R67,R68,<br>R70,R71,R79,R94,R80,R52,R53,R56,<br>R57,R62,R65,R63,R64 |
|           |                 |             |             |                   |      |     |                      |                           |    |    |     | CONT  |
|           |                 |             |             |                   |      |     |                      |                           |    |    |     | CONT  |
|           |                 |             |             |                   |      |     |                      |                           |    |    |     | CONT  |
| 33        | 33              | 1300391-00  | 1.50        | K                 | .25  | W   | 5.0                  | CC                        | 6  | 6  | 6   | R1,R2,R5,R6,R9,R10  |
| 34        | 34              | 1300415-00  | 2.20        | K                 | .50  | W   | 5.0                  | CC                        | 2  | 2  | 2   | R17,R136  |
| 35        | 35              | 1300417-00  | 2.20        | K                 | .25  | W   | 5.0                  | CC                        | 8  | 8  | 8   | R16,R76,R85-R87,R89,R90,R92   |
| 36        | 36              | 1300426-00  | 2.70        | K                 | .25  | W   | 5.0                  | CC                        | 2  | 2  | 2   | R73,R75   |
| 37        | 37              | 1300447-00  | 4.70        | K                 | .25  | W   | 5.0                  | CC                        | 17 | 17 | 17  | R8,R18,R19,R66,R91,R82,R93,R99,<br>R103,R111,R120,R122,R125,R128,<br>R131,R134,R175   |
|           |                 |             |             |                   |      |     |                      |                           |    |    |     | CONT  |
|           |                 |             |             |                   |      |     |                      |                           |    |    |     | CONT  |
|           |                 |             |             |                   |      |     |                      |                           |    |    |     | CONT  |
| 38        | 38              | 1300479-00  | 10.0        | K                 | .25  | W   | 5.0                  | CC                        | 9  | 9  | 9   | R40,R42,R46,R47,R88,R95,R97,R98,<br>R168  |
|           |                 |             |             |                   |      |     |                      |                           |    |    |     | CONT  |
| 39        | 39              | 1301327-00  | 68.0        | K                 | .25  | W   | 5.0                  | CC                        | 2  | 2  | 2   | R50,R41   |
| 40        | 40              | 1301422-00  | 7.50        | K                 | .25  | W   | 5.0                  | CC                        | 8  | 8  | 8   | R33,R34,R38,R39,R54,R55,R58,R59   |
| 41        | 41              | 1303048-00  | 560.0       |                   | 1.0  | W   | 5.0                  | CC                        | 6  | 6  | 6   | R25,R26,R164-R167   |
| 42        | 42              | 1304839-00  | 51.0        | K                 | .25  | W   | 5.0                  | CC                        | 1  | 1  | 1   | R174  |
| 43        | 43              | 1304854-00  | 5.11        | K                 | .25  | W   | 1.0                  | CC                        | 4  | 4  | 4   | R28,R32,R35,R44   |
| 44        | 44              | 1309346-00  | 27.0        | K                 | .25  | W   | 5.0                  | CC                        | 4  | 4  | 4   | R72,R74,R100,R137   |
| 45        | 45              | 1309422-00  | 5.10        |                   | .25  | W   | 5.0                  | CC                        | 1  | 1  | 1   | R31   |
| 46        | 46              | 1309595-00  | 1.0         | M                 | .25  | W   | 5.0                  | CC                        | 8  | 8  | 8   | R7,R102,R110,R121,R124,R127,<br>R130,R133   |
|           |                 |             |             |                   |      |     |                      |                           |    |    |     | CONT  |
| 47        | 47              | 1310606-00  | 75.0        |                   | 10.0 | W   | 5.0                  | WH                        | 2  | 2  | 2   | R138,R139   |
| 48        | 48              | 1310881-04  | 150.0       |                   | .25  | W   | 5.0                  | FUSE                      | 2  | 2  | 2   | R160,R161   |
| 49        | 49              | 1312618-00  | 16.90       | K                 | .25  | W   | 1.0                  | CC                        | 1  | 1  | 1   | R60   |
| 50        | 50              | 1312928-00  | 51.0        |                   | .25  | W   | 5.0                  | CC                        | 1  | 1  | 1   | R29   |
| 51        | 51              | 1313844-00  | 221.0       | K                 | .25  | W   | 1.0                  | CC                        | 1  | 1  | 1   | R48   |
| 52        | 52              | 1314515-00  | 1.50        | K                 | 1.0  | W   | 5.0                  | CC                        | 7  | 7  | 7   | R101,R112,R123,R126,R129,R132,<br>R135  |
|           |                 |             |             |                   |      |     |                      |                           |    |    |     | CONT  |
| 53        | 53              | 1314516-00  | 200.0       | K                 | .25  | W   | 5.0                  | CC                        | 1  | 1  | 1   | R43   |
| 54        | 54              | 1314547-00  | .075        |                   | 3.0  | W   | 3.0                  | WH                        | 1  | 1  | 1   | R140  |
| 55        | 55              | 1316105-00  | 1.82        |                   | 5.0  | W   | 1.0                  | WH                        | 7  | 7  | 7   | R141-R146,R149  |
| 56        | 56              | 1314988-00  | 6.65        | K                 | .25  | W   | 1.0                  | CC                        | 1  | 1  | 1   | R61   |
| 57        | 57              | 1314989-00  | 11.30       | K                 | .25  | W   | 1.0                  | CC                        | 1  | 1  | 1   | R51   |
| 58        | 58              | 1314990-00  | 158.0       | K                 | .25  | W   | 1.0                  | CC                        | 1  | 1  | 1   | R45   |
| 59        | 59              | 1510705-00  | XA 05       |                   |      |     |                      | NPN 500MW SI 60 50 P      | 3  | 3  | 3   | Q2,Q3,Q6  |
| 60        | 60              | 1510706-00  | XA 55       |                   |      |     |                      | PNP 500MW SI 60 50 P      | 6  | 6  | 6   | Q1,Q4,Q5,Q7,Q8,Q37  |
| 61        | 61              | 1511282-00  | MJ2500      |                   |      |     |                      | PNP 150NC SI 60 5 1K 5A   | 3  | 3  | 3   | Q10,Q30,Q31   |
| 62        | 62              | 1511349-00  | TIP 640     |                   |      |     |                      | (OR MJ3000) NPN DARLNGT   | 3  | 3  | 3   | Q9,Q27,Q28  |
| 63        | 63              | 1514508-00  | TIP 121     |                   |      |     |                      | NPN 65W SI 80 1000 8      | 11 | 11 | 11  | Q12-Q16,Q19,Q32-Q36   |
| 64        | 64              | 1514509-00  | TIP 125     |                   |      |     |                      | PNP 65W SI 60 500 8A      | 1  | 1  | 1   | Q11   |
| 65        | 65              | 1809880-06  | XTAL        |                   |      |     |                      | 18,000 MHZ                | 1  | 1  | 1   | Y1  |
| 66        | 66              | 1910298-00  |             |                   |      |     |                      | 741 OP AMP GEN PURP. COM  | 1  | 1  | 1   | E10   |
| 67        | 67              | 1910322-00  | DEC         |                   |      |     |                      | 1488L DRIVER,LINE,QUAD,EI | 1  | 1  | 1   | E38   |
| 68        | 68              | 1910741-00  |             |                   |      |     |                      | 7406 INVERTER GATE=HEX 11 | 2  | 2  | 2   | E3,E30  |

|   |   |   |   |   |   |   |                               |           |      |      |      |                 |     |
|---|---|---|---|---|---|---|-------------------------------|-----------|------|------|------|-----------------|-----|
| D | I | G | I | T | A | L | TITLE                         | SECTION A | OF A | SIZE | CODE | DOCUMENT NUMBER | REV |
|   |   |   |   |   |   |   | PRINTER LOGIC AND POWER BOARD |           |      |      |      | M7081-0-DBP     | T   |





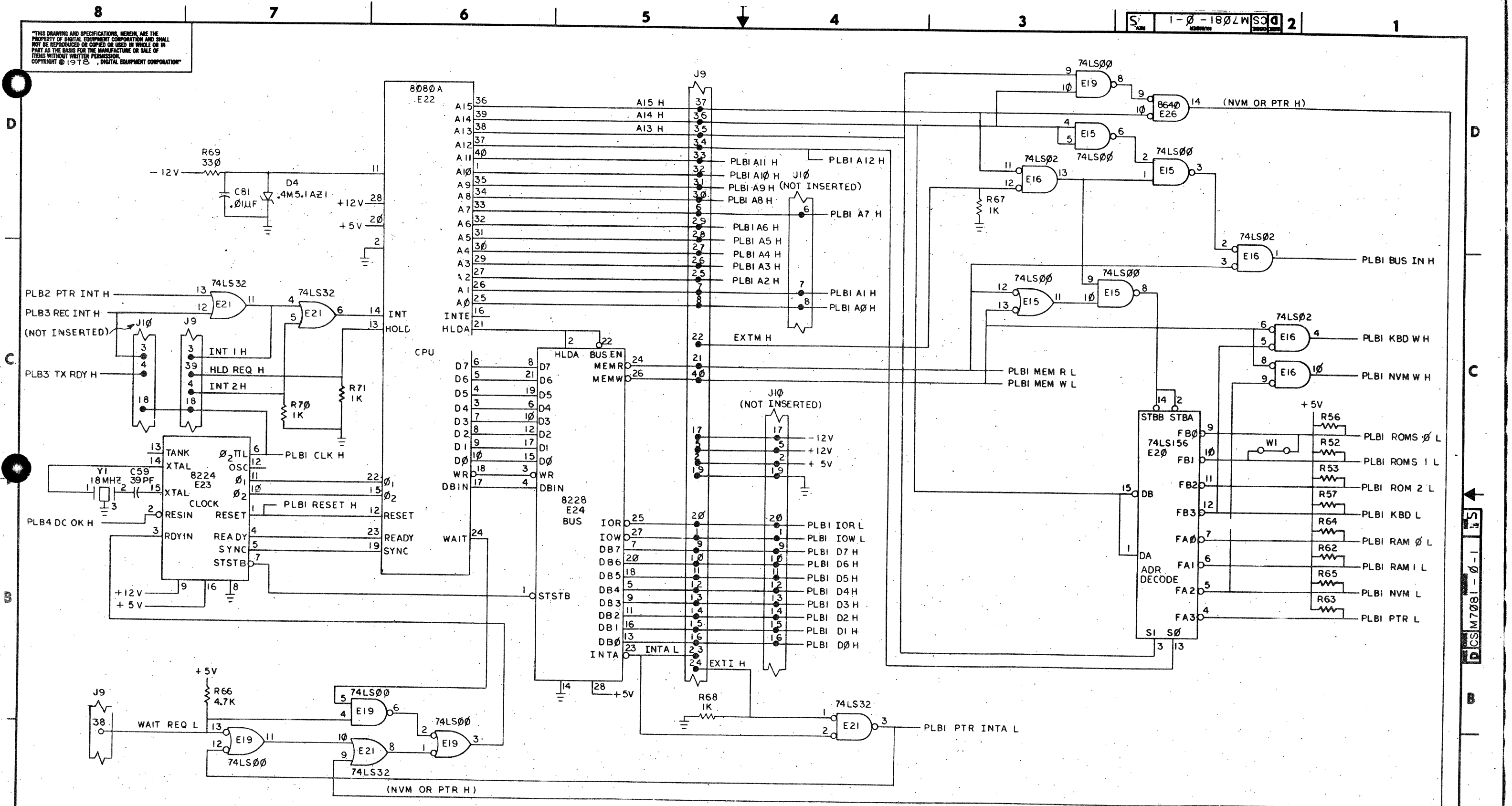
| LINE ITEM | DOCUMENT NUMBER | PART NUMBER      | DESCRIPTION                 | QTY PER VARIATION |     |     | REFERENCE DESIGNATOR |
|-----------|-----------------|------------------|-----------------------------|-------------------|-----|-----|----------------------|
|           |                 |                  |                             | 00                | YB  | YC  |                      |
| 116       | 116             | 1913950-00       | LS156 DECODER, 2 OF 4(DUAL) | 1                 | 1   | 1   | E20                  |
| 117       | 117             | 23086E2-00       | E2-02                       | -                 | 1   | -   | E4                   |
| 118       | 118             | 23004E4-00       | E4-02                       | -                 | 1   | -   | E6                   |
| 119       | 119             | 1215899-01       | CLIP, JUMPER, .400CENTERS   | -                 | 1   | 1   | W29                  |
| 120       | 120             | 1215901-01       | HEADER 2PIN STRAIGHT        | -                 | 1   | 1   | W29                  |
| 121       | 121             | 1209941-03       | HEADER RT ANGLE LEFT L      | 1                 | 1   | 1   |                      |
| 122       | 122             | 1209941-04       | HEADER RT ANGLE, RIGHT      | 1                 | 1   | 1   |                      |
| 123       | 123             | A-SP-3700443-0-0 | INSTR PKG MODULE M7081      | REF               | REF | REF |                      |
| 124       | 124             | A-SP-3700428-0-0 | PKG BULK CARTON 99-06476-26 | REF               | REF | REF |                      |

- 125 NOTE: FOR INDIVIDUAL FIELD SERVICE/CUSTOMER SPARES SHIPMENTS USE
- 126 NOTE: PACKAGING INSTRUCTIONS A-SP-3700443-0-0, VARIATION 00 FOR
- 127 NOTE: BULK INTERPLANT SHIPMENTS USE PACKAGING INSTRUCTIONS
- 128 NOTE: A-SP-3700428-0-0, VARIATION 03.

|   |   |   |   |   |   |   |                               |                |      |      |                 |     |
|---|---|---|---|---|---|---|-------------------------------|----------------|------|------|-----------------|-----|
| D | I | G | I | T | A | L | TITLE                         | SECTION A OF A | SIZE | CODE | DOCUMENT NUMBER | REV |
|   |   |   |   |   |   |   | PRINTER LOGIC AND POWER BOARD |                | K    | PI   | M7081-0-DBP     | T   |

"THIS DRAWING AND SPECIFICATIONS, HEREIN, ARE THE PROPERTY OF DIGITAL EQUIPMENT CORPORATION AND SHALL NOT BE REPRODUCED OR COPIED OR USED IN WHOLE OR IN PART AS THE BASIS FOR THE MANUFACTURE OR SALE OF ITEMS WITHOUT WRITTEN PERMISSION. COPYRIGHT © 1978, DIGITAL EQUIPMENT CORPORATION"

1-0-1802WS02

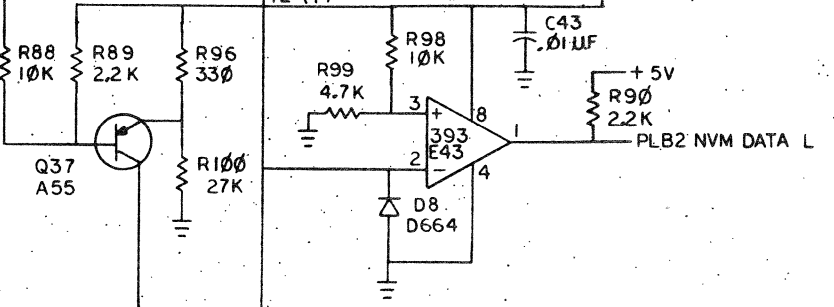
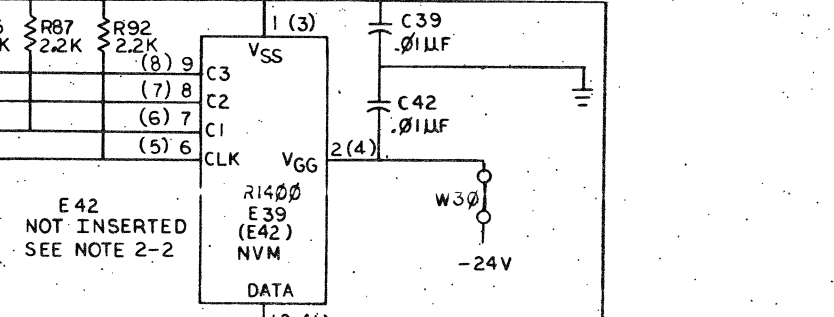
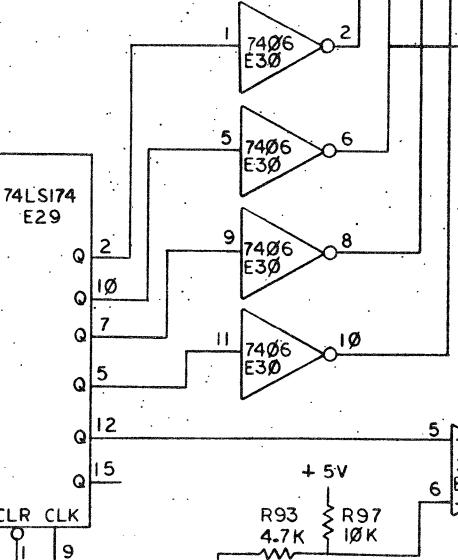
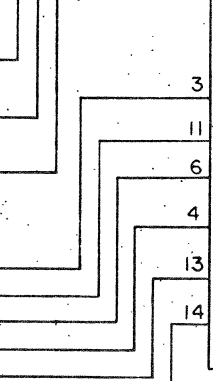
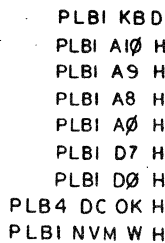
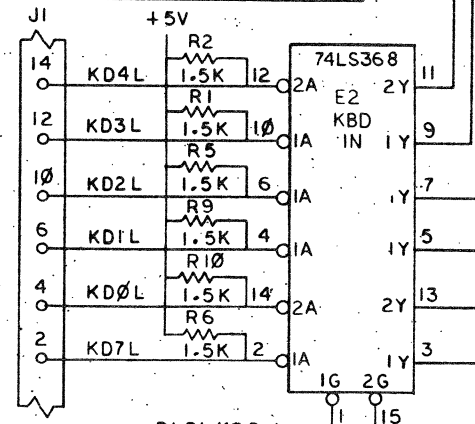
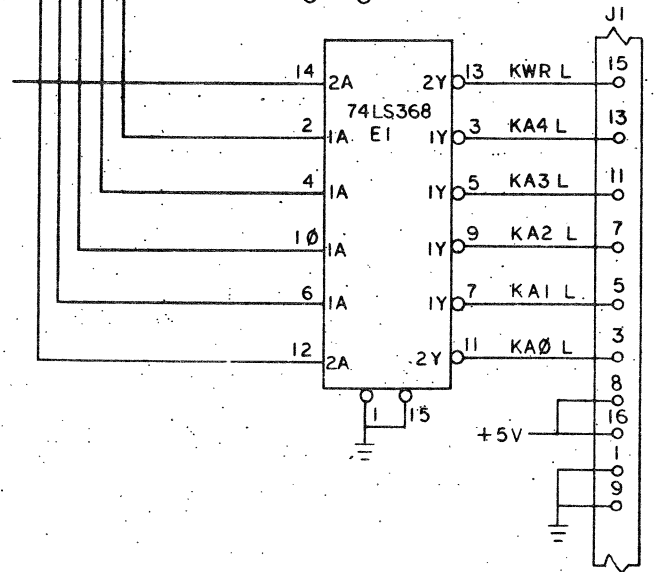
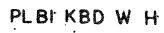
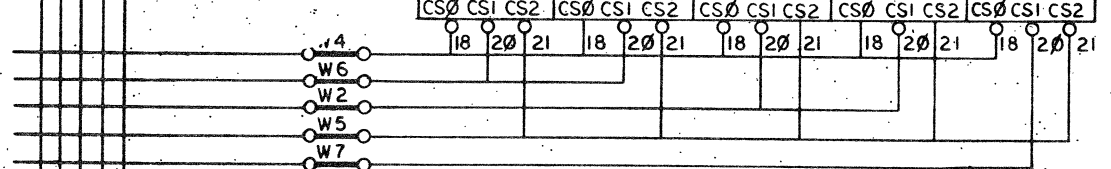
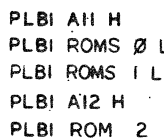
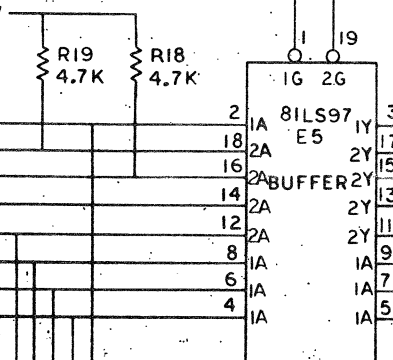
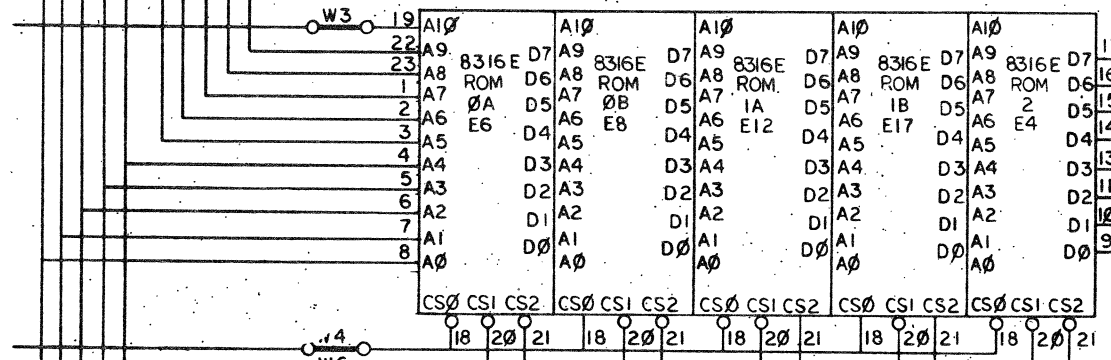
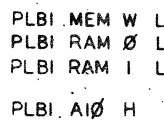
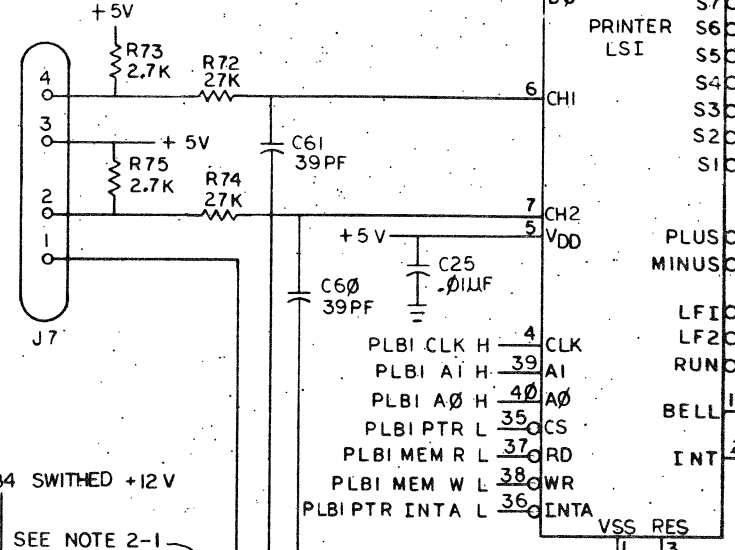
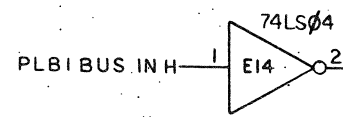
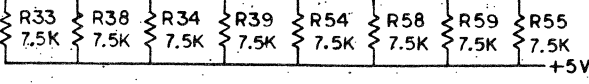
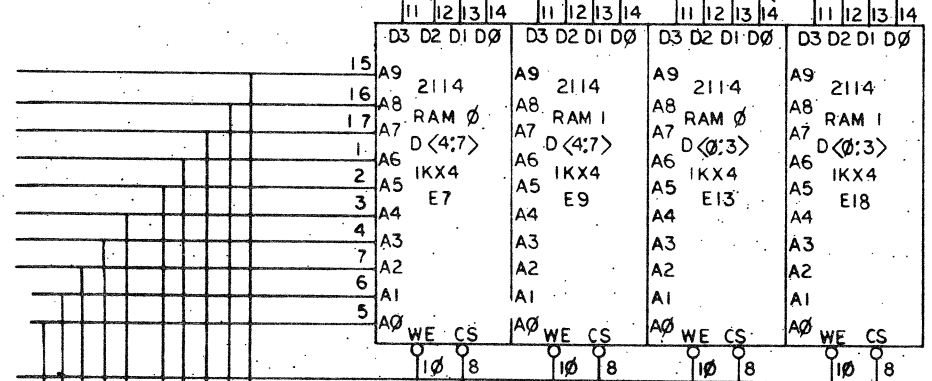
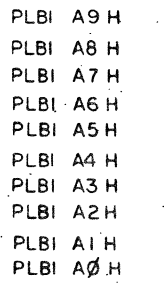
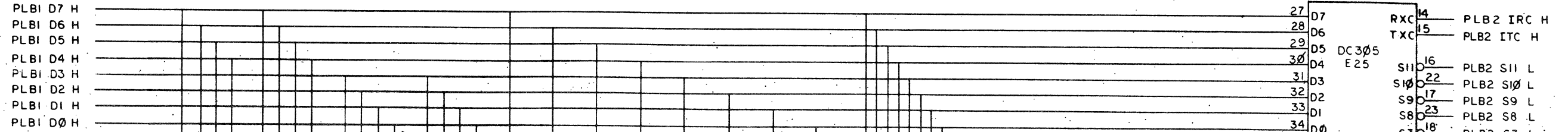


| REV | DATE     | BY       | CHK'D | DESCRIPTION             |
|-----|----------|----------|-------|-------------------------|
| 1   | 21-11-79 | J. BITTO |       | INITIAL DESIGN          |
| 2   | 21-11-79 | J. BITTO |       | REVISED FOR MANUFACTURE |
| 3   | 21-11-79 | J. BITTO |       | REVISED FOR MANUFACTURE |
| 4   | 21-11-79 | J. BITTO |       | REVISED FOR MANUFACTURE |
| 5   | 21-11-79 | J. BITTO |       | REVISED FOR MANUFACTURE |
| 6   | 21-11-79 | J. BITTO |       | REVISED FOR MANUFACTURE |
| 7   | 21-11-79 | J. BITTO |       | REVISED FOR MANUFACTURE |
| 8   | 21-11-79 | J. BITTO |       | REVISED FOR MANUFACTURE |

|                              |                        |   |          |
|------------------------------|------------------------|---|----------|
| CPU, CLOCK, BUS, ADR DECODE. |                        | FIRST USED ON LA120                         |          |
| DRN: [Signature]             | CHK'D: [Signature]     | TITLE: PRINTER LOGIC AND POWER BOARD (PLBI) |          |
| ENG: [Signature]             | PROJ. ENG: [Signature] | NEXT HIGHER ASSY: B-DD-M7081-0              |          |
| PROD: [Signature]            |                        | SIZE: D                                     | CODE: CS |
|                              |                        | NUMBER: M7081-0-1                           | REV: S   |
| SHEET: 1                     | OF 6                   | DIST:                                       |          |

"THIS DRAWING AND SPECIFICATIONS, HEREIN, ARE THE PROPERTY OF DIGITAL EQUIPMENT CORPORATION AND SHALL NOT BE REPRODUCED OR COPIED OR USED IN WHOLE OR IN PART AS THE BASIS FOR THE MANUFACTURE OR SALE OF ITEMS WITHOUT WRITTEN PERMISSION. COPYRIGHT © 1971 DIGITAL EQUIPMENT CORPORATION"

REV. 1-0-1802W SCD 2



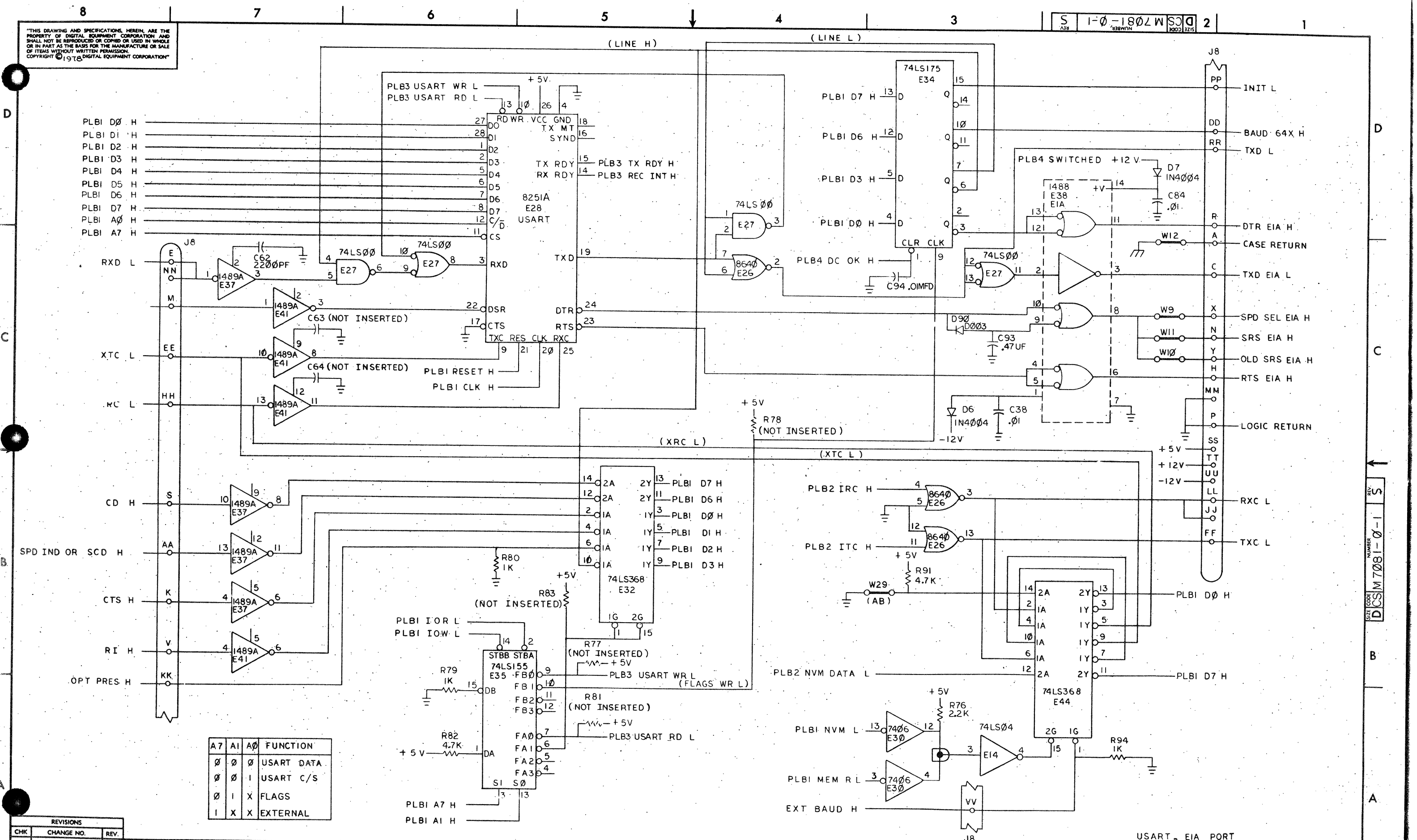
NOTES:  
2-1. FOUR RUNS RETURNED INDEPENDENTLY TO GROUND AT PIN 1 OF DC305 (E25) WITH NO SHARED ETCH.  
2-2. PIN NUMBERS IN ( ) REFER TO E42.

ROM, RAM, KBD PORT, NVM, PRINTER LSI.

Table with columns: REVISIONS, CHK, CHANGE NO., REV.

THIS DRAWING AND SPECIFICATIONS, HEREIN, ARE THE PROPERTY OF DIGITAL EQUIPMENT CORPORATION AND SHALL NOT BE REPRODUCED OR COPIED OR USED IN WHOLE OR IN PART AS THE BASIS FOR THE MANUFACTURE OR SALE OF ITEMS WITHOUT WRITTEN PERMISSION. COPYRIGHT © 1978 DIGITAL EQUIPMENT CORPORATION

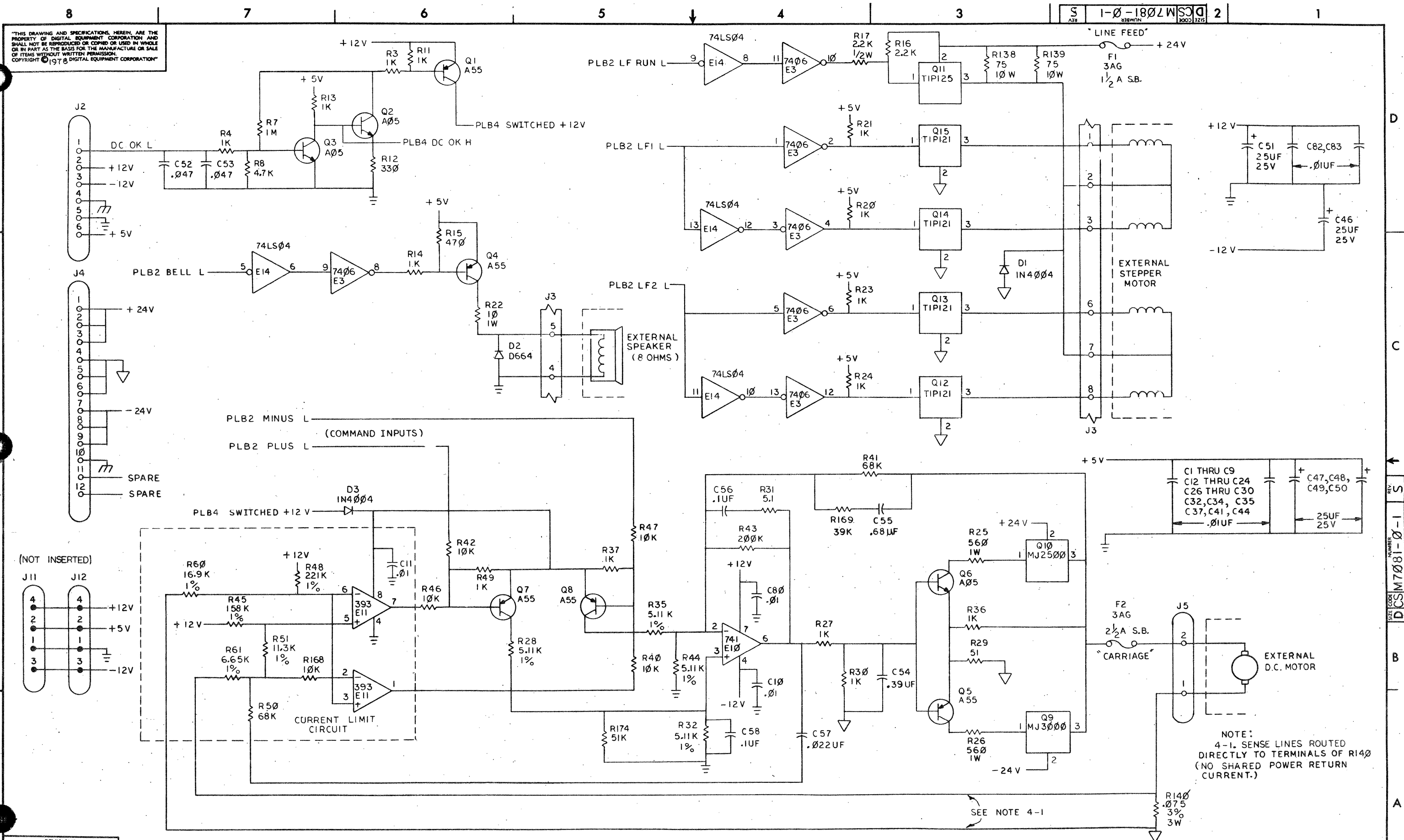
5 1-0-1802 WCS 2



| A7 | A1 | A0 | FUNCTION   |
|----|----|----|------------|
| 0  | 0  | 0  | USART DATA |
| 0  | 0  | 1  | USART C/S  |
| 0  | 1  | X  | FLAGS      |
| 1  | X  | X  | EXTERNAL   |

| REVISIONS |            |      |
|-----------|------------|------|
| CHK       | CHANGE NO. | REV. |
|           |            |      |

TITLE **PRINTER LOGIC AND POWER BOARD (PLB3)** SIZE CODE **D CS** NUMBER **M7081-0-1** REV. **S**  
 SCALE **1/1** SHEET **3 OF 6** DIST. **1**



"THIS DRAWING AND SPECIFICATIONS, HEREIN, ARE THE PROPERTY OF DIGITAL EQUIPMENT CORPORATION AND SHALL NOT BE REPRODUCED OR COPIED OR USED IN WHOLE OR IN PART AS THE BASIS FOR THE MANUFACTURE OR SALE OF ITEMS WITHOUT WRITTEN PERMISSION. COPYRIGHT © 1978 DIGITAL EQUIPMENT CORPORATION"

1-0-18072MSD 2

C1 THRU C9  
C12 THRU C24  
C26 THRU C30  
C32, C34, C35  
C37, C41, C44  
0.1UF

C47, C48,  
C49, C50  
25UF  
25V

NOTE:  
4-1. SENSE LINES ROUTED DIRECTLY TO TERMINALS OF R140 (NO SHARED POWER RETURN CURRENT.)

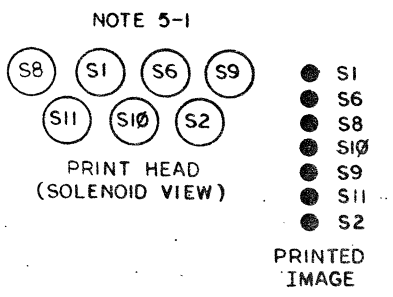
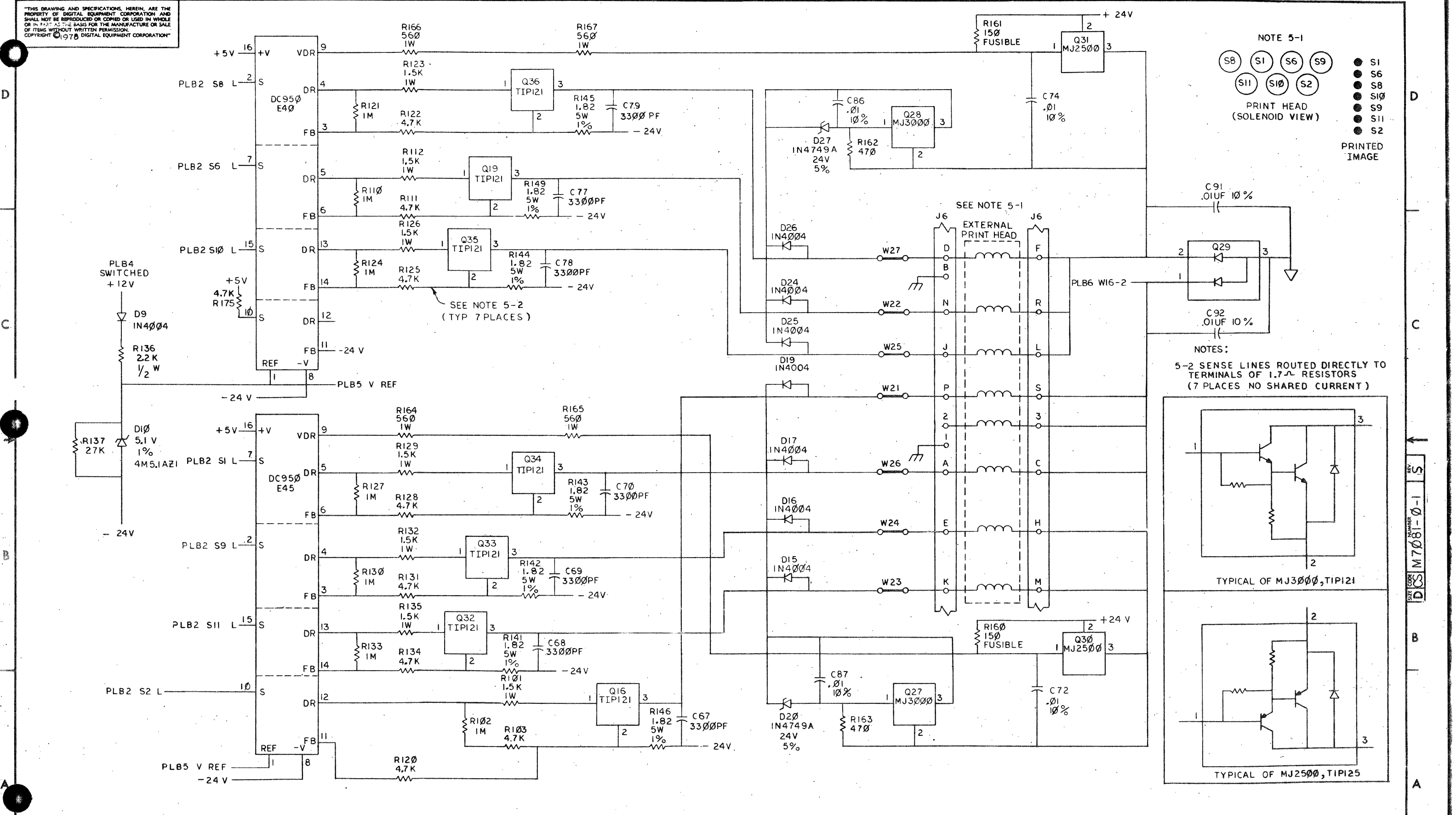
SEE NOTE 4-1

CARRIAGE, LF, BELL AMPS, PWR ENTRY

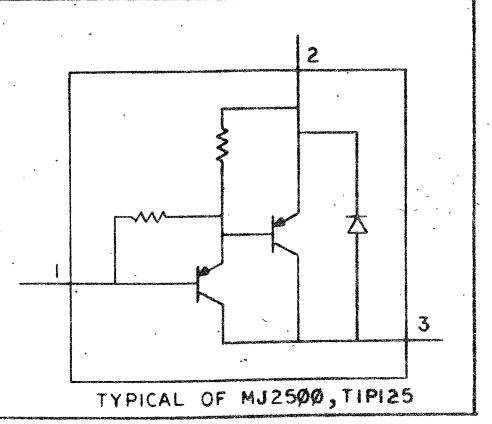
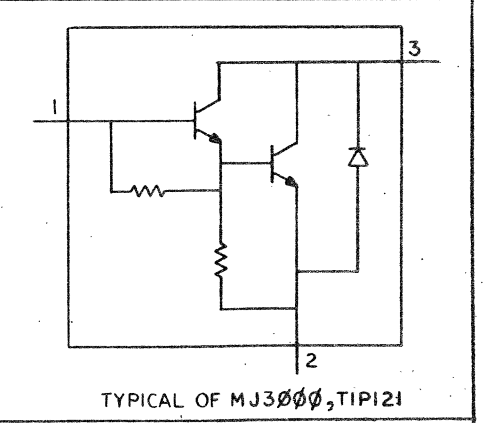
| CHK | CHANGE NO. | REV. |
|-----|------------|------|
|     |            |      |

|       |                                      |           |   |        |             |       |   |
|-------|--------------------------------------|-----------|---|--------|-------------|-------|---|
| TITLE | PRINTER LOGIC AND POWER BOARD (PLB4) | SIZE CODE | D | NUMBER | CSM7081-0-1 | REV.  | S |
| SCALE | 1:1                                  | SHEET     | 4 | OF     | 6           | DIST. |   |

"THIS DRAWING AND SPECIFICATIONS HEREIN ARE THE PROPERTY OF DIGITAL EQUIPMENT CORPORATION AND SHALL NOT BE REPRODUCED OR COPIED OR USED IN WHOLE OR IN PART AS THE BASIS FOR THE MANUFACTURE OR SALE OF ITEMS WITHOUT WRITTEN PERMISSION. COPYRIGHT © 1978 DIGITAL EQUIPMENT CORPORATION"

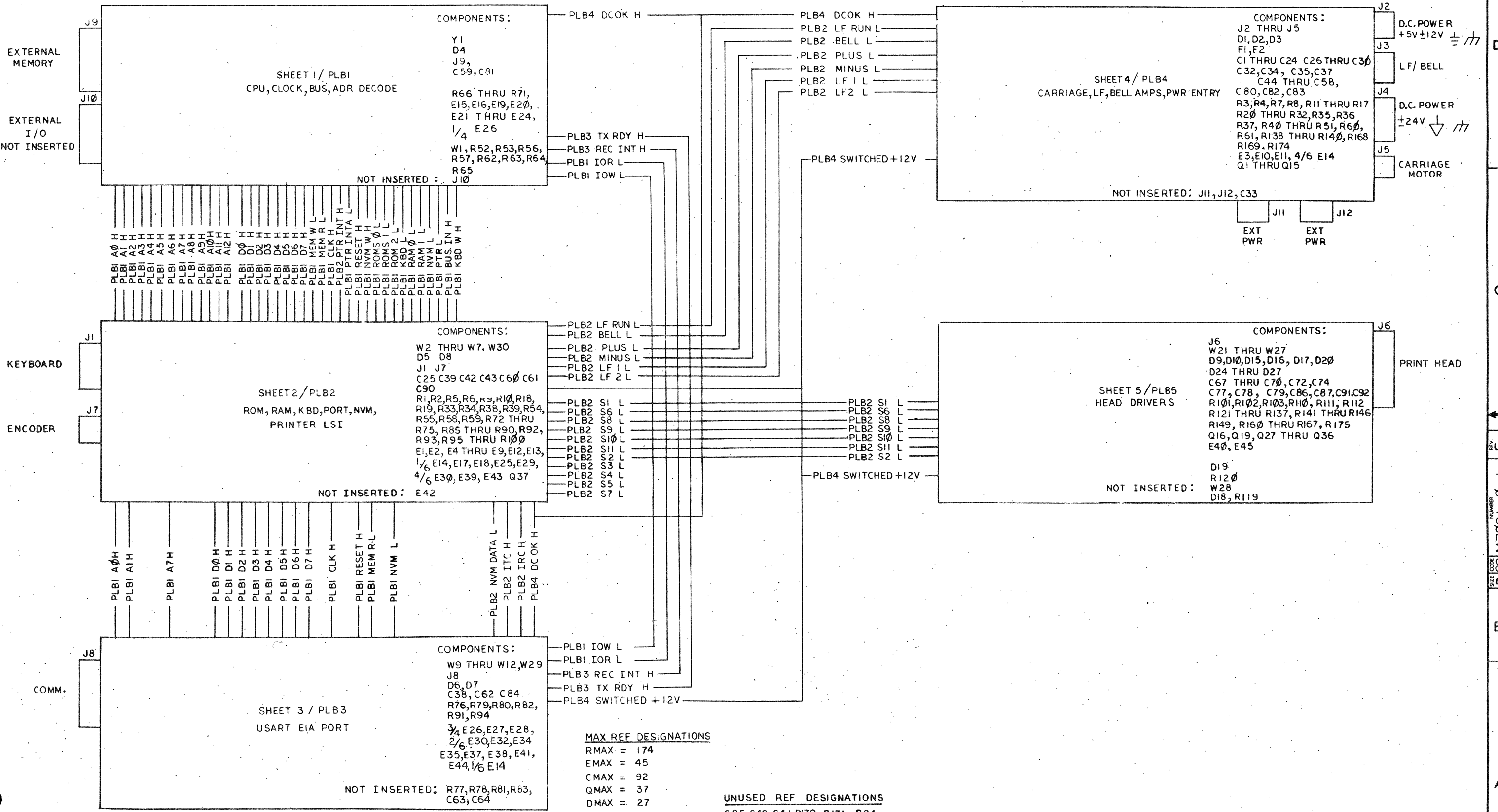


NOTES:  
5-2 SENSE LINES ROUTED DIRECTLY TO TERMINALS OF 1.7Ω RESISTORS (7 PLACES NO SHARED CURRENT)



| REVISIONS |            |      |
|-----------|------------|------|
| CHK       | CHANGE NO. | REV. |
|           |            |      |

"THIS DRAWING AND SPECIFICATIONS, HEREIN, ARE THE PROPERTY OF DIGITAL EQUIPMENT CORPORATION AND SHALL NOT BE REPRODUCED OR COPIED OR USED IN WHOLE OR IN PART AS THE BASIS FOR THE MANUFACTURE OR SALE OF ITEMS WITHOUT WRITTEN PERMISSION. COPYRIGHT © 1978 DIGITAL EQUIPMENT CORPORATION"

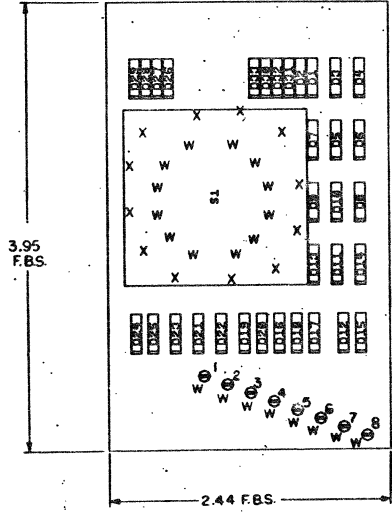
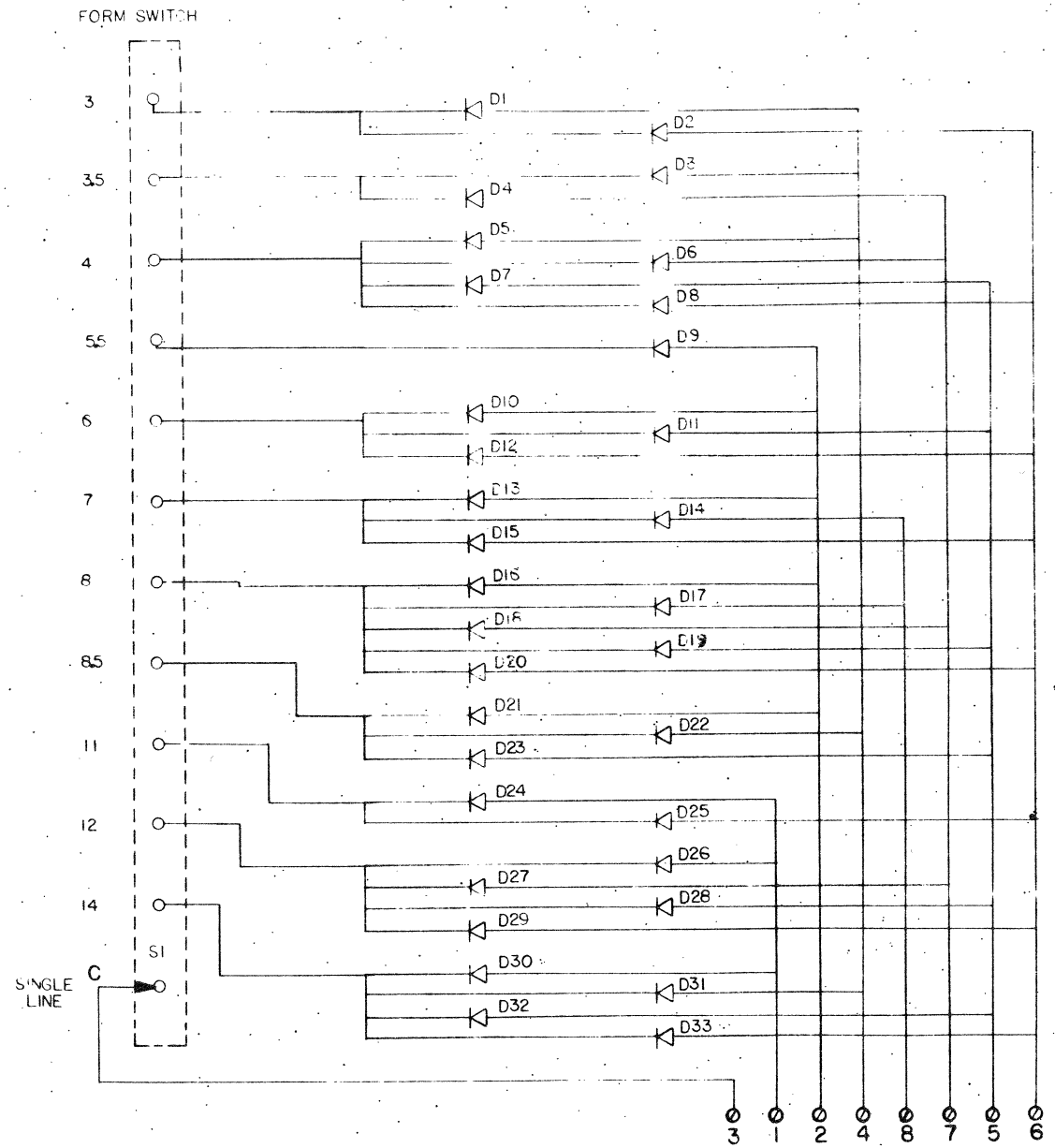


| REVISIONS |            |      |
|-----------|------------|------|
| CHK       | CHANGE NO. | REV. |
|           |            |      |



"THIS DRAWING AND SPECIFICATIONS, HEREIN, ARE THE PROPERTY OF DIGITAL EQUIPMENT CORPORATION AND SHALL NOT BE REPRODUCED OR COPIED OR USED IN WHOLE OR IN PART AS THE BASIS FOR THE MANUFACTURE OR SALE OF ITEMS WITHOUT WRITTEN PERMISSION. COPYRIGHT © 1975 DIGITAL EQUIPMENT CORPORATION"

NOTES:



|  |     |     |
|--|-----|-----|
| IC TYPE  | GND | +5V |
| GND AND 5V ARE USUALLY PIN 7 AND 14 RESPECTIVELY EXCEPTIONS ARE STATED ABOVE |     |     |
| IC PIN LOCATIONS   |     |     |

| QTY | REF. DESIGNATION | DESCRIPTION                       | PART NO.         | ITEM NO. |
|-----|------------------|-----------------------------------|------------------|----------|
| 8   |                  | SPLIT LUG                         | 9006735-00       | 7        |
| 33  | DI-D33           | DIODE D664                        | 1100114-00       | 6        |
| 1   | SI               | SWITCH, SINGLE POLE - 12 POSITION | 1212443-00       | 5        |
| 1   |                  | ETCHED CIRCUIT BOARD              | C-MD-5011652-0-0 | 4        |
| REF |                  | MODULE ECO HISTORY                | B-MH-5411653-0-6 | 3        |
| REF |                  | ASSY/DRILLING HOLE LAYOUT         | D-AH-5411653-0-5 | 2        |
| REF |                  | X-Y COORDINATE HOLE LOCATION      | K-CO-5411653-0-4 | 1        |

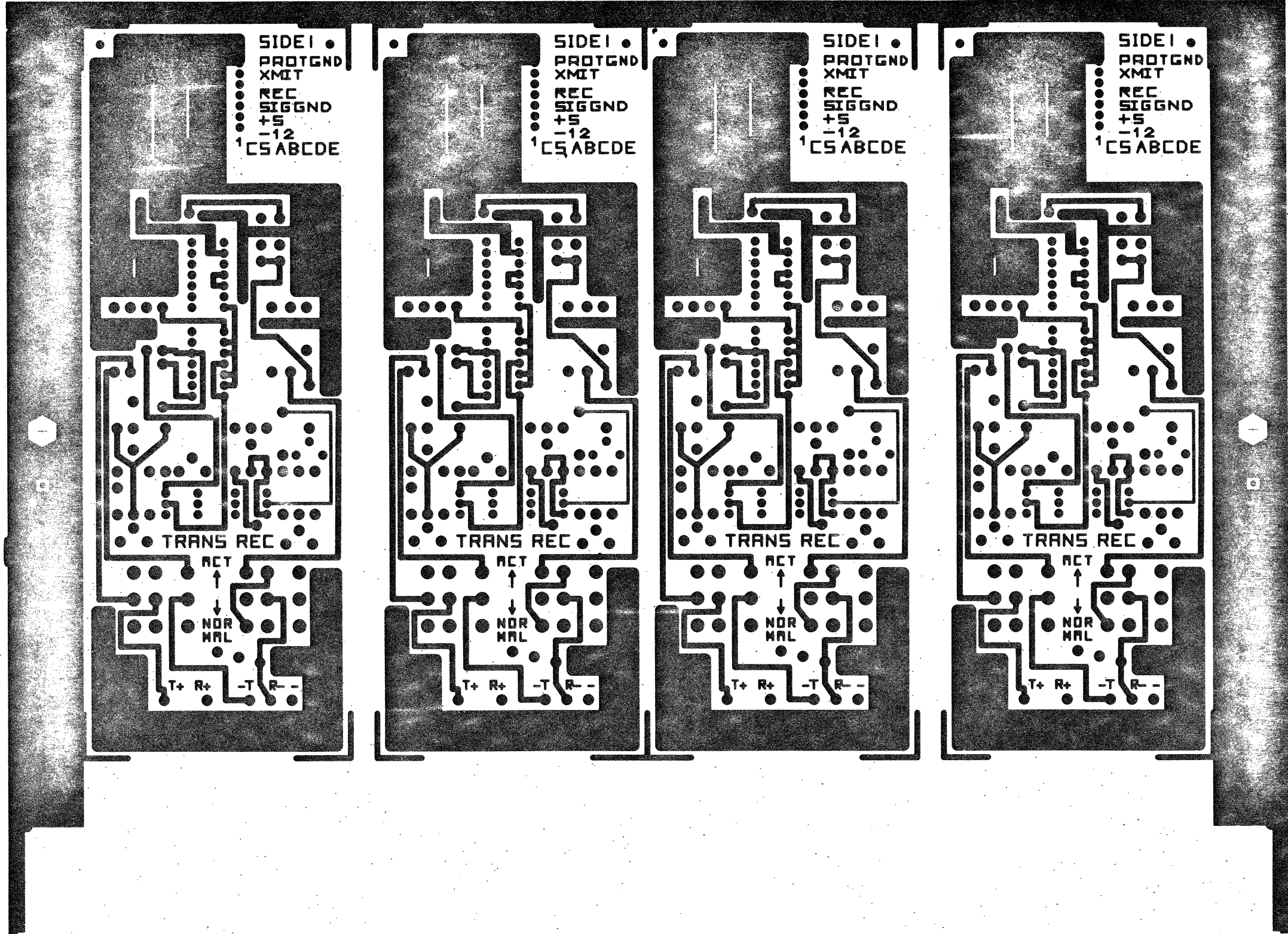
|                                     |             |      |  |  |  |  |  |           |        |      |        |             |      |      |            |      |       |      |
|-------------------------------------|-------------|------|--|--|--|--|--|-----------|--------|------|--------|-------------|------|------|------------|------|-------|------|
| FIRST USED ON OPTION MODEL<br>LA180 |             |      |  | PARTS LIST   |  |  |  |           |        |      |        |             |      |      |            |      |       |      |
| ETCH BOARD REV. A                   |             |      |  | <table border="1"> <tr> <td>DRN.</td> <td>DATE</td> <td rowspan="5"> </td> </tr> <tr> <td>CHK'D.</td> <td>DATE</td> </tr> <tr> <td>APP.</td> <td>DATE</td> </tr> <tr> <td>PROJ. ENG.</td> <td>DATE</td> </tr> <tr> <td>PROP.</td> <td>DATE</td> </tr> </table> |  |  |  | DRN.      | DATE   |      | CHK'D. | DATE        | APP. | DATE | PROJ. ENG. | DATE | PROP. | DATE |
| DRN.                                | DATE        |      |  |  |  |  |  |           |        |      |        |             |      |      |            |      |       |      |
| CHK'D.                              | DATE        |      |  |  |  |  |  |           |        |      |        |             |      |      |            |      |       |      |
| APP.                                | DATE        |      |  |  |  |  |  |           |        |      |        |             |      |      |            |      |       |      |
| PROJ. ENG.                          | DATE        |      |  |  |  |  |  |           |        |      |        |             |      |      |            |      |       |      |
| PROP.                               | DATE        |      |  |  |  |  |  |           |        |      |        |             |      |      |            |      |       |      |
| TITLE<br>6 LPI FORM CONTROL         |             |      |  | <table border="1"> <tr> <td>SIZE CODE</td> <td>NUMBER</td> <td>REV.</td> </tr> <tr> <td>D CS</td> <td>5411653-0-1</td> <td>*</td> </tr> </table>   |  |  |  | SIZE CODE | NUMBER | REV. | D CS   | 5411653-0-1 | *    |      |            |      |       |      |
| SIZE CODE                           | NUMBER      | REV. |  |  |  |  |  |           |        |      |        |             |      |      |            |      |       |      |
| D CS                                | 5411653-0-1 | *    |  |  |  |  |  |           |        |      |        |             |      |      |            |      |       |      |
| SEMICONDUCTOR CONVERSION CHART      |             |      |  | SCALE NONE   |  |  |  |           |        |      |        |             |      |      |            |      |       |      |
| SHEET OF                            |             |      |  | DIST.  |  |  |  |           |        |      |        |             |      |      |            |      |       |      |



THIS DRAWING AND SPECIFICATIONS ARE THE PROPERTY OF DIGITAL EQUIPMENT CORPORATION AND SHALL NOT BE REPRODUCED OR COPIED OR USED IN WHOLE OR IN PART AS THE BASIS FOR THE MANUFACTURE OF ITEMS WITHOUT WRITTEN PERMISSION. COPYRIGHT © 1977 DIGITAL EQUIPMENT CORPORATION.

8 0-0-9022175 DUA 5413206-0-0 2

7  5013205C 5413206      6  5013205C 5413206      5  5013205C 5413206      4  5013205C 5413206      3  5013205C 5413206



VIEWED FROM SIDE 1

| REVISIONS |           |     |
|-----------|-----------|-----|
| CHK       | CHANGE NO | RE. |
|           |           |     |

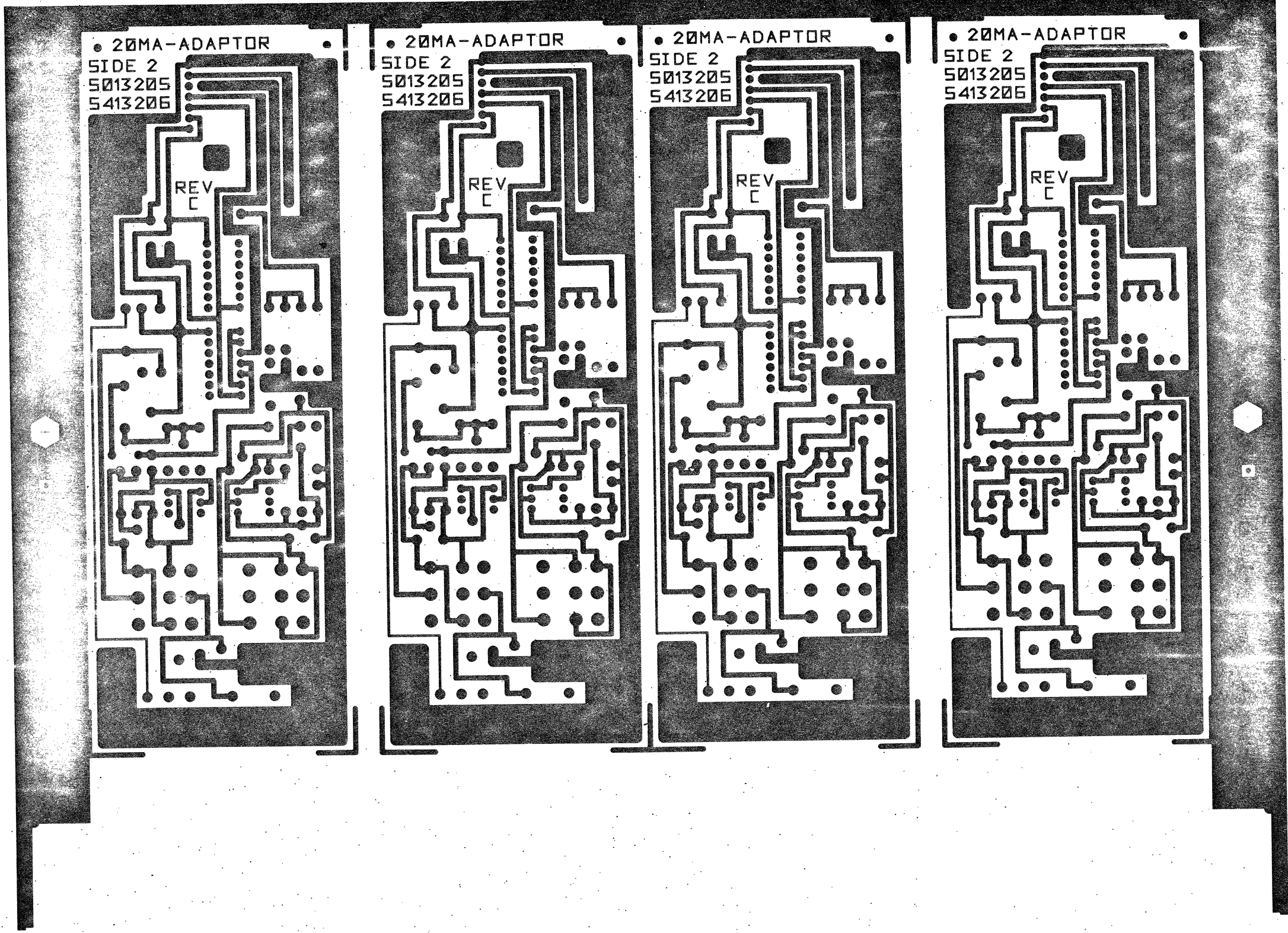
|       |              |           |        |        |               |      |   |
|-------|--------------|-----------|--------|--------|---------------|------|---|
| TITLE | 20MA ADAPTOR | SIZE CODE | D UA   | NUMBER | 5413206-0-0 B | REV. | B |
| SCALE | 2:1          | SHEET     | 2 OF 3 | DIST   |               |      |   |

8 7 6 5 4 3 2 1

DUA 5413206-0-0 B

THIS DRAWING AND REPLICATED THEREFROM ARE THE PROPERTY OF DIGITAL EQUIPMENT CORPORATION AND SHALL NOT BE REPRODUCED OR COPIED OR USED IN WHOLE OR IN PART AS THE BASIS FOR THE MANUFACTURE OF ITEMS WITHOUT WRITTEN PERMISSION. DIGITAL EQUIPMENT CORPORATION. COPYRIGHT © 1978

DIA 5413206-0-0 B 2



VIEWED FROM SIDE 2

| REVISIONS |           |     |
|-----------|-----------|-----|
| CHK       | CHANGE NO | REV |
|           |           |     |
|           |           |     |
|           |           |     |
|           |           |     |
|           |           |     |
|           |           |     |
|           |           |     |
|           |           |     |
|           |           |     |

|       |               |           |      |        |             |      |   |
|-------|---------------|-----------|------|--------|-------------|------|---|
| TITLE | 20 MA ADAPTOR | SIZE CODE | D UA | NUMBER | 5413206-0-0 | REV  | B |
| SCALE | 2:1           | SHEET     | 3    | OF     | 3           | DIST |   |

DIA 5413206-0-0 B

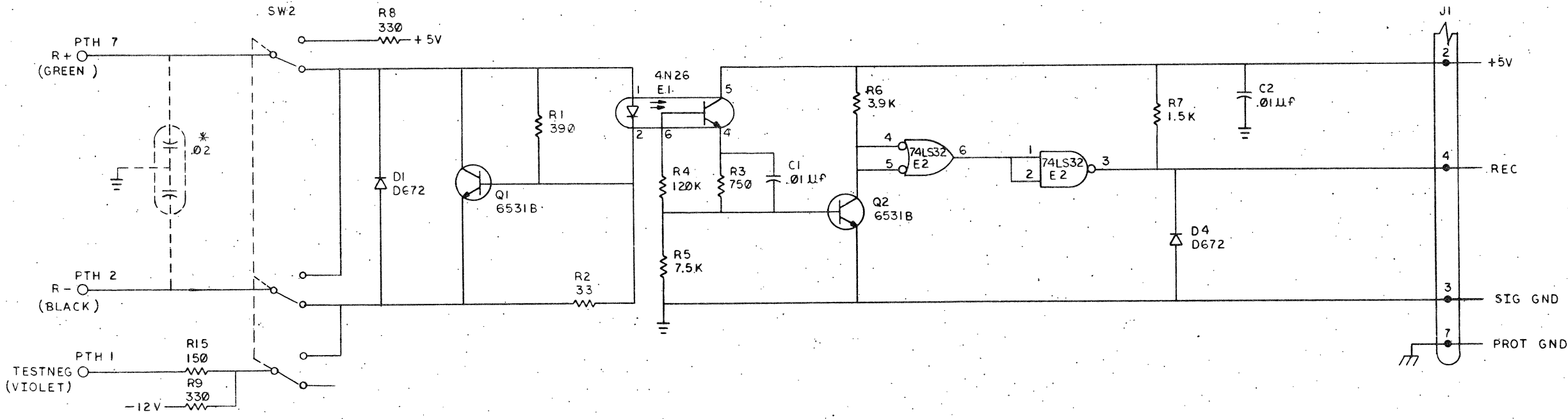
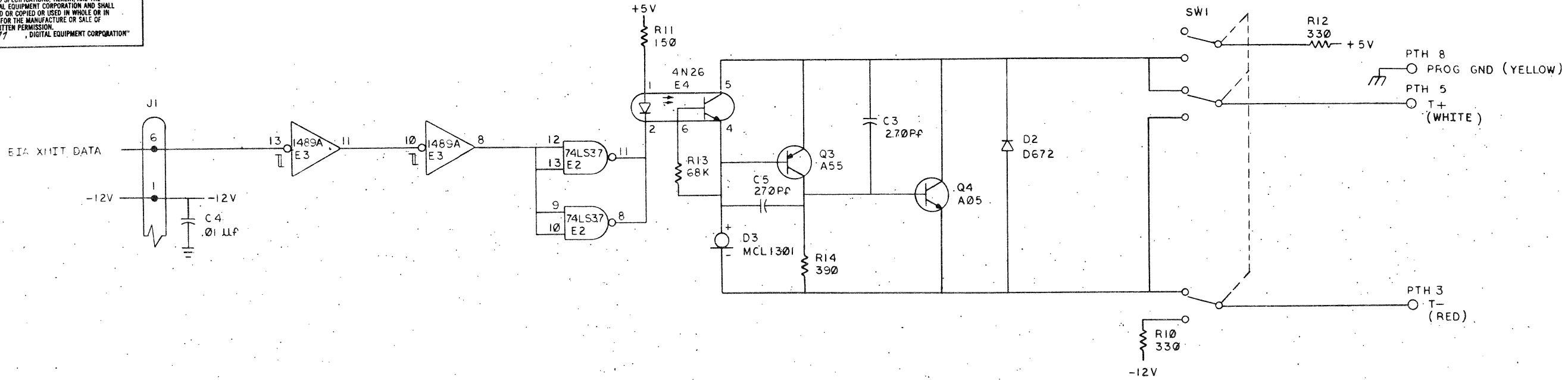
| LINE | ITEM | DOCUMENT NUMBER  | PART NUMBER | DESCRIPTION                   | QTY | PER VARIATION | REFERENCE DESIGNATOR |
|------|------|------------------|-------------|-------------------------------|-----|---------------|----------------------|
| 1    | 1    | D-MD-5013205-0-0 | 5013205-00  | ETCH BOARD FOR 5413206        | 1   |               |                      |
| 2    | 2    |                  | 1000022-00  | 270.0 MFD 100V 5%200PPM MICA  | 2   |               | C3,C5                |
| 3    | 3    |                  | 1001610-00  | .01 MFD 50V +80-20% 250 CER   | 3   |               | C1,C2,C4             |
| 4    | 4    |                  | 1105275-00  | D 672 TR= 15NS PIV= 60V SI    | 3   |               | D1,D2,D4             |
| 5    | 5    |                  | 1105610-00  | MCL1301 CL@1MA FROM10-80V     | 1   |               | D3                   |
| 6    | 6    |                  | 1215048-01  | CONN 7POS RT ANGLE            | 1   |               | J1                   |
| 7    | 7    |                  | 1215089-00  | SW,SLIDE 3P 1A DBLE THROW     | 2   |               | S1,S2                |
| 8    | 8    |                  | 1301522-00  | 27.0 .25 W 5.0 % CC           | 1   |               | R2                   |
| 9    | 9    |                  | 1300250-00  | 150.0 .25 W 5.0 % CC          | 2   |               | R11,R15              |
| 10   | 10   |                  | 1300296-00  | 330.0 .50 W 5.0 % CC          | 4   |               | R8,R9,R10,R12        |
| 11   | 11   |                  | 1300309-00  | 390.0 .25 W 5.0 % CC          | 2   |               | R1,R14               |
| 12   | 12   |                  | 1300391-00  | 1.50 K .25 W 5.0 % CC         | 1   |               | R7                   |
| 13   | 13   |                  | 1300444-00  | 3.90 K .25 W 5.0 % CC         | 1   |               | R6                   |
| 14   | 14   |                  | 1300539-00  | 120.0 K .25 W 5.0 % CC        | 1   |               | R4                   |
| 15   | 15   |                  | 1301327-00  | 68.0 K .25 W 5.0 % CC         | 1   |               | R13                  |
| 16   | 16   |                  | 1301401-00  | 750.0 .25 W 5.0 % CC          | 1   |               | R3                   |
| 17   | 17   |                  | 1301422-00  | 7.50 K .25 W 5.0 % CC         | 1   |               | R5                   |
| 18   | 18   |                  | 1509338-00  | DEC6531B NPN 310MA SI 40 90 P | 2   |               | Q1,Q2                |
| 19   | 19   |                  | 1510705-00  | XA 05 NPN 500MW SI 60 50 P    | 1   |               | Q4                   |
| 20   | 20   |                  | 1510706-00  | XA 55 PNP 500MW SI 60 50 P    | 1   |               | Q3                   |
| 21   | 21   |                  | 1916959-00  | PDTOTRANSISTOR                | 2   |               | E1,E4                |
| 22   | 22   |                  | 1912817-00  | LS37 NAND GATE=QUAD 2IN,P     | 1   |               | E2                   |
| 23   | 23   |                  | 1913130-00  | DEC 14H9A RECEIVER,LINE,QUAD, | 1   |               | E3                   |
| 24   | 24   |                  | 1113003-00  | IN 5282 PIV=55 I=500M D035    | 1   |               | D5                   |

| REVISION HISTORY |               | BASIC PART NO: 5413206 |                         | DRN:              | T. SHETRAWSKI  | DATE:                | 30-MAR-78 | DIGITAL          |      |               |     |
|------------------|---------------|------------------------|-------------------------|-------------------|----------------|----------------------|-----------|------------------|------|---------------|-----|
| ENG              | ECO NUMBER    | REV                    | SECTION A OF A          | CHK'D:            | T. SHETRAWSKI  | DATE:                | 30-MAR-78 | TITLE PARTS LIST |      |               |     |
| ---              | INIT          | B                      | SECTION VARIATION INDEX | DES.ENG:          | M. MORGENSTERN | DATE:                | 30-MAR-78 | DOCUMENT NUMBER  |      |               |     |
| JB               | 5413206-PN001 | C                      | [A] 00                  | RESP.ENG.:        | M. MORGENSTERN | DATE:                | 30-MAR-78 | SIZE             | CODE | NUMBER        | REV |
|                  |               |                        | [B]                     | MFG.ENG.:         | T. CORCIARI    | DATE:                | 30-MAR-78 | K                | PL   | 5413206-0-DBP | C   |
|                  |               |                        | [C]                     | ASSEMBLY NUMBER:  |                | TOP DOCUMENT NUMBER: |           | FILE NAME:       |      | EDIT #        |     |
|                  |               |                        | [D]                     | ID-UA-5413206-0-0 |                | IV100                |           | 13206C.PLS       |      | 6             |     |
|                  |               |                        | [E]                     |                   |                |                      |           |                  |      |               |     |
|                  |               |                        | [F]                     |                   |                |                      |           |                  |      |               |     |
|                  |               |                        | [G]                     |                   |                |                      |           |                  |      |               |     |
|                  |               |                        | [H]                     |                   |                |                      |           |                  |      |               |     |
|                  |               |                        | [I]                     |                   |                |                      |           |                  |      |               |     |
|                  |               |                        | [J]                     |                   |                |                      |           |                  |      |               |     |
|                  |               |                        | [K]                     |                   |                |                      |           |                  |      |               |     |
|                  |               |                        | [L]                     |                   |                |                      |           |                  |      |               |     |
|                  |               |                        | [M]                     |                   |                |                      |           |                  |      |               |     |
|                  |               |                        | [N]                     |                   |                |                      |           |                  |      |               |     |

"THIS DRAWING AND SPECIFICATIONS HEREIN, ARE THE PROPERTY OF DIGITAL EQUIPMENT CORPORATION AND SHALL NOT BE REPRODUCED OR COPIED OR USED IN WHOLE OR IN PART AS THE BASIS FOR THE MANUFACTURE OR SALE OF ITEMS WITHOUT WRITTEN PERMISSION, COPYRIGHT (C) 1980, DIGITAL EQUIPMENT CORPORATION"

"THIS DRAWING AND SPECIFICATIONS, HEREIN, ARE THE PROPERTY OF DIGITAL EQUIPMENT CORPORATION AND SHALL NOT BE REPRODUCED OR COPIED OR USED IN WHOLE OR IN PART AS THE BASIS FOR THE MANUFACTURE OR SALE OF ITEMS WITHOUT WRITTEN PERMISSION. DIGITAL EQUIPMENT CORPORATION. COPYRIGHT © 1977"

CS 5413206-0-1 2



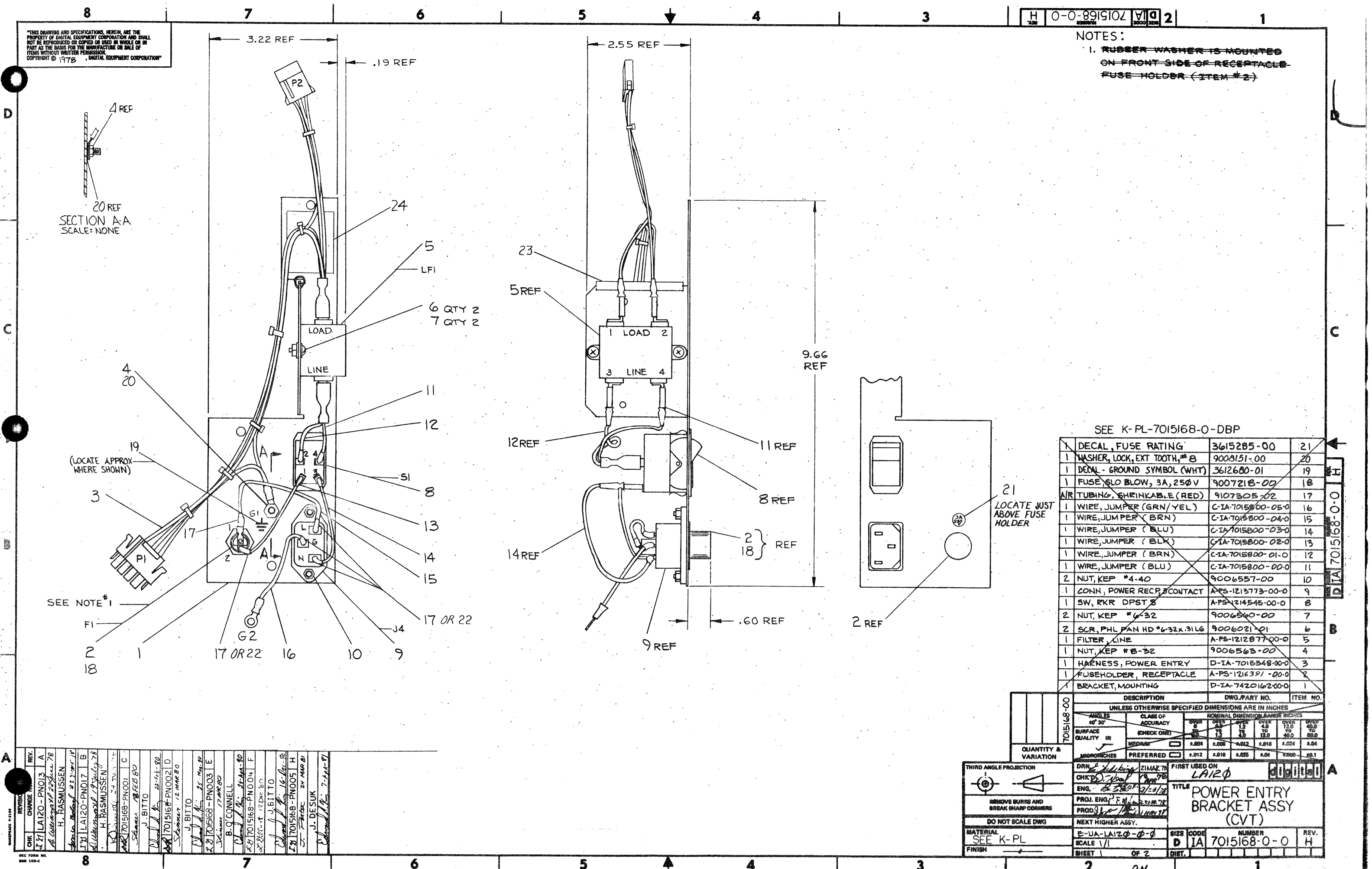
NOTE:  
1. \* OPTIONAL

|                   |                |               |               |             |
|-------------------|----------------|---------------|---------------|-------------|
| DRN               | CS 5413206-0-1 | FIRST USED ON | VT100         | Digital     |
| CHK               |                | TITLE         | 20 MA ADAPTOR |             |
| ENG               |                | PROJ. ENG.    |               |             |
| PROD.             |                | PROD. ENG.    |               |             |
| NEXT HIGHER ASSY. |                | SIZE          | CODE          | NUMBER      |
| D-UA-5413206-0-0  |                | D             | CS            | 5413206-0-1 |
| SCALE             |                | DIST.         |               |             |
| SHEET             | OF             |               |               |             |
|                   |                |               |               | REV. B      |

|            |  |
|------------|--|
| REV.       |  |
| CHANGE NO. |  |
| CHK        |  |

"THIS DRAWING AND SPECIFICATIONS, HEREIN, ARE THE PROPERTY OF DIGITAL EQUIPMENT CORPORATION AND SHALL NOT BE REPRODUCED OR COPIED OR USED IN WHOLE OR IN PART AS THE BASIS FOR THE MANUFACTURE OR SALE OF ITEMS WITHOUT WRITTEN PERMISSION. COPYRIGHT © 1978, DIGITAL EQUIPMENT CORPORATION"

NOTES:  
 1. RUBBER WASHER IS MOUNTED ON FRONT SIDE OF RECEPTACLE FUSE HOLDER (ITEM #2)



SEE K-PL-7015168-0-DBP

| DESCRIPTION                   | DWG./PART NO.     | ITEM NO. |
|-------------------------------|-------------------|----------|
| DECAL, FUSE RATING            | 3615285-00        | 21       |
| 1 WASHER, LOCK, EXT TOOTH, #8 | 9008151-00        | 20       |
| 1 DECAL - GROUND SYMBOL (WHT) | 3612680-01        | 19       |
| 1 FUSE, SLO BLOW, 3A, 250V    | 9007218-00        | 18       |
| A/R TUBING, SHRINKABLE (RED)  | 9107305-02        | 17       |
| 1 WIRE, JUMPER (GRN/YEL)      | C-IA-7015800-05-0 | 16       |
| 1 WIRE, JUMPER (BRN)          | C-IA-7015800-04-0 | 15       |
| 1 WIRE, JUMPER (BLU)          | C-IA-7015800-03-0 | 14       |
| 1 WIRE, JUMPER (BLK)          | C-IA-7015800-02-0 | 13       |
| 1 WIRE, JUMPER (BRN)          | C-IA-7015800-01-0 | 12       |
| 1 WIRE, JUMPER (BLU)          | C-IA-7015800-00-0 | 11       |
| 2 NUT, KEP #4-40              | 9006557-00        | 10       |
| 1 CONN, POWER RECP, CONTACT   | APS-1213773-00-0  | 9        |
| 1 SW, RKR DPST                | A-PS-1214545-00-0 | 8        |
| 2 NUT, KEP #6-32              | 9006560-00        | 7        |
| 2 SCR, PHL PAN HD #6-32x.31L6 | 9006021-01        | 6        |
| 1 FILTER, LINE                | A-PS-1212877-00-0 | 5        |
| 1 NUT, KEP #8-32              | 9006563-00        | 4        |
| 1 HARNESS, POWER ENTRY        | D-IA-7015348-00-0 | 3        |
| 1 FUSEHOLDER, RECEPTACLE      | A-PS-1216391-00-0 | 2        |
| 1 BRACKET, MOUNTING           | D-IA-7420162-00-0 | 1        |

| UNLESS OTHERWISE SPECIFIED DIMENSIONS ARE IN INCHES |  |
|---|--|
| CLASS OF ACCURACY (CHECK ONE)                       | NOMINAL DIMENSION RANGE INCHES               |
| ANGLES 30°  | OVER 6 TO 12.5                               |
| SURFACE QUALITY                                     | OVER 12.5 TO 48.0                            |
| IN  | OVER 48.0 TO 96.0                            |
| MICROFINISH   | 2.004 2.005 2.012 2.016 2.025 2.04 2.06 2.08 |
| QUANTITY & VARIATION                                | PREFERRED                                    |

THIRD ANGLE PROJECTION

REMOVE BURRS AND BREAK SHARP CORNERS

DO NOT SCALE DWG

MATERIAL: SEE K-PL

FINISH: —

DRN: J. BITTO

CHKD: J. BITTO

ENG: J. BITTO

PROJ. ENG: P. M. ...

PROD: J. BITTO

FIRST USED ON: LA120

TITLE: POWER ENTRY BRACKET ASSY (CVT)

SIZE: D

CODE: IA

NUMBER: 7015168-0-0

REV: H

SHEET 1 OF 2

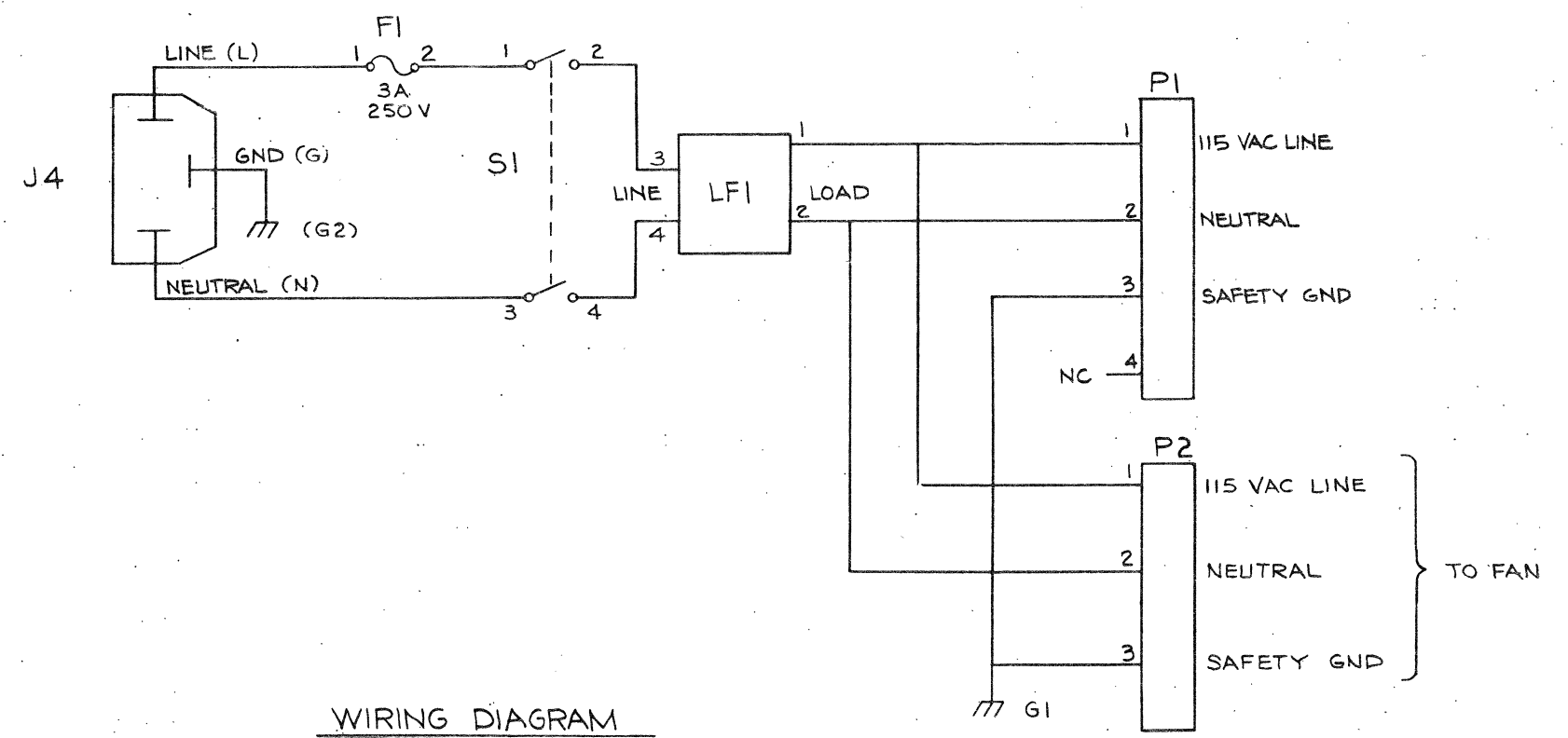
DATE: 24 MAR 81

| REV. | CHANGE        | DATE      | BY           | CHKD         |
|------|---------------|-----------|--------------|--------------|
| 1    | LA120-PN013 A | 17 MAR 80 | H. RASMUSSEN | H. RASMUSSEN |
| 2    | LA120-PN017 B | 22 FEB 80 | J. BITTO     | J. BITTO     |
| 3    | LA120-PN001 C | 12 MAR 80 | J. BITTO     | J. BITTO     |
| 4    | LA120-PN002 D | 12 MAR 80 | J. BITTO     | J. BITTO     |
| 5    | LA120-PN003 E | 17 MAR 80 | B. O'CONNELL | B. O'CONNELL |
| 6    | LA120-PN004 F | 12 DEC 80 | J. BITTO     | J. BITTO     |
| 7    | LA120-PN005 H | 24 MAR 81 | J. DESUK     | J. DESUK     |

"THIS DRAWING AND SPECIFICATIONS, HEREIN, ARE THE PROPERTY OF DIGITAL EQUIPMENT CORPORATION AND SHALL NOT BE REPRODUCED OR COPIED OR USED IN WHOLE OR IN PART AS THE BASIS FOR THE MANUFACTURE OR SALE OF ITEMS WITHOUT WRITTEN PERMISSION. COPYRIGHT © 1978 DIGITAL EQUIPMENT CORPORATION"

WIRE TABLE

| ITEM NO | DESCRIPTION |         | FROM  |       |          | TO    |           |           | REMARKS |
|---------|-------------|---------|-------|-------|----------|-------|-----------|-----------|---------|
|         | AWG         | COLOR   | POINT | CONN  | WITH     | POINT | CONN      | WITH      |         |
| 3       | 18          | GRN/YEL | 1     | -     | -        | -     | ITEM 1-G1 | ITEM 1-G1 |         |
|         |             | BLU     | 8     | -     | -        | -     | LFI-2     | -         |         |
|         |             | BRN     | 9     | -     | -        | -     | LFI-1     | -         |         |
| 11      |             | BLU     | -     | LFI-4 | -        | -     | SI-4      | -         |         |
| 12      |             | BRN     | -     | LFI-3 | -        | -     | SI-2      | -         |         |
| 13      |             | BLK     | -     | SI-1  | -        | -     | F1-2      | SOL & 17  |         |
| 14      |             | BLU     | -     | SI-3  | -        | -     | J4-N      | SOL & 17  |         |
| 15      | 18          | BRN     | -     | J4-L  | SOL & 17 | -     | F1-1      | SOL & 17  |         |
| 16      | 14          | GRN/YEL | -     | J4-G  | SOL & 17 | -     | -         | -         |         |

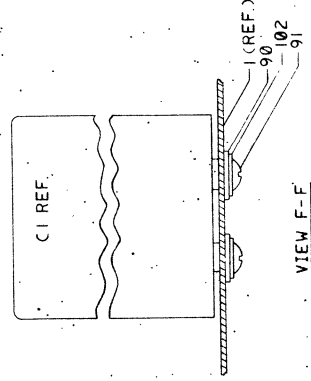
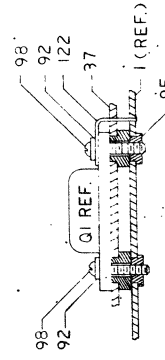
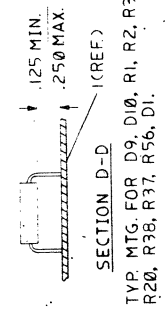
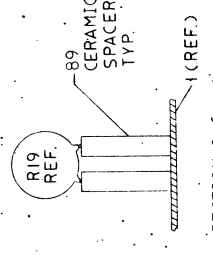
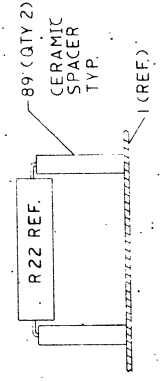
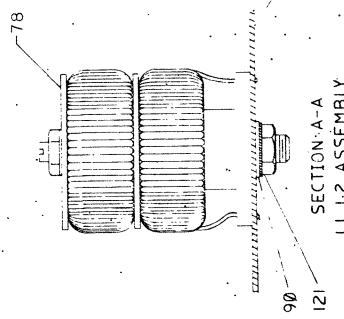
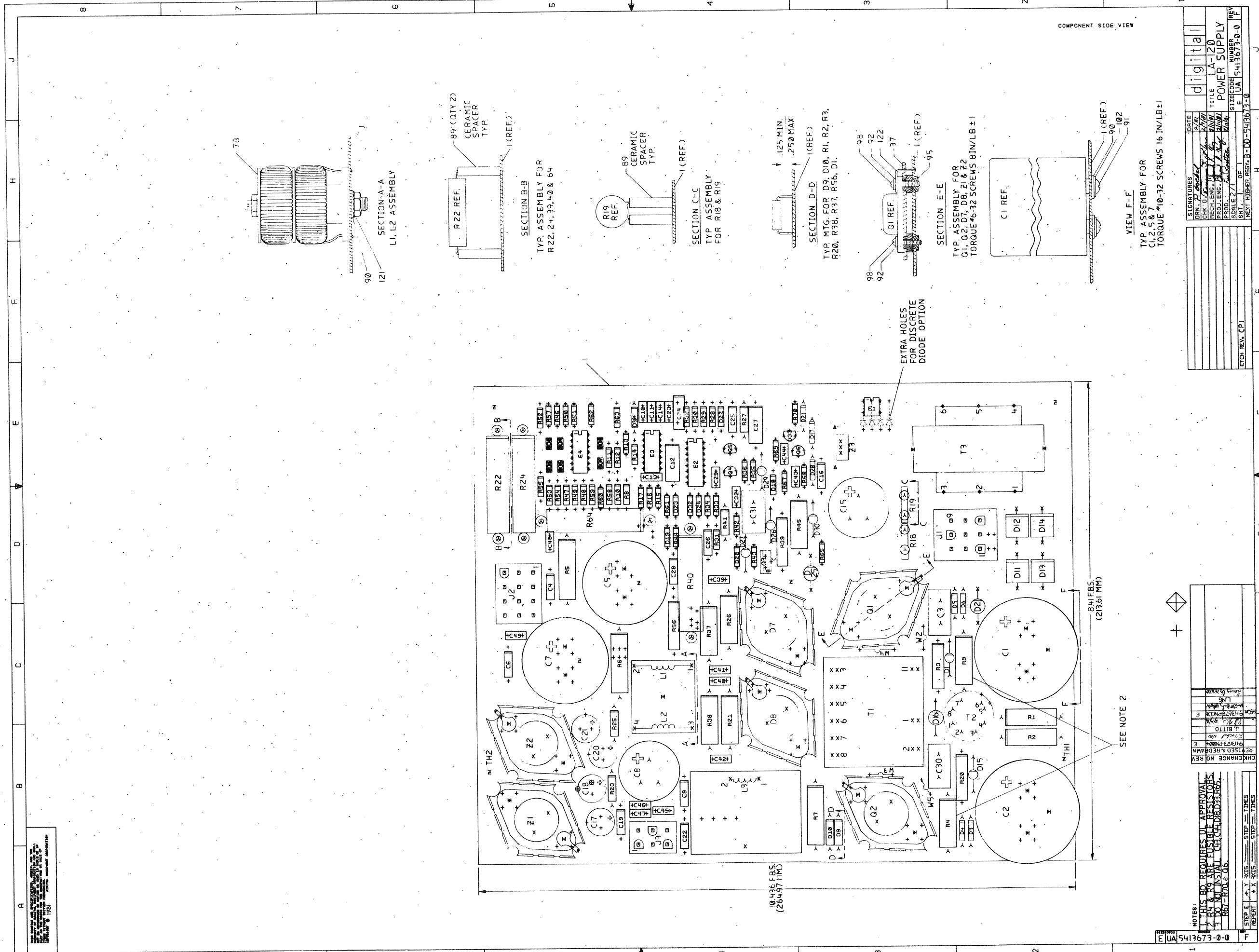


WIRING DIAGRAM

| REVISIONS |            |      |
|-----------|------------|------|
| CHK       | CHANGE NO. | REV. |
|           |            |      |



ALL DIMENSIONS ARE IN MILLIMETERS UNLESS OTHERWISE SPECIFIED.  
 © 1981



EXTRA HOLES  
FOR DISCRETE  
DIODE OPTION

10.436 LBS  
(26497 IN)

8.41 LBS  
(213.61 MM)

SEE NOTE 2

EUA 5413673-0-0

NOTES:

- THIS BOARD REQUIRES UL APPROVAL
- R4 & R6 ARE FUSIBLE RESISTORS
- DO NOT INSTALL CHEM-DIELECTRIC
- R6 - RAIL @ 0.6

| STEP   | E | Y | X | 3 | 2 | 1 | T |
|--------|---|---|---|---|---|---|---|
| REPORT |   |   |   |   |   |   |   |
|        |   |   |   |   |   |   |   |
|        |   |   |   |   |   |   |   |
|        |   |   |   |   |   |   |   |

| CHK | CHANGE | NO | REV | DATE | BY | APP |
|-----|--------|----|-----|------|----|-----|
|     |        |    |     |      |    |     |
|     |        |    |     |      |    |     |
|     |        |    |     |      |    |     |
|     |        |    |     |      |    |     |

| DATE       | 2/81           | 2/81 | 2/81 | 2/81 | 2/81 | 2/81 |
|------------|----------------|------|------|------|------|------|
| SIGNATURES |                |      |      |      |      |      |
| DRN.       | P. [Signature] |      |      |      |      |      |
| CHK. D.    | [Signature]    |      |      |      |      |      |
| MECH. ENG. | [Signature]    |      |      |      |      |      |
| PROJ. ENG. | [Signature]    |      |      |      |      |      |
| SCALE      | 2/1            |      |      |      |      |      |
| STY.       | 1              |      |      |      |      |      |
| REV.       |                |      |      |      |      |      |
| ETCH REV.  | CPI            |      |      |      |      |      |

digital  
 TITLE LA-120  
 POWER SUPPLY  
 NUMBER  
 STEREO NUMBER  
 EUA 5413673-0-0  
 REV

| LINE ITEM | DOCUMENT NUMBER | PART NUMBER      | DESCRIPTION                   | QTY PER VARIATION<br>00 | REFERENCE DESIGNATOR     |
|-----------|-----------------|------------------|-------------------------------|-------------------------|--------------------------|
| 1         | 1               | E-MD-5013672-0-0 | 5013672-00 DRILL & ETCH BD    | 1                       |                          |
| 2         | 2               | 1016117-00       | 1600 MFD 200V +50-10% AL EL   | 2                       | C1,C2                    |
| 3         | 3               | 1014139-00       | .0022 MFD 600V 10% POLYPROP   | 2                       | C3,C30                   |
| 4         | 4               | 1013466-11       | .22 MFD 50V +80-20% Z5U CER   | 7                       | C4,C6,C9,C16,C19,C22,C25 |
| 5         | 5               | 1016233-00       | 14,000 MFD 28V 20% AL EL      | 2                       | C5,C7                    |
| 6         | 6               | 1014260-03       | 8200 MFD 6.3V +75-10% AL EL   | 1                       | C8                       |
| 7         | 7               | 1001610-01       | .01 MFD50/100V +80-20% DISC   | 9                       | C10,C11,C13,C14,C45-C49  |
| 8         | 8               | 1005507-00       | 1 MFD 100V +50-10% AL EL      | 2                       | C12,C27                  |
| 9         | 9               | 1014260-02       | 2100 MFD 40V +75-10% AL EL    | 1                       | C15                      |
| 10        | 10              | 1014526-00       | 180 MFD 40V+100-10% AL EL     | 2                       | C17,C20                  |
| 11        | 11              | 1012607-00       | 560 MFD 20V+100-10% AL EL     | 2                       | C18,C21                  |
| 12        | 12              | 1000055-00       | 2200.0 MMF 250V 20% Y5S DISC  | 5                       | C32,C39-C42              |
| 13        | 13              | 1011847-01       | .01 MFD 400V 10% POLYPROP     | 1                       | C31                      |
| 14        | 14              | 1014170-00       | 2700.0 MMF 100V 1% 70PPM MICA | 1                       | C24                      |
| 15        | 15              | 1000016-00       | 100.0 MMF 100V 5%200PPM MICA  | 2                       | C23,C29                  |
| 16        | 16              | 1005328-00       | .33 MFD 20V 10% S.TANT        | 1                       | C26                      |
| 17        | 17              | 1004812-00       | 15 MFD 20V 10% S.TANT         | 1                       | C28                      |
| 18        | 18              | 1112595-02       | A114M PIV=600 I= 1A           | 2                       | D1,D15                   |
| 19        | 20              | 1105796-00       | 1N 4004 PIV=400 I= 1A D041 SP | 8                       | D3-D6,D17,D21,D31,D20    |
| 20        | 21              | 1114192-00       | TR=200NS COM. CATHODE         | 2                       | D7,D8                    |
| 21        | 22              | 1114893-00       | UES1301 PIV= 50 I= 6A         | 2                       | D9,D10                   |
| 22        | 23              | 1110615-01       | PIV=600 I=6A SI               | 4                       | D11,D12,D13,D14          |
| 23        | 24              | 1105873-00       | 4M5-1AZ1 VZ= 5.1 1% .400W     | 1                       | D22                      |
| 24        | 25              | 1100114-00       | D 664 QS\75PCB PIV= 25V SP    | 5                       | D23,D24,D28,D19,D32      |
| 25        | 26              | 1112594-01       | A115B PIV=200 I= 3A           | 1                       | D25                      |
| 26        | 27              | 1112595-01       | A114B PIV=200 I= 1A           | 4                       | D26,D27,D29,D30          |
| 27        | 28              | 1115369-00       | VM 18 PIV=100 I=1A            | 1                       | E1                       |
| 28        | 29              | 1510706-00       | XA 55 PNP 500MW SI 60 50 P    | 1                       | Q4                       |
| 29        | 30              | 1514271-01       | D 44Q5 NPN 31W SI225 30       | 1                       | Q3                       |
| 30        | 31              | 1510705-00       | XA 05 NPN 500MW SI 60 50 P    | 1                       | Q5                       |

| REVISION HISTORY |               | BASIC PART NO: 5413673 |                         | DRN:             | JERRY BEST    | DATE:                | 05-OCT-78 | D I G I T A L    |      |               |     |
|------------------|---------------|------------------------|-------------------------|------------------|---------------|----------------------|-----------|------------------|------|---------------|-----|
| ENG              | ECO NUMBER    | REV                    | SECTION A OF A          | CHK'D:           | T. SHETRAWSKI | DATE:                | 05-OCT-78 | TITLE PARTS LIST |      |               |     |
| ---              | INIT          | B                      | SECTION VARIATION INDEX | DES.ENG:         | DAN SHEEHAN   | DATE:                | 05-OCT-78 | DOCUMENT NUMBER  |      |               |     |
| DS               | 5413673-PN002 | C                      | [A] 00                  | RESP.ENG.:       | DAN SHEEHAN   | DATE:                | 05-OCT-78 | SIZE             | CODE | NUMBER        | REV |
| JB               | 5413673-PN003 | D                      | [B]                     | MFG.ENG.:        | JIM JOYCE     | DATE:                | 09-APR-79 | K                | PL   | 5413673-0-DBP | H   |
| JB               | 5413673-PN004 | E                      | [C]                     | ASSEMBLY NUMBER: |               | TOP DOCUMENT NUMBER: |           | FILE NAME:       |      | EDIT #        |     |
| JB               | 5413673-PN005 | F                      | [D]                     | D-UA-5413673-0-0 |               |                      |           | 13673H.PLS       |      | 52            |     |
| LG               | 5413673-PN006 | H                      | [E]                     |                  |               |                      |           |                  |      |               |     |
| NG               | 5413673-PN006 | H                      | [F]                     |                  |               |                      |           |                  |      |               |     |
|                  |               |                        | [G]                     |                  |               |                      |           |                  |      |               |     |
|                  |               |                        | [H]                     |                  |               |                      |           |                  |      |               |     |
|                  |               |                        | [I]                     |                  |               |                      |           |                  |      |               |     |
|                  |               |                        | [J]                     |                  |               |                      |           |                  |      |               |     |
|                  |               |                        | [K]                     |                  |               |                      |           |                  |      |               |     |
|                  |               |                        | [L]                     |                  |               |                      |           |                  |      |               |     |
|                  |               |                        | [M]                     |                  |               |                      |           |                  |      |               |     |
|                  |               |                        | [N]                     |                  |               |                      |           |                  |      |               |     |

"THIS DRAWING AND SPECIFICATIONS HEREIN, ARE THE PROPERTY OF DIGITAL EQUIPMENT CORPORATION AND SHALL NOT BE REPRODUCED OR COPIED OR USED IN WHOLE OR IN PART AS THE BASIS FOR THE MANUFACTURE OR SALE OF ITEMS WITHOUT WRITTEN PERMISSION. COPYRIGHT (C) 1981. DIGITAL EQUIPMENT CORPORATION"

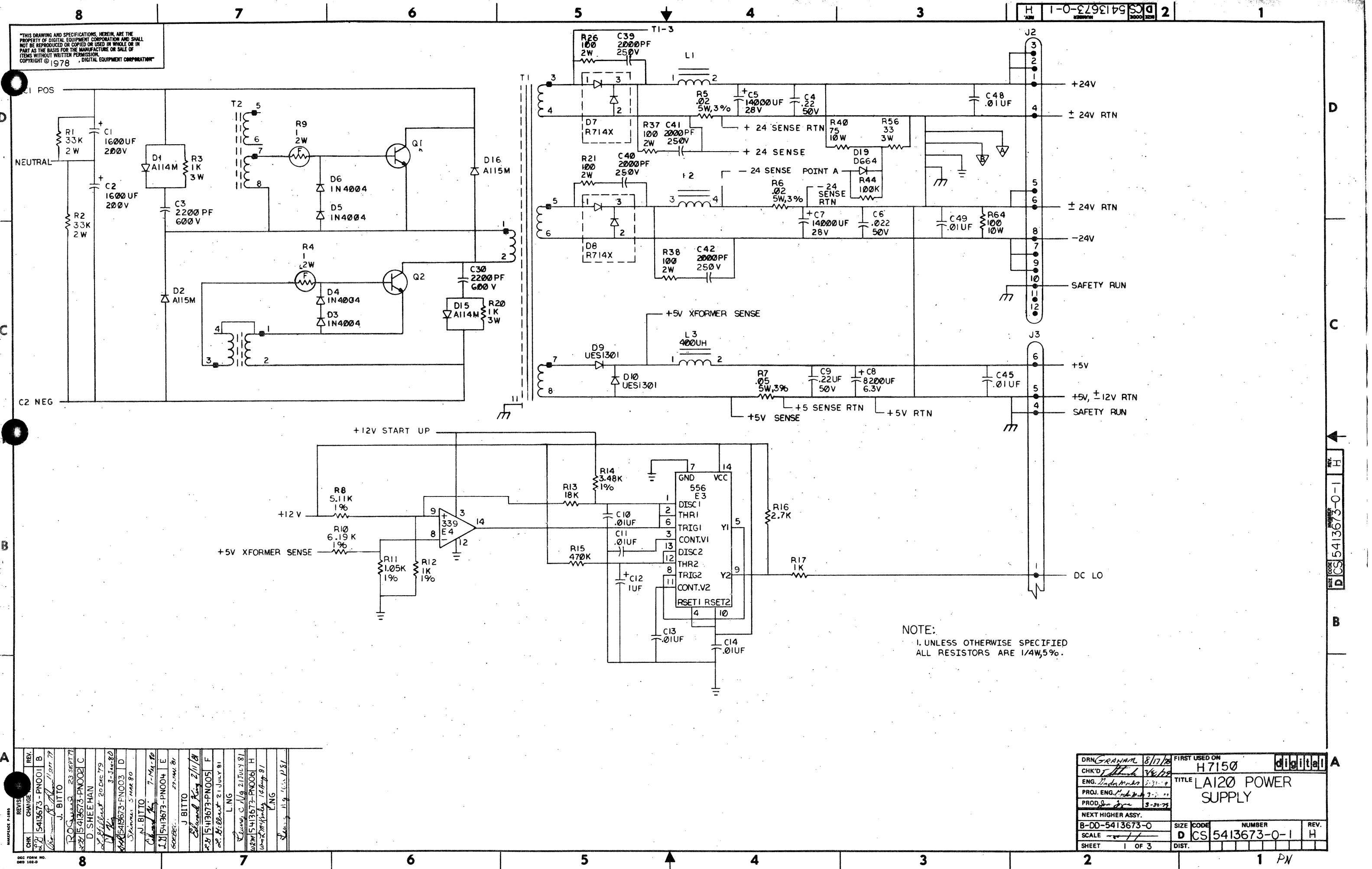
| LINE | ITEM | DOCUMENT NUMBER | PART NUMBER | DESCRIPTION                   | QTY PER VARIATION<br>00 | REFERENCE DESIGNATOR        |
|------|------|-----------------|-------------|-------------------------------|-------------------------|-----------------------------|
| 31   | 32   |                 | 1512782-00  | NPN 100W S1325 15             | 2                       | Q1,Q2                       |
| 32   | 33   |                 | 1212297-06  | MATE-N-LOK 12PIN UNIV HEADER  | 1                       | J2                          |
| 33   | 34   |                 | 1212297-02  | MATE-N-LOK 9PIN UNIV HEADER   | 1                       | J1                          |
| 34   | 35   |                 | 1212297-05  | MATE-N-LOK 6PIN UNIV HEADER   | 1                       | J3                          |
| 35   | 37   |                 | 1213426-04  | HEAT SINK T0-3 CLEAR ANODIZED | 6                       |                             |
| 36   | 38   |                 | 1215228-00  | *** THIS ITEM IS NOT USED *** | -                       |                             |
| 37   | 40   |                 | 1300512-00  | 33.0 K 2.0 W10.0 % CC         | 2                       | R1,R2                       |
| 38   | 41   |                 | 1314350-00  | 1.0 2.0 W10.0 % FUSE          | 2                       | R4,R9                       |
| 39   | 42   |                 | 1310876-00  | .02 5.0 W 3.0 % WW            | 2                       | R5,R6                       |
| 40   | 43   |                 | 1310876-03  | .05 5.0 W 3.0 % WW            | 1                       | R7                          |
| 41   | 46   |                 | 1312479-00  | 1.05 K .25 W 1.0 % RN55D-F10  | 1                       | R11                         |
| 42   | 47   |                 | 1303114-00  | 1.0 K .25 W 1.0 % RN55D-F10   | 7                       | R12,R47,R48,R53,R58,R59,R54 |
| 43   | 48   |                 | 1302465-00  | 18.0 K .25 W 5.0 % CC         | 1                       | R13                         |
| 44   | 49   |                 | 1305114-00  | 3.48 K .25 W 1.0 % RN55D-F10  | 1                       | R14                         |
| 45   | 50   |                 | 1302398-00  | 470.0 K .25 W 5.0 % CC        | 1                       | R15                         |
| 46   | 51   |                 | 1300426-00  | 2.70 K .25 W 5.0 % CC         | 1                       | R16                         |
| 47   | 52   |                 | 1314270-02  | 2.50 15.0 % NTC THERM         | 2                       | R18,R19                     |
| 48   | 53   |                 | 1314520-00  | 9.10 10.0 W 5.0 % WW          | 2                       | R22,R24                     |
| 49   | 54   |                 | 1300400-00  | 1.80 K .50 W10.0 % CC         | 2                       | R23,R25                     |
| 50   | 55   |                 | 1314239-00  | 33.0 3.0 W 5.0 % WW           | 1                       | R56                         |
| 51   | 56   |                 | 1300219-00  | 68.0 .25 W 5.0 % CC           | 1                       | R43                         |
| 52   | 57   |                 | 1309595-00  | 1.0 M .25 W 5.0 % CC          | 1                       | R46                         |
| 53   | 58   |                 | 1314253-00  | 240.0 K .25 W 5.0 % CC        | 3                       | R50,R57,R62                 |
| 54   | 59   |                 | 1305336-00  | 200.0 K .25 W 1.0 % RN55D-F10 | 1                       | R60                         |
| 55   | 64   |                 | 1300316-00  | 470.0 .25 W 5.0 % CC          | 1                       | R35                         |
| 56   | 65   |                 | 1304854-00  | 5.11 K .25 W 1.0 % RN55D-F10  | 5                       | R28,R29,R30,R31,R8          |
| 57   | 66   |                 | 1314187-00  | 6.19 K .25 W 1.0 % RN55D-F10  | 2                       | R32,R10                     |
| 58   | 67   |                 | 1301317-00  | 10.0 .25 W 5.0 % CC           | 2                       | R36,R42                     |
| 59   | 68   |                 | 1302091-00  | 330.0 K .25 W 5.0 % CC        | 1                       | R33                         |
| 60   | 69   |                 | 1302177-00  | 47.0 K .25 W 5.0 % CC         | 2                       | R34,R51                     |
| 61   | 70   |                 | 1300285-00  | 270.0 .50 W 5.0 % CC          | 1                       | R27                         |
| 62   | 72   |                 | 1305380-00  | 270.0 2.0 W 5.0 % CC          | 1                       | R45                         |
| 63   | 73   |                 | 1300249-00  | 150.0 .50 W 5.0 % CC          | 1                       | R41                         |
| 64   | 74   |                 | 9009185-00  | *** THIS ITEM IS NOT USED *** | -                       |                             |
| 65   | 75   |                 | 1310597-00  | 100.0 10.0 W 5.0 % WW         | 1                       | R64                         |
| 66   | 76   |                 | 1300365-00  | 1.0 K .25 W 5.0 % CC          | 2                       | R17,R61                     |
| 67   | 77   |                 | 1311594-00  | 30.10 K .25 W 1.0 % RN55D-F10 | 1                       | R49                         |
| 68   | 78   |                 | 1616234-00  | CHOKE,DUAL .3UH-1.35UH,0A-7A  | 1                       | L1,L2                       |
| 69   | 79   |                 | 1614542-00  | CHOKE,400UH 4.2A              | 1                       | L3                          |
| 70   | 80   |                 | 1614539-01  | XFMR P=AB S= 140              | 1                       | T1                          |
| 71   | 81   |                 | 1614272-00  | PULSE XFMR,4 WOUND            | 1                       | T2                          |
| 72   | 82   |                 | 1616237-00  | XFMR P=AB S= 15@150MA 50HZ    | 1                       | T3                          |
| 73   | 83   |                 | 1914250-00  | 3524 MODULATOR-REGULATING     | 1                       | E2                          |
| 74   | 84   |                 | 1912108-00  | 339 VOLT CMPRTR,QUAD          | 1                       | E4                          |
| 75   | 85   |                 | 1914392-00  | 556 TIMER-DUAL                | 1                       | E3                          |
| 76   | 86   |                 | 1912048-00  | DEC 7812 VOLT REG,FIX +12V    | 1                       | Z1                          |
| 77   | 87   |                 | 1914517-00  | 7912 VOLT REG,FIX -12V        | 1                       | Z2                          |
| 78   | 88   |                 | 1912048-06  | DEC 7812 VOLT REG,FIX +12V    | 1                       | Z3                          |

|   |   |   |   |   |   |   |                    |                |      |      |                 |     |
|---|---|---|---|---|---|---|--------------------|----------------|------|------|-----------------|-----|
| D | I | G | I | T | A | L | TITLE              | SECTION A OF A | SIZE | CODE | DOCUMENT NUMBER | REV |
|   |   |   |   |   |   |   | LA120 POWER SUPPLY |                | K    | PL   | 5413673-0-DBP   | H   |

| LINE | ITEM | DOCUMENT NUMBER | PART NUMBER | DESCRIPTION                        | QTY PER VARIATION<br>00 | REFERENCE DESIGNATOR |
|------|------|-----------------|-------------|------------------------------------|-------------------------|----------------------|
| 79   | 89   |                 | 9009798-00  | SPACER, CERAMIC, .186 ODX.078 ID   | 14                      |                      |
| 80   | 90   |                 | 9009950-01  | WASHER, FLAT BR/TIN .203IDX .4380  | 9                       |                      |
| 81   | 91   |                 | 9000038-07  | SCREW, PAN, PHIL 10-32X 3/8 BR/T   | 8                       |                      |
| 82   | 92   |                 | 9007801-00  | WASHER, LOCK, S.S. #6              | 12                      |                      |
| 83   | 93   |                 | 9006010-01  | *** THIS ITEM IS NOT USED ***      | -                       |                      |
| 84   | 94   |                 | 9006557-00  | *** THIS ITEM IS NOT USED ***      | -                       |                      |
| 85   | 95   |                 | 1214789-00  | INSERT, THREADED 6-32, BRASS, ELEC | 12                      |                      |
| 86   | 98   |                 | 9007793-01  | SCREW, PAN, PHIL 6-32X 9/16 SS     | 12                      |                      |
| 87   | 102  |                 | 9007906-00  | WASHER, LOCK S.S. #10              | 8                       |                      |
| 88   | 103  |                 | 1011740-05  | 1000.0 MMF 50V 10% CER             | 6                       | C33-C38              |
| 89   | 106  |                 | 1112594-02  | A115M PIV=600 I= 3A                | 2                       | D2, D16              |
| 90   | 107  |                 | 1302380-00  | 100.0 2.0 W 5.0 % CC               | 4                       | R21, R26, R37, R38   |
| 91   | 108  |                 | 1310606-00  | 75.0 10.0 W 5.0 % WW               | 1                       | R40                  |
| 92   | 109  |                 | 1312984-00  | 187.0 K .25 W 1.0 % RN55D-F10      | 1                       | R55                  |
| 93   | 110  |                 | 1305323-00  | 511.0 K .25 W 1.0 % RN55D-F10      | 1                       | R63                  |
| 94   | 111  |                 | 1303043-00  | 464.0 K .25 W 1.0 % RN55D-F10      | 1                       | R52                  |
| 95   | 113  |                 | 1314675-00  | 1.0 K 3.0 W 5.0 % WW               | 2                       | R3, R20              |
| 96   | 120  |                 | 1302466-00  | 100.0 K .25 W 5.0 % CC             | 1                       | R44                  |
| 97   | 121  |                 | 9006565-00  | NUT, KEP 10-32X 3/8 AF             | 1                       |                      |
| 98   | 122  |                 | 9009676-00  | TERM, SOLDER BARRIER STR           | 6                       |                      |
| 99   | 123  |                 | 9107780-00  | *** THIS ITEM IS NOT USED ***      | -                       |                      |
| 100  | 124  |                 | 1309094-00  | 100.0 5.0 W 5.0 % WW               | 1                       | R39                  |

|   |   |   |   |   |   |   |                    |                |      |      |                 |     |
|---|---|---|---|---|---|---|--------------------|----------------|------|------|-----------------|-----|
| D | I | G | I | T | A | L | TITLE              | SECTION A OF A | SIZE | CODE | DOCUMENT NUMBER | REV |
|   |   |   |   |   |   |   | LA120 POWER SUPPLY |                | K    | PL   | 5413673-0-DBP   | H   |

"THIS DRAWING AND SPECIFICATIONS, HEREIN, ARE THE PROPERTY OF DIGITAL EQUIPMENT CORPORATION AND SHALL NOT BE REPRODUCED OR COPIED OR USED IN WHOLE OR IN PART AS THE BASIS FOR THE MANUFACTURE OR SALE OF ITEMS WITHOUT WRITTEN PERMISSION. COPYRIGHT © 1978, DIGITAL EQUIPMENT CORPORATION"

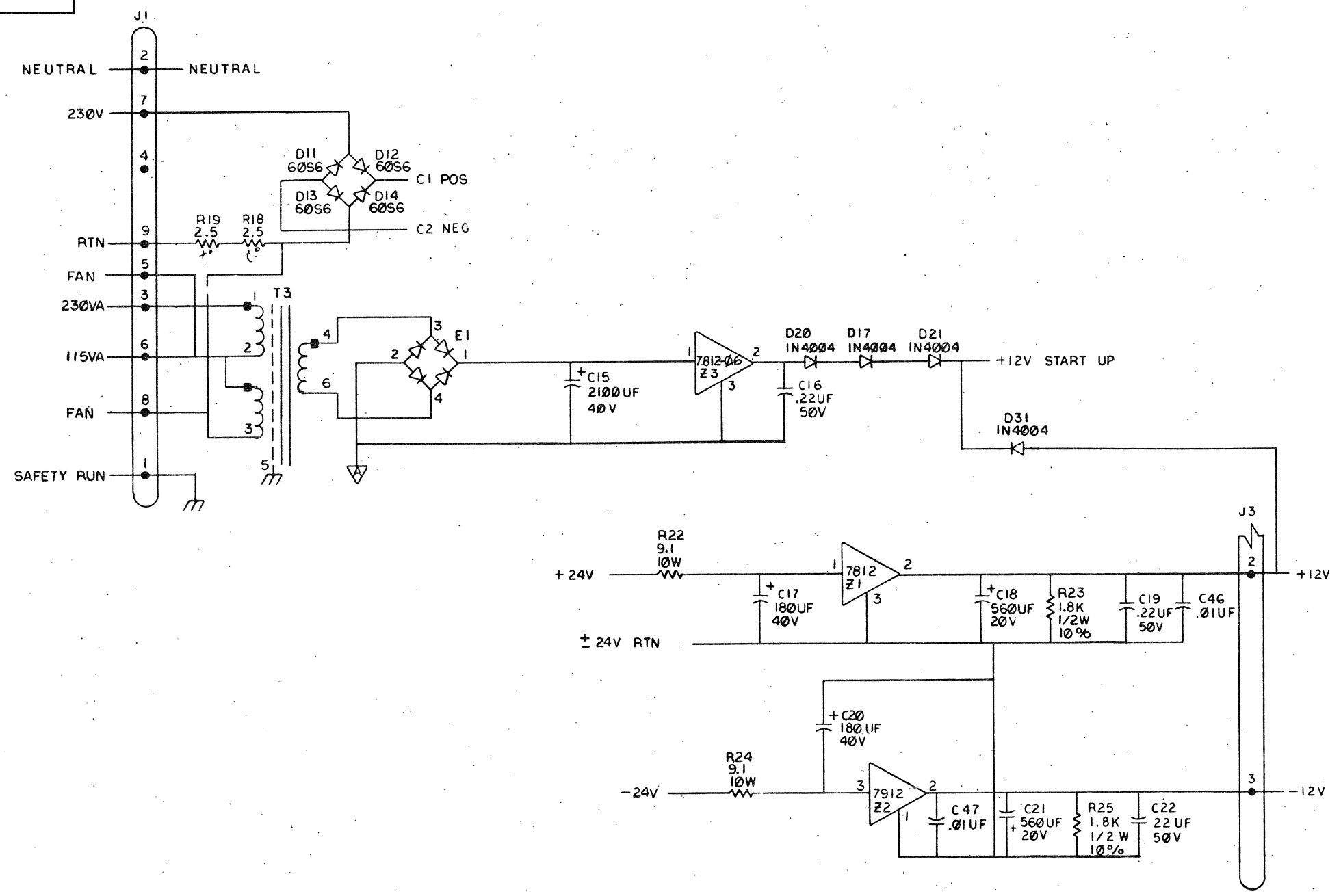


NOTE:  
1. UNLESS OTHERWISE SPECIFIED  
ALL RESISTORS ARE 1/4W, 5%.

| REV. | CHK.       | CHANGE          | DATE       |
|------|------------|-----------------|------------|
| 1    | J. BITTO   | 5413673-PN001 B | 23 SEPT 77 |
| 2    | D. SHEEHAN | 5413673-PN002 C | 3 JAN 80   |
| 3    | J. BITTO   | 5413673-PN003 D | 5 MAR 80   |
| 4    | J. BITTO   | 5413673-PN004 E | 7 MAR 80   |
| 5    | J. BITTO   | 5413673-PN005 F | 21 JULY 81 |
| 6    | LNG        | 5413673-PN006 H | 14 AUG 81  |
| 7    | LNG        | 5413673-PN007 I | 11 SEP 81  |

|                   |        |         |               |                    |             |
|-------------------|--------|---------|---------------|--------------------|-------------|
| DRN               | GRAHAM | 8/17/80 | FIRST USED ON | H7150              | digital     |
| CHK'D             | ...    | ...     | TITLE         | LA120 POWER SUPPLY |             |
| ENG.              | ...    | ...     | PROJECT       | ...                |             |
| PROD.             | ...    | ...     | DATE          | 3-30-79            |             |
| NEXT HIGHER ASSY. |        |         | SIZE          | CODE               | NUMBER      |
| B-DD-5413673-0    |        |         | D             | CS                 | 5413673-0-1 |
| SCALE             | 1/1    | DIST.   | REV.          | H                  |             |
| SHEET             | 1 OF 3 |         |               | 1 PV               |             |

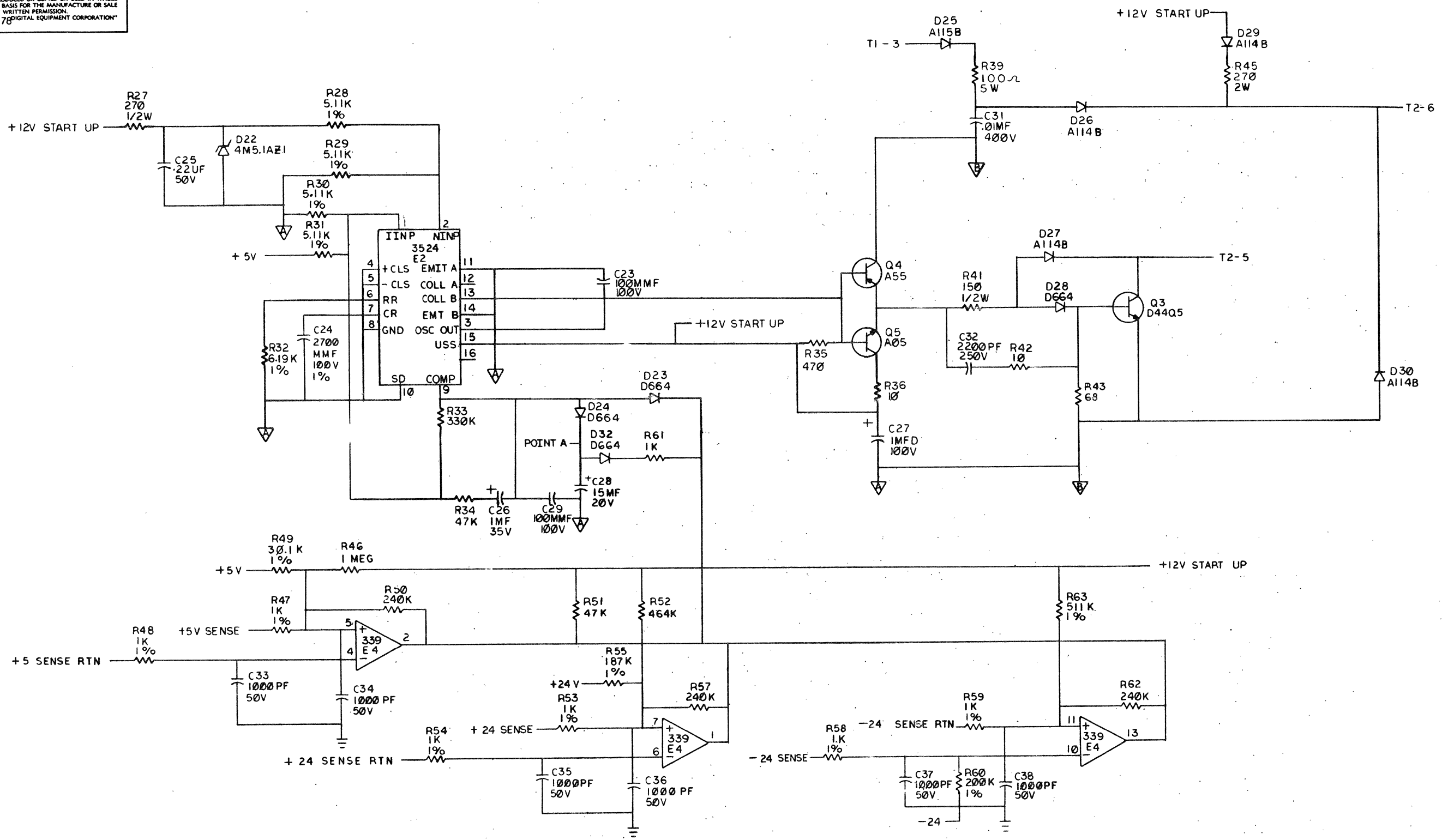
"THIS DRAWING AND SPECIFICATIONS, HEREIN, ARE THE PROPERTY OF DIGITAL EQUIPMENT CORPORATION AND SHALL NOT BE REPRODUCED OR COPIED OR USED IN WHOLE OR IN PART AS THE BASIS FOR THE MANUFACTURE OR SALE OF ITEMS WITHOUT WRITTEN PERMISSION. COPYRIGHT © 1978 DIGITAL EQUIPMENT CORPORATION"



| REVISIONS |            |      |
|-----------|------------|------|
| CHK       | CHANGE NO. | REV. |
|           |            |      |

|       |                    |           |      |        |             |       |   |
|-------|--------------------|-----------|------|--------|-------------|-------|---|
| TITLE | LA120 POWER SUPPLY | SIZE CODE | D CS | NUMBER | 5413673-0-1 | REV.  | H |
| SCALE |                    | SHEET     | 2    | OF     | 3           | DIST. |   |

"THIS DRAWING AND SPECIFICATIONS, HEREIN, ARE THE PROPERTY OF DIGITAL EQUIPMENT CORPORATION AND SHALL NOT BE REPRODUCED OR COPIED OR USED IN WHOLE OR IN PART AS THE BASIS FOR THE MANUFACTURE OR SALE OF ITEMS WITHOUT WRITTEN PERMISSION.  
 COPYRIGHT © 1978 DIGITAL EQUIPMENT CORPORATION"

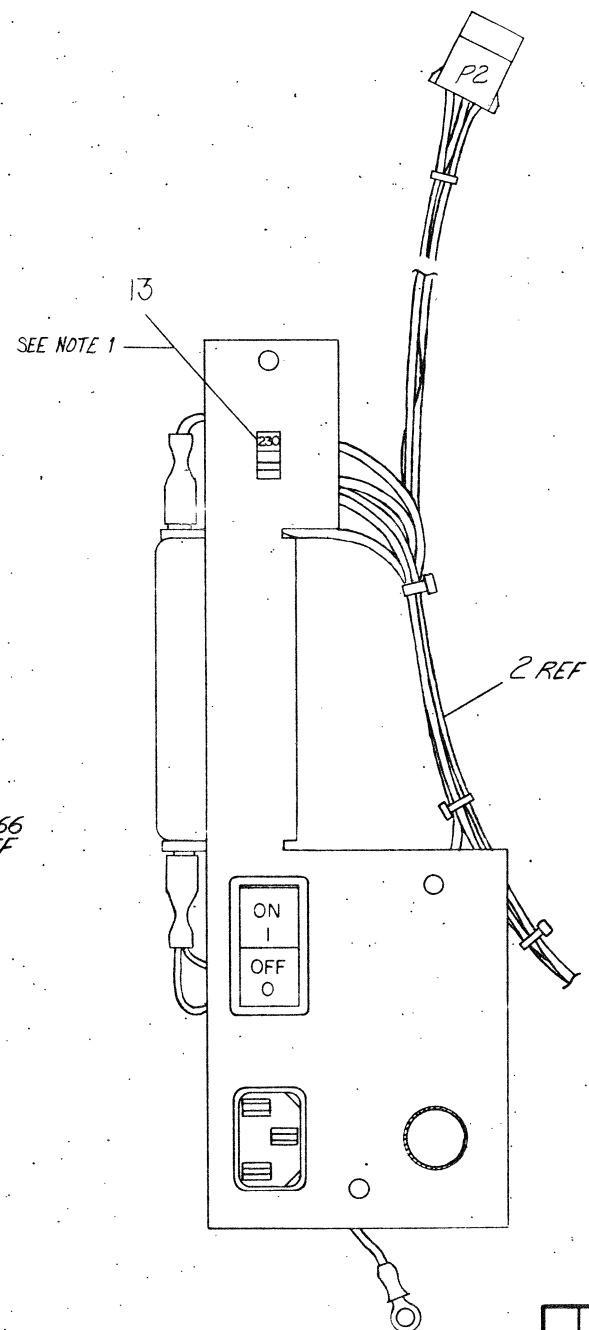
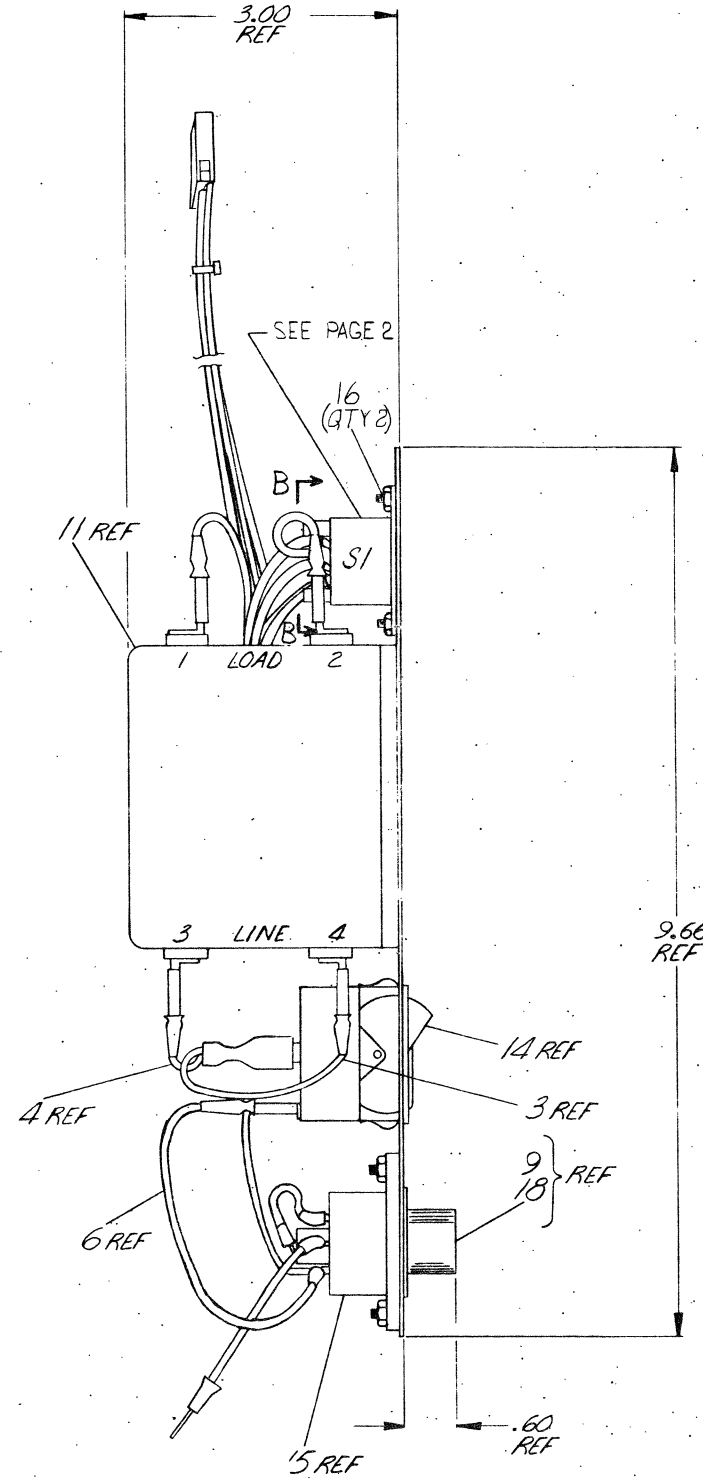
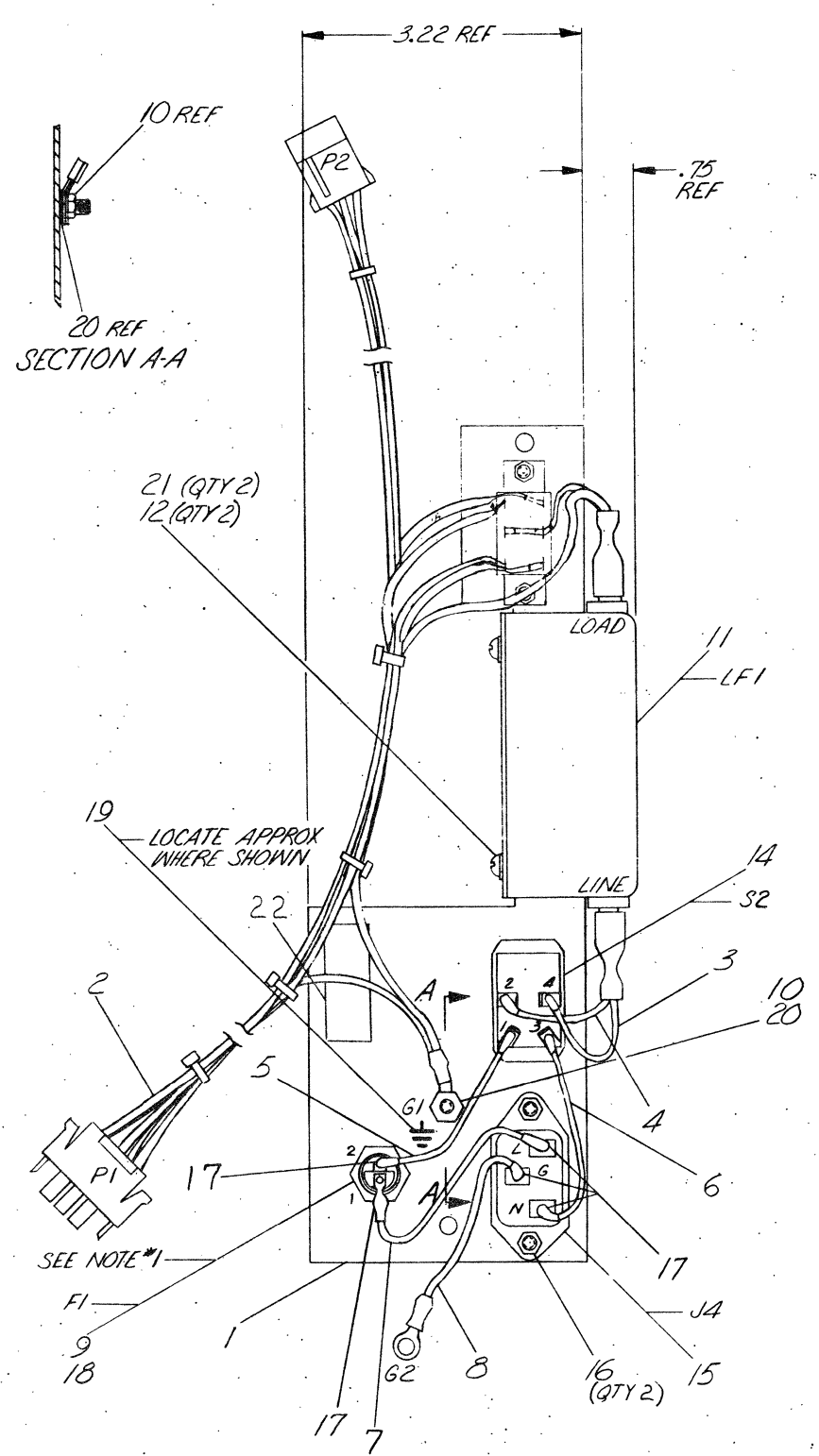


| REVISIONS |            |      |
|-----------|------------|------|
| CHK       | CHANGE NO. | REV. |
|           |            |      |
|           |            |      |

|       |                    |           |      |        |             |      |   |
|-------|--------------------|-----------|------|--------|-------------|------|---|
| TITLE | LA120 POWER SUPPLY | SIZE CODE | D CS | NUMBER | 5413673-0-1 | REV. | H |
| SCALE | 1/1                | SHEET     | 3    | OF 3   |             |      |   |

"THIS DRAWING AND SPECIFICATIONS HEREIN ARE THE PROPERTY OF DIGITAL EQUIPMENT CORPORATION AND SHALL NOT BE REPRODUCED OR COPIED OR USED IN WHOLE OR IN PART AS THE BASIS FOR THE MANUFACTURE OR SALE OF ITEMS WITHOUT WRITTEN PERMISSION. COPYRIGHT © 1978, DIGITAL EQUIPMENT CORPORATION"

NOTES:  
1. OPTIONAL SWITCH HAS 220V LABELING.



CAUTION: OFF SHEET PARTS LIST EXISTS. SEE K-PL-7016530-0-DBP

| REV. | CHANGE NO.     | DATE     | BY           | CHK'D |
|------|----------------|----------|--------------|-------|
| 1    | 17016530-PN001 | 10-16-80 | B. O'CONNELL |       |
| 2    | 17016530-PN002 | 11-16-80 | J. BITTO     |       |
| 3    | 17016530-PN003 | 12-16-80 | J. BITTO     |       |
| 4    | 17016530-PN004 | 1-16-81  | J. BITTO     |       |
| 5    | 17016530-PN005 | 2-16-81  | J. BITTO     |       |
| 6    | 17016530-PN006 | 3-16-81  | J. BITTO     |       |
| 7    | 17016530-PN007 | 4-16-81  | J. BITTO     |       |
| 8    | 17016530-PN008 | 5-16-81  | J. BITTO     |       |
| 9    | 17016530-PN009 | 6-16-81  | J. BITTO     |       |
| 10   | 17016530-PN010 | 7-16-81  | J. BITTO     |       |
| 11   | 17016530-PN011 | 8-16-81  | J. BITTO     |       |
| 12   | 17016530-PN012 | 9-16-81  | J. BITTO     |       |
| 13   | 17016530-PN013 | 10-16-81 | J. BITTO     |       |
| 14   | 17016530-PN014 | 11-16-81 | J. BITTO     |       |
| 15   | 17016530-PN015 | 12-16-81 | J. BITTO     |       |
| 16   | 17016530-PN016 | 1-16-82  | J. BITTO     |       |
| 17   | 17016530-PN017 | 2-16-82  | J. BITTO     |       |
| 18   | 17016530-PN018 | 3-16-82  | J. BITTO     |       |
| 19   | 17016530-PN019 | 4-16-82  | J. BITTO     |       |
| 20   | 17016530-PN020 | 5-16-82  | J. BITTO     |       |
| 21   | 17016530-PN021 | 6-16-82  | J. BITTO     |       |
| 22   | 17016530-PN022 | 7-16-82  | J. BITTO     |       |

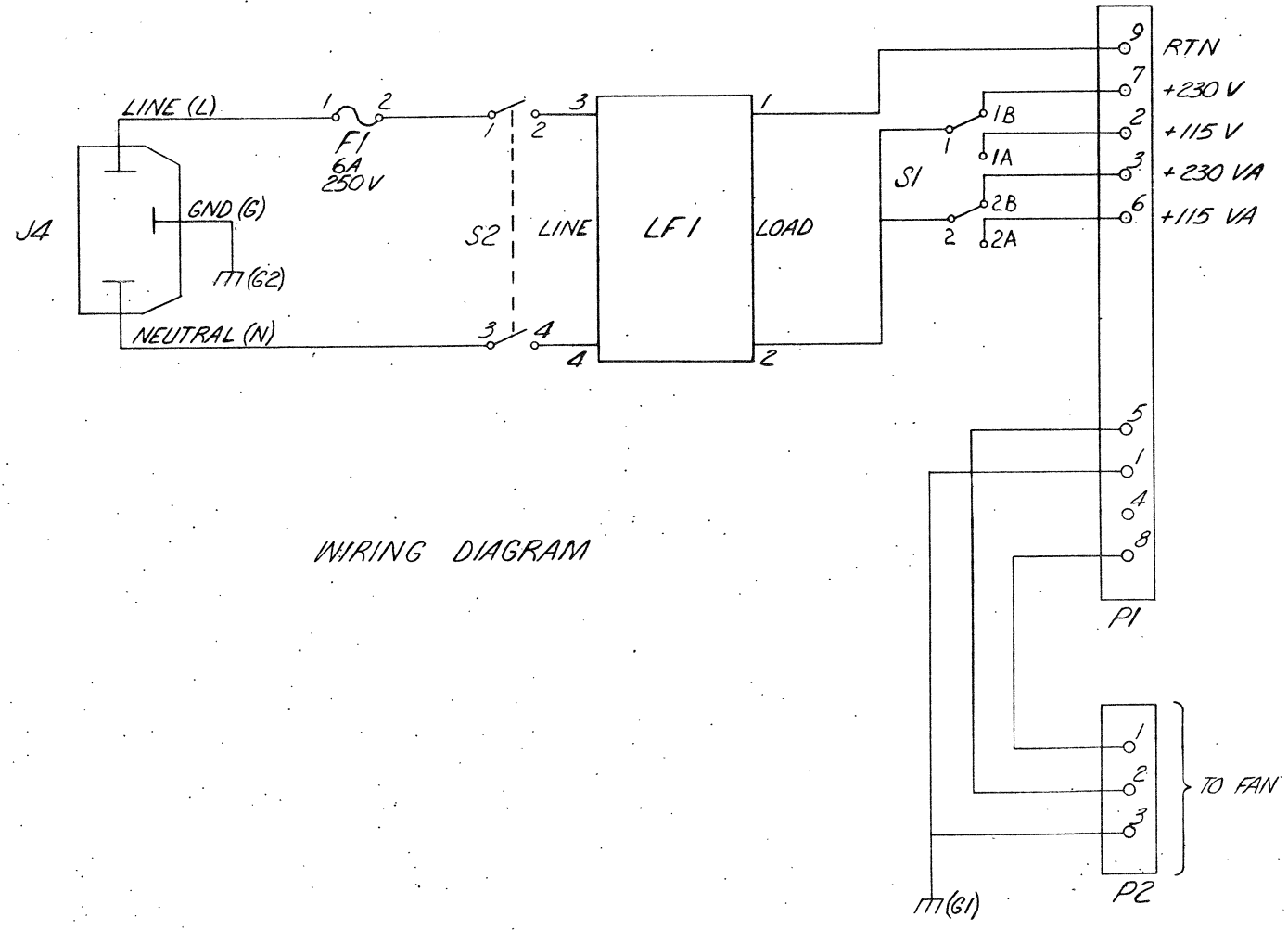
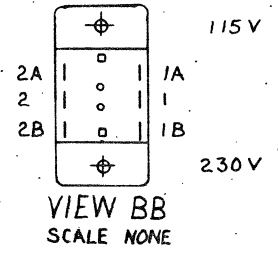
| QUANTITY & VARIATION                                |  | DESCRIPTION                   | DWG. PART NO.                  | ITEM NO.          |
|---|--|-------------------------------|--------------------------------|-------------------|
| UNLESS OTHERWISE SPECIFIED DIMENSIONS ARE IN INCHES |  |                               |                                |                   |
| ANGLES 40° 30'                                      |  | CLASS OF ACCURACY             | NOMINAL DIMENSION RANGE INCHES |                   |
| SURFACE QUALITY - IN                                |  | (CHECK ONE)                   | OVER 0 TO 0.2                  | OVER 0.2 TO 1.2   |
| MICROINCHES   |  | PREFERRED                     | OVER 1.2 TO 4.0                | OVER 4.0 TO 12.0  |
|   |  |                               | OVER 12.0 TO 40.0              | OVER 40.0 TO 80.0 |
|   |  |                               | ±.004                          | ±.008             |
|   |  |                               | ±.012                          | ±.016             |
|   |  |                               | ±.025                          | ±.04              |
|   |  |                               | ±.063                          | ±.1               |
| THIRD ANGLE PROJECTION                              |  | DRN: <i>[Signature]</i>       | FIRST USED ON                  |                   |
| REMOVE BURRS AND BREAK SHARP CORNERS                |  | CHK'D: <i>[Signature]</i>     | LA120                          |                   |
| DO NOT SCALE DWG                                    |  | ENG: <i>[Signature]</i>       | TITLE                          |                   |
| MATERIAL SEE 6530B.PLS                              |  | PROJ. ENG: <i>[Signature]</i> | POWER ENTRY ASSY (SWITCHER)    |                   |
| FINISH  |  | PROD: <i>[Signature]</i>      | SIZE CODE                      |                   |
|   |  |                               | D IA                           |                   |
|   |  |                               | NUMBER                         |                   |
|   |  |                               | 7016530-0-0                    |                   |
|   |  |                               | REV. D                         |                   |
|   |  |                               | DIST.                          |                   |
|   |  |                               | PN 1                           |                   |



"THIS DRAWING AND SPECIFICATIONS HEREIN, ARE THE PROPERTY OF DIGITAL EQUIPMENT CORPORATION AND SHALL NOT BE REPRODUCED OR COPIED OR USED IN WHOLE OR IN PART AS THE BASIS FOR THE MANUFACTURE OR SALE OF ITEMS WITHOUT WRITTEN PERMISSION. COPYRIGHT © 1978 DIGITAL EQUIPMENT CORPORATION"

WIRE TABLE

| ITEM NO. | DESCRIPTION |         |       | FROM  |         |       | TO    |          |  | REMARKS |
|----------|-------------|---------|-------|-------|---------|-------|-------|----------|--|---------|
|          | AWG         | COLOR   | POINT | CONN  | WITH    | POINT | CONN  | WITH     |  |         |
| 3        | 18          | BLU     | ---   | LF1-4 | ---     | ---   | S2-4  | ---      |  |         |
| 4        | 18          | BRN     | ---   | LF1-3 | ---     | ---   | S2-2  | ---      |  |         |
| 5        | 18          | BLK     | ---   | S2-1  | ---     | ---   | F1-2  | SOLE#17  |  |         |
| 6        | 18          | BLU     | ---   | S2-3  | ---     | ---   | J4-N  | SOLE#17  |  |         |
| 7        | 18          | BRN     | ---   | J4-L  | SOLE#17 | ---   | F1-1  | SOLE#17  |  |         |
| 8        | 14          | GRN/YEL | ---   | J4-G  | SOLE#17 | ---   | ---   | ---      |  |         |
| 2        | 14          | GRN/YEL | 1     | ---   | ---     | ---   | G1    | ITEM #10 |  |         |
|          | 14          | GRN/YEL | 2     | ---   | ---     | ---   | G1    |          |  |         |
|          | 18          | BLU     | ---   | SI-1  | ---     | ---   | LF1-2 |          |  |         |
|          | 18          | BRN     | ---   | PI-9  | ---     | ---   | LF1-1 |          |  |         |
|          | 18          | BLK     | ---   | PI-7  | ---     | 11    | SI-1B |          |  |         |
|          | 18          | BLK     | ---   | PI-3  | ---     | 12    | SI-2B |          |  |         |
|          | 18          | BRN     | ---   | PI-2  | ---     | 13    | SI-1A |          |  |         |
|          | 18          | BRN     | ---   | PI-6  | ---     | 14    | SI-2A |          |  |         |
| 18       | BLU         | ---     | SI-2  | ---   | 15      | SI-1  |       |          |  |         |



WIRING DIAGRAM

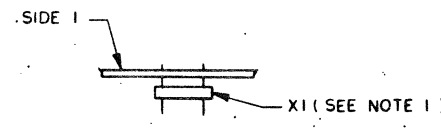
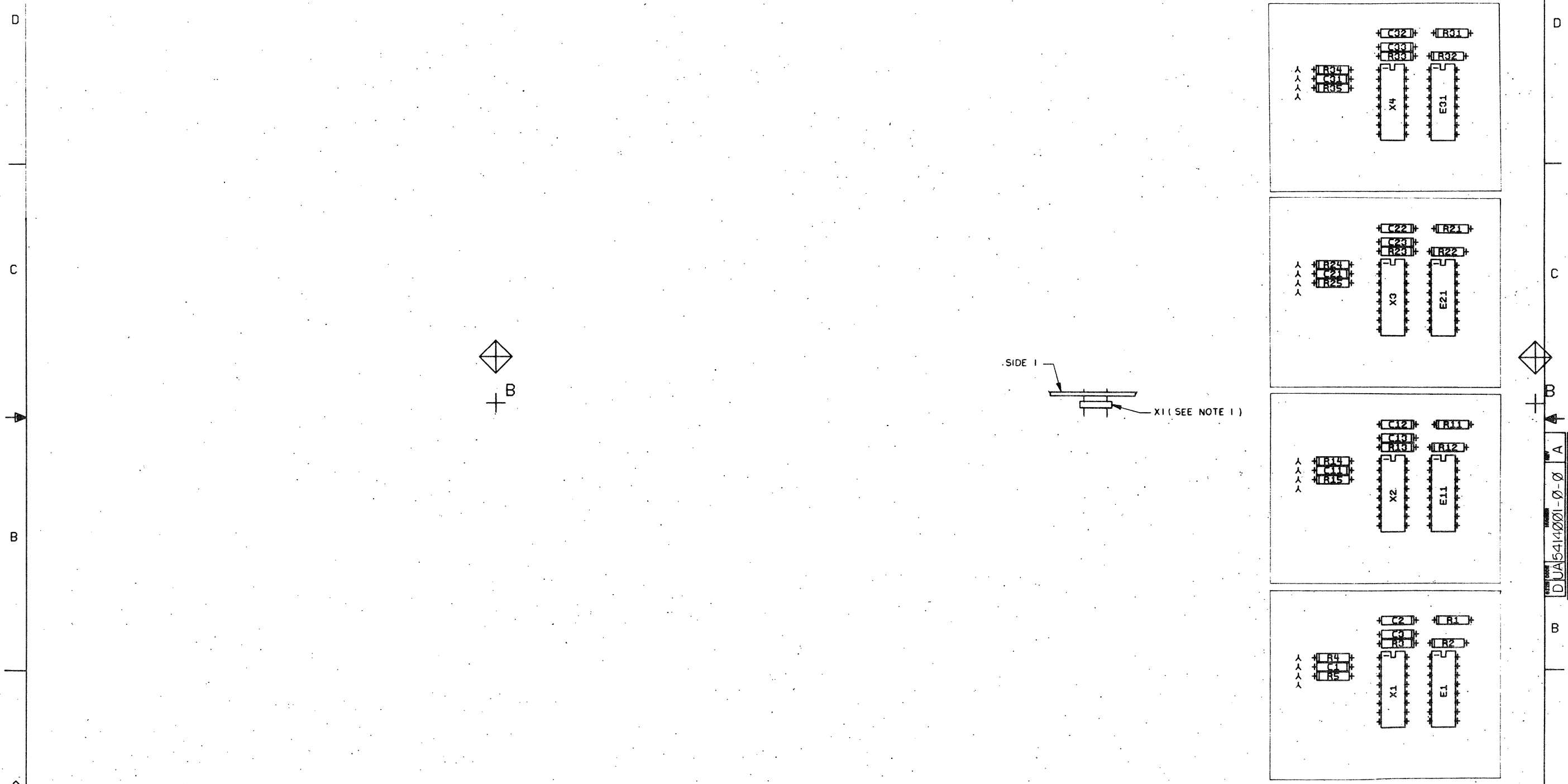
| REVISIONS |            |      |
|-----------|------------|------|
| CHK       | CHANGE NO. | REV. |
|           |            |      |

| LINE | ITEM | DOCUMENT NUMBER  | PART NUMBER | DESCRIPTION                  | QTY PER VARIATION | REFERENCE DESIGNATOR |
|------|------|------------------|-------------|------------------------------|-------------------|----------------------|
| 1    | 1    | D-MD-5014000-0-0 | 5014000-00  | DRILL & ETCH BD              | 1                 |                      |
| 2    | 2    |                  | 1001610-00  | .01 MFD 50V -20+80 Z5U AXIAL | 3                 | C1-C3                |
| 3    | 3    |                  | 1300365-00  | 1 K 1/4W 5% CC               | 1                 | R1                   |
| 4    | 4    |                  | 1300479-00  | 10 K 1/4W 5% CC              | 2                 | R2,R3                |
| 5    | 5    |                  | 1300309-00  | 390 1/4W 5% CC               | 2                 | R4,R5                |
| 6    | 6    |                  | 1912648-00  | LS251 MUX 8 INPUT,TRI-STA    | 1                 | E1                   |
| 7    | 7    |                  | 1209837-00  | SOCKET 16PIN IC ADAPTER PLUG | 1                 | X1                   |
| 8    | 8    |                  | 9009217-00  | POST, WIRE WRAP              | 4                 |                      |

| REVISION HISTORY |            | BASIC PART NO: 5414001 |                         | DRN:  | E, WILSON     | DATE: | 18-DEC-78 | D I G I T A L                   |       |               |     |
|------------------|------------|------------------------|-------------------------|---|---------------|-------|-----------|---------------------------------|-------|---------------|-----|
| ENG:             | ECO NUMBER | REV                    | SECTION A OF A          | CHK'D:  | R, W. CAUNTER | DATE: | 18-DEC-78 | TITLE PARTS LIST                |       |               |     |
| ---              | INITIAL    | A                      | SECTION VARIATION INDEX |   |               |       |           | 5414001<br>LA120 KEYBOARD TERM. |       |               |     |
|                  |            |                        | (A) 00                  | DES, ENG:   | D, LEBLANC    | DATE: | 18-DEC-78 | DOCUMENT NUMBER                 |       |               |     |
|                  |            |                        | (B)                     | RESP, ENG.:   | D, LEBLANC    | DATE: | 18-DEC-78 | SIZE:                           | CODE: | NUMBER        | REV |
|                  |            |                        | (C)                     | MFG, ENG.:  | ED BLAIR      | DATE: | 28-FEB-79 | K                               | PL    | 5414001-0-DBP | A   |
|                  |            |                        | (D)                     | ASSEMBLY NUMBER:  |               |       |           | FILE NAME:                      |       | EDIT #        |     |
|                  |            |                        | (E)                     | D-UA-5414001-0-0  |               |       |           | 14001.PRT                       |       | 3             |     |
|                  |            |                        | (F)                     | "THIS DRAWING AND SPECIFICATIONS HEREIN, ARE THE PROPERTY OF DIGITAL EQUIPMENT CORPORATION AND SHALL NOT BE REPRODUCED<br>OR COPIED OR USED IN WHOLE OR IN PART AS THE BASIS FOR THE MANUFACTURE OR SALE OF ITEMS WITHOUT WRITTEN PERMISSION.<br>COPYRIGHT (C) 1979, DIGITAL EQUIPMENT CORPORATION" |               |       |           |                                 |       |               |     |
|                  |            |                        | (G)                     |   |               |       |           |                                 |       |               |     |
|                  |            |                        | (H)                     |   |               |       |           |                                 |       |               |     |
|                  |            |                        | (I)                     |   |               |       |           |                                 |       |               |     |

THIS DRAWING AND SPECIFICATIONS, HEREIN, ARE THE PROPERTY OF DIGITAL EQUIPMENT CORPORATION AND SHALL NOT BE REPRODUCED OR COPIED IN WHOLE OR IN PART IN ANY MANNER FOR THE MANUFACTURE OR SALE OF ITEMS WITHOUT WRITTEN PERMISSION.  
 COPYRIGHT © 1978 DIGITAL EQUIPMENT CORPORATION

COMPONENT SIDE VIEW

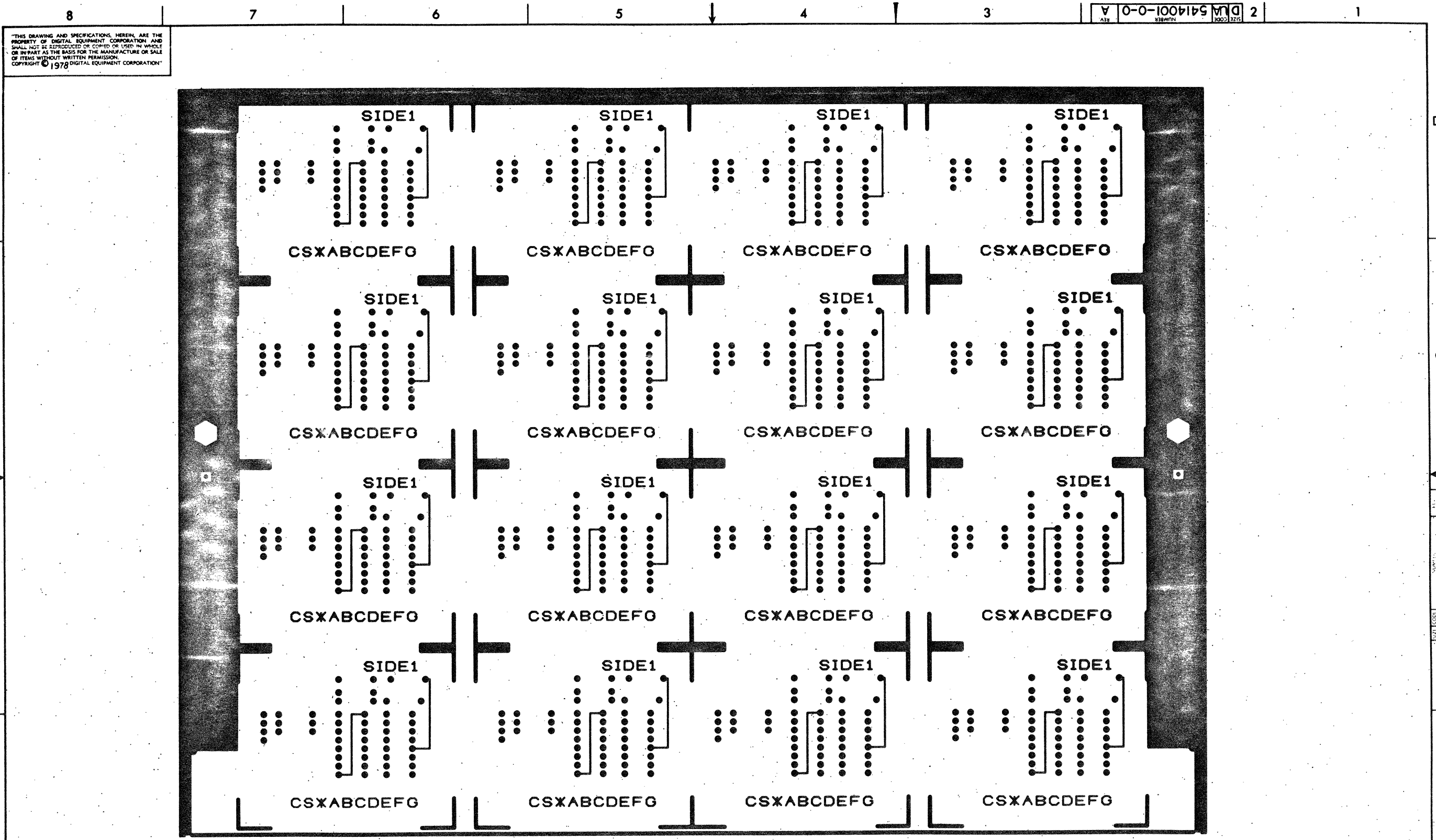


NOTES: 1. COMPONENT XI IS INSTALLED ON SIDE 2 AND IS ONLY INSERTED AS DEEP AS NECESSARY TO MAKE A GOOD SOLDER CONNECTION ON SIDE 1.

|     |    |     |
|-----|----|-----|
| CHG | NO | REV |
|     |    |     |
|     |    |     |
|     |    |     |

|                            |    |
|----------------------------|----|
| ETCH REV.                  | A  |
| P.C. DESIGN DATA BASE REV. | AL |

|                                  |           |                |
|----------------------------------|-----------|----------------|
| SIGNATURES                       | DATE      | digital        |
| DRN. <i>J. L. Espar</i>          | 6-21-78   |                |
| CHK'D. <i>R. J. Caspary</i>      | 6-20-78   | TITLE LA120    |
| ENG. <i>J. L. Espar</i>          | 6-21-78   |                |
| PROJ. ENG. <i>D. J. Caspary</i>  | 1-21-78   | KEYBOARD TERM. |
| PROD. <i>J. L. Espar</i>         | 6-23-78   |                |
| SCALE 2/1                        | SIZE CODE | NUMBER         |
| SHT. 1 OF 3                      | D         | JA 5414001-0-0 |
| NEXT HIGHER ASSY. B-DD-5414001-0 | REV       | A              |



"THIS DRAWING AND SPECIFICATIONS HEREIN ARE THE PROPERTY OF DIGITAL EQUIPMENT CORPORATION AND SHALL NOT BE REPRODUCED OR COPIED OR USED IN WHOLE OR IN PART AS THE BASIS FOR THE MANUFACTURE OR SALE OF ITEMS WITHOUT WRITTEN PERMISSION. COPYRIGHT © 1978 DIGITAL EQUIPMENT CORPORATION"

| REVISIONS |           |      |
|-----------|-----------|------|
| CHK       | CHANGE NO | REV. |
|           |           |      |

|                      |           |             |      |
|----------------------|-----------|-------------|------|
| TITLE                | SIZE CODE | NUMBER      | REV. |
| LAI20 KEYBOARD TERM. | DUA       | 5414001-0-0 | A    |
| SCALE                | SHEET     | OF          | DIST |
| 2/1                  | 2         | 3           | MR   |

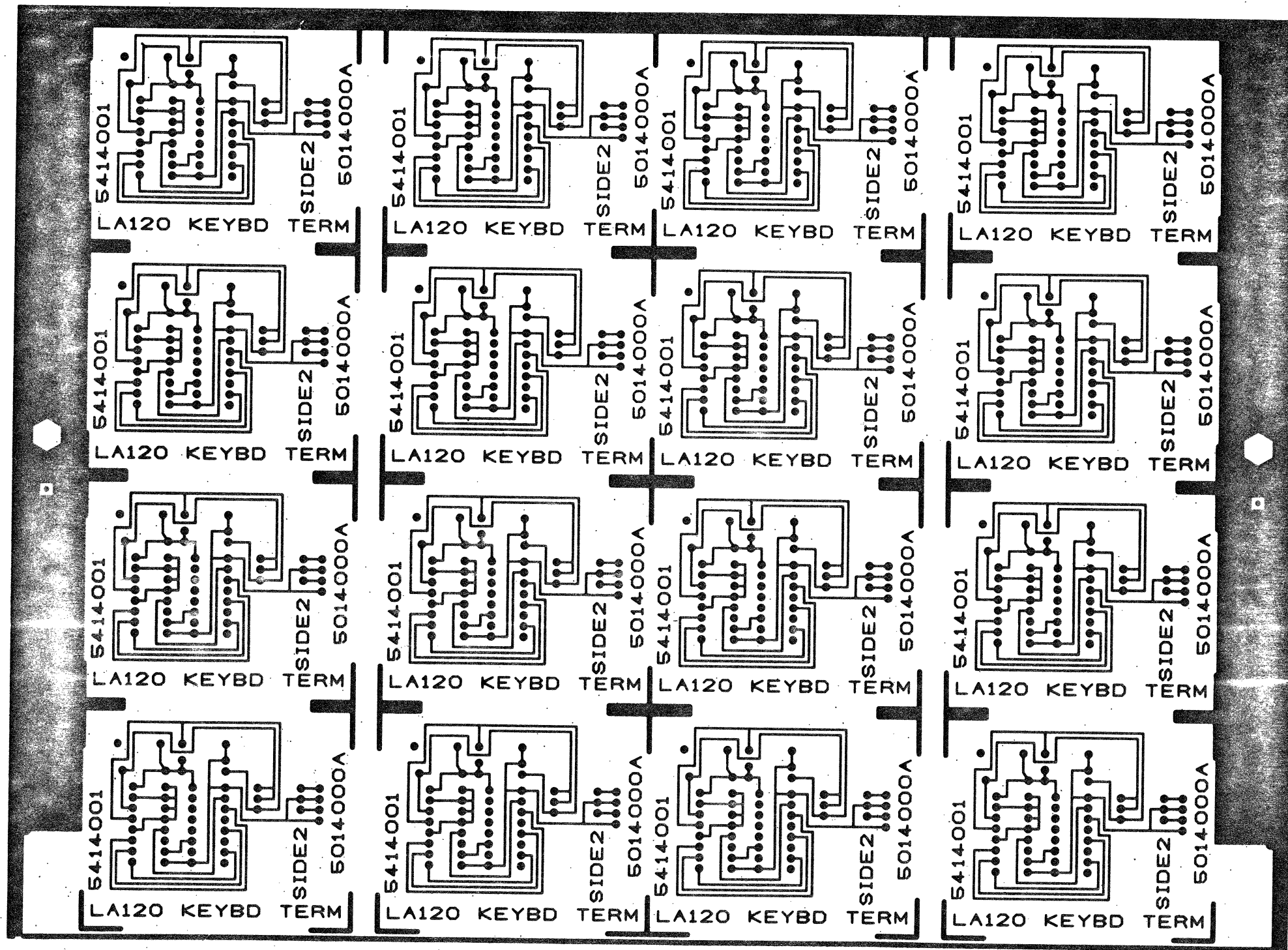
DUA 5414001-0-0 A

THIS DRAWING AND SPECIFICATIONS, HEREIN, ARE THE PROPERTY OF DIGITAL EQUIPMENT CORPORATION, AND SHALL NOT BE REPRODUCED OR COPIED OR USED IN WHOLE OR IN PART AS THE BASIS FOR THE MANUFACTURE OR SALE OF ITEMS WITHOUT WRITTEN PERMISSION. COPYRIGHT © 1978 DIGITAL EQUIPMENT CORPORATION

SIZE CODE DUA 5414001-0-0 2

D  
C  
B  
A

D  
C  
B  
A



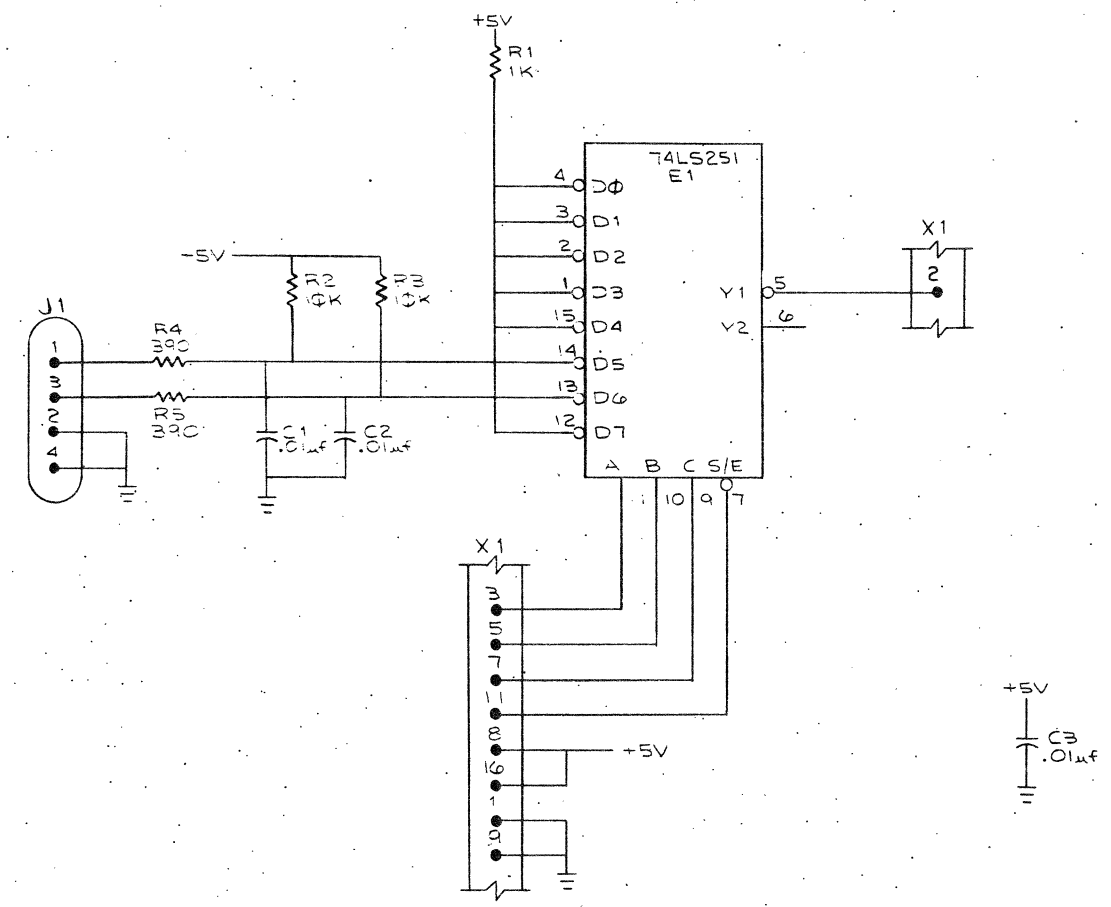
| REVISIONS |           |     |
|-----------|-----------|-----|
| CHK       | CHANGE NO | REV |
|           |           |     |

|       |                     |           |     |        |             |       |    |
|-------|---------------------|-----------|-----|--------|-------------|-------|----|
| TITLE | LA120 KEYBOARD TERM | SIZE CODE | DUA | NUMBER | 5414001-0-0 | REV.  | A  |
| SCALE | 2/1                 | SHEET     | 3   | OF     | 3           | DIST. | MR |

8 7 6 5 4 3 2 1

DEC 1978 NO 000 117

"THIS DRAWING AND SPECIFICATIONS, HEREIN, ARE THE PROPERTY OF DIGITAL EQUIPMENT CORPORATION AND SHALL NOT BE REPRODUCED OR COPIED OR USED IN WHOLE OR IN PART AS THE BASIS FOR THE MANUFACTURE OR SALE OF ITEMS WITHOUT WRITTEN PERMISSION.  
 COPYRIGHT © 1978, DIGITAL EQUIPMENT CORPORATION"



| REV. | CHANGE NO. | REVISIONS |
|------|------------|-----------|
|      |            |           |
|      |            |           |
|      |            |           |

|                           |           |               |                      |             |
|---------------------------|-----------|---------------|----------------------|-------------|
| DRN: <i>W. Cantor</i>     | 25078     | FIRST USED ON | LAI20                | digital     |
| CHK: <i>D. Blum</i>       | 1 Dec 78  | TITLE         | LAI20 KEYBOARD TERM. |             |
| ENG: <i>D. Blum</i>       | 1 Dec 78  | SCALE         | + +                  |             |
| PROJ. ENG: <i>D. Blum</i> | 1 Dec 78  | SHEET         | OF                   | 1           |
| PROD: <i>J. Smith</i>     | 23 FEB 79 | DIST.         | MR                   | 1           |
| NEXT HIGHER ASSY.         |           | SIZE          | CODE                 | NUMBER      |
| B-DD-5414001-0            |           | D             | CS                   | 5414001-0-1 |